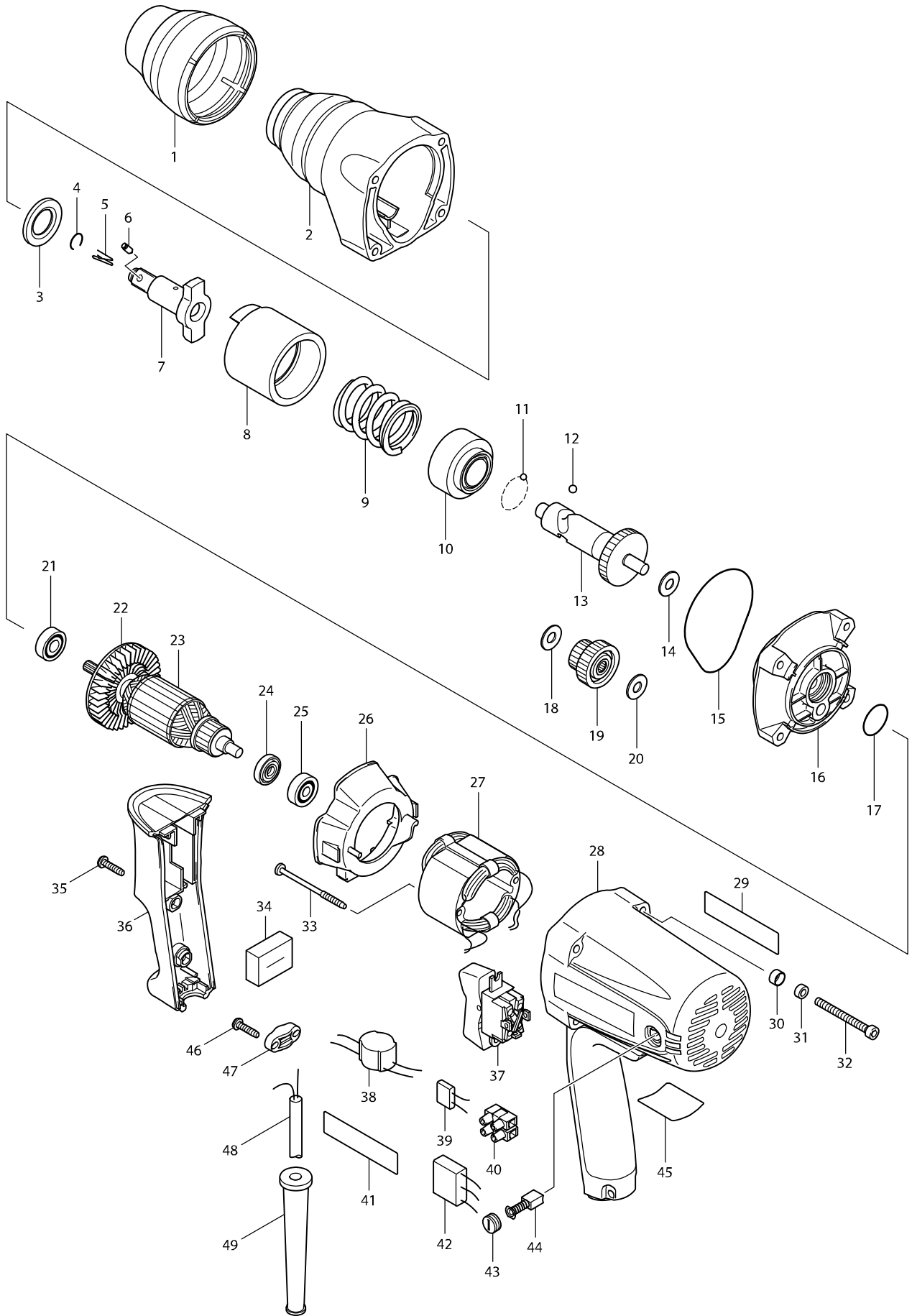


모델번호 TW0350 IMPACT WRENCH



**모델명 : TW0350**

도번	부품코드	품명	단위
001	421837-6	BUMPER	EA
002	153623-4	HAMMER CASE COMPLETE	PC
003	267268-3	FLAT WASHER 19	PC
004	231907-1	RING SPRING 10	PC
007	324406-1	ANVIL	EA
007A	326983-9	ANVIL	EA
008	324336-6	HAMMER	EA
009	233383-5	COMPRESSION SPRING 28	EA
010	313115-7	SPRING HOLDER	EA
011	216008-6	STEEL BALL 4	PC
012	216007-8	STEEL BALL 6.4	PC
013	324338-2	SPINDLE	EA
014	253139-0	FLAT WASHER 8	PC
015	421838-4	SEAL RING	PC
016	153624-2	HAMMER CASE COVER COMPLETE	PC
017	213373-4	O RING 22	PC
018	253139-0	FLAT WASHER 8	PC
019	153626-8	SPUR GEAR 19-41 COMPLETE	PC
020	253139-0	FLAT WASHER 8	PC
021	210024-0	BALL BEARING 608 2RS	PC
022	241884-9	FAN 60	PC
023	515263-0	ARMATURE ASSY 220-240V	PC
024	681614-0	INSULATION WASHER	EA
025	210025-8	BALL BEARING 627LLB	PC
026	418180-2	BAFFLE PLATE	PC
027	528179-0	FIELD ASSY 220-240V	EA
028A	153625-0	MOTOR HOUSING	PC.
029	819064-1	MAKITA MARK	EA
030	253929-1	CUP WASHER 5	EA
031	262001-8	URETHANE RING 5	EA
032	266331-9	HEX. SOCKET HEAD BOLT M5X50	PC
033	266091-3	TAPPING SCREW 4X50	PC
035	265995-6	TAPPING SCREW 4X18	EA
036	418179-7	HANDLE COVER	PC
037	651572-4	SWITCH SL220SD-19	PC
038	646325-4	LINE COIL	PC
039	646755-9	RESISTOR	PC
041	819064-1	MAKITA MARK	EA
042	645253-0	NOISE SUPPRESSOR	EA
043	643550-8	BRUSH HOLDER CAP 5-8	EA
044C	B-80391	CARBON BRUSH CB-411A	SET
045	850644-4	NAME PLATE TW0350	EA
046	265995-6	TAPPING SCREW 4X18	EA
047	687052-4	STRAIN RELIEF	EA
048	665865-3	POWER SUPPLY CORD 1.0-2-2.5(굵은선)	PC
049	682566-8	CORD GUARD 10	PC
A02	134841-3	SOCKET 24-45 ASSY	EA