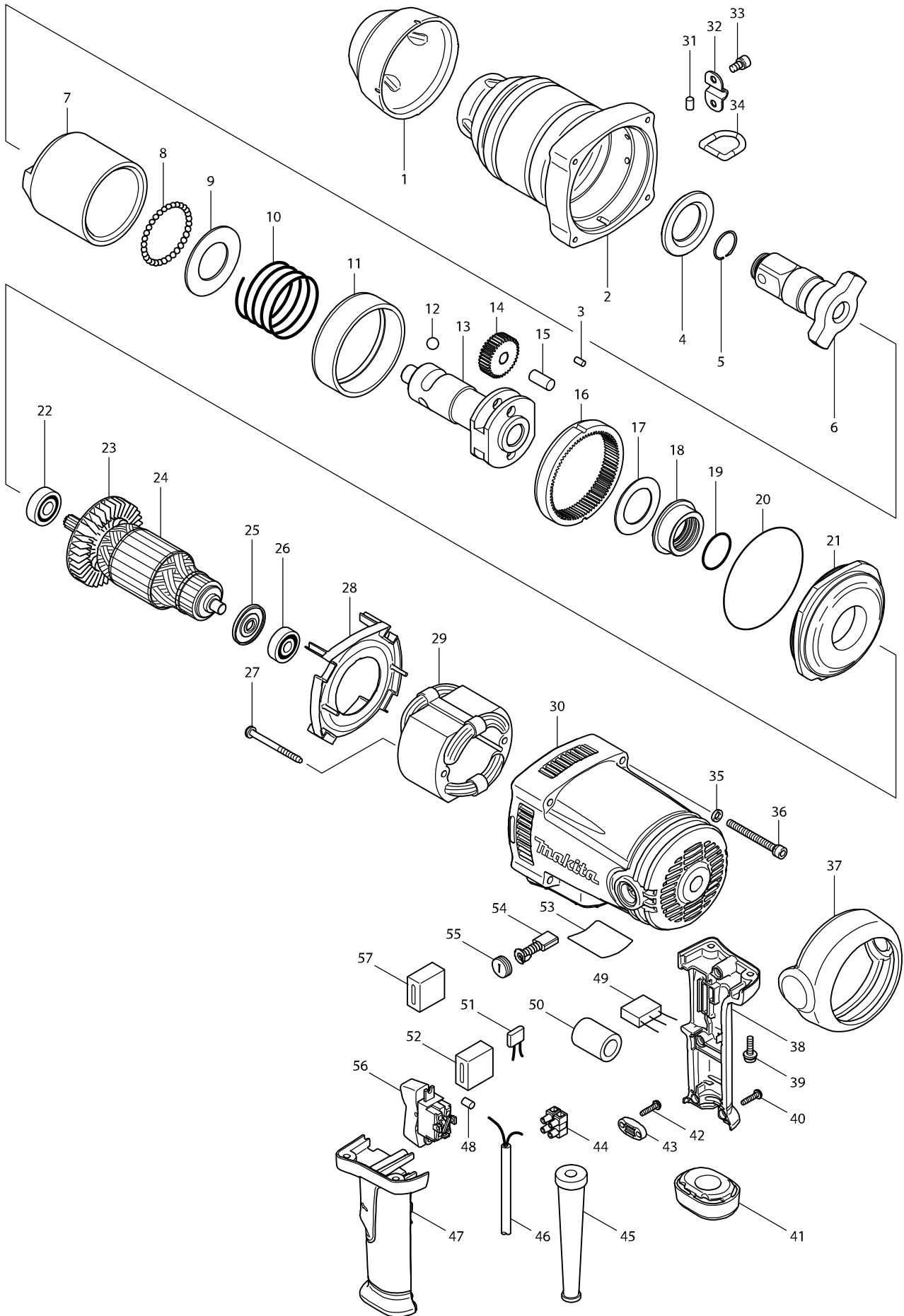


모델번호 TW1000 IMPACT WRENCH



**모델명 : TW1000**

도번	부품코드	품명	단위
001	421895-2	FRONT BUMPER	EA
002	154555-8	HAMMER CASE COMPLETE	EA
003	256253-1	PIN 5	PC
004	253909-7	FLAT WASHER 35	EA
005	231921-7	RING SPRING 22	PC
006	325587-4	ANVIL	EA
007	325415-3	HAMMER	EA
008	216002-8	STEEL BALL 4.8	EA
009	253712-6	FLAT WASHER 36	PC
010A	231211-8	COMPRESSION SPRING 36	PC
011	333112-7	RING 79	PC
012	216010-9	STEEL BALL 10.3	EA
013A	324666-5	SPINDLE	PC
014	227149-3	SPUR GEAR 37	EA
015	256051-3	PIN 10	EA
016	221815-4	INTERNAL GEAR 82	EA
017	267170-0	FLAT WASHER 34	PC
018	310154-8	BEARING BOX	EA
019	213459-4	O RING 32	EA
020	213855-6	O RING 95	EA
021	317841-0	HAMMER CASE COVER	EA
022	211137-0	BALL BEARING 6201LLU	EA
023	240003-4	FAN 80	PC
024	516918-0	ARMATURE ASSY 220V	EA
025	681665-3	INSULATION WASHER	EA
026	211066-7	BALL BEARING 6200LLB	EA
027	265345-5	HEX. BOLT M5X60	EA
028	418814-7	BAFFLE PLATE	EA
029	526148-5	FIELD ASSY 220V	EA
030	154556-6	MOTOR HOUSING COMPLETE	EA
030-1	643653-8	BRUSH HOLDER 6.5-13.5	EA
031	263005-3	RUBBER PIN 6	EA
032	345517-9	PLATE	EA
033	266157-9	HEX. SOCKET HEAD BOLT M6X12	EA
034	282018-5	D-RING	EA
035	941151-9	FLAT WASHER 6	EA
036	265538-4	HEX.SOCKET HEAD BOLT M6X60	EA
037	421896-0	REAR BUMPER	EA
038	183935-1	HANDLE SET	SET
039	911233-1	PAN HEAD SCREW M5X20	EA
040	265995-6	TAPPING SCREW 4X18	EA
041	421897-8	BUMPER	EA
042	265995-6	TAPPING SCREW 4X18	EA
043	687052-4	STRAIN RELIEF	EA
044	654531-7	TERMINAL BLOCK 2P	EA
045	682564-2	CORD GUARD	PC
046	665865-3	POWER SUPPLY CORD 1.0-2-2.5(굵은선)	PC
47	183935-1	HANDLE SET	SET
48	263005-3	RUBBER PIN 6	EA
49	645253-0	NOISE SUPPRESSOR	EA
50	685722-9	SPONGE SHEET	PC
51	646755-9	RESISTOR	PC
52	685725-3	SPONGE SHEET	PC
53	861265-7	TW1000 NAME PLATE	EA
054B	B-80329	CARBON BRUSH SET CB-153A	SET
Feb-00	643650-4	BRUSH HOLDER CAP 6.5-13.5	EA

**모델명 : TW1000**

도번	부품코드	품명	단위
56	651572-4	SWITCH SL220SD-19	PC
57	685725-3	SPONGE SHEET	PC
58	231212-6	COMPRESSION SPRING 49	PC
59	253713-4	FLAT WASHER 35	PC
A01	122727-3	SIDE GRIP ASSY	EA
A02	134872-2	SOCKET 41-80 ASSY	EA
A02-1	213570-2	O RING 44	PC
A02-2	256284-0	PIN 5	EA
A03	824737-3	PLASTIC CARRYING CASE	EA