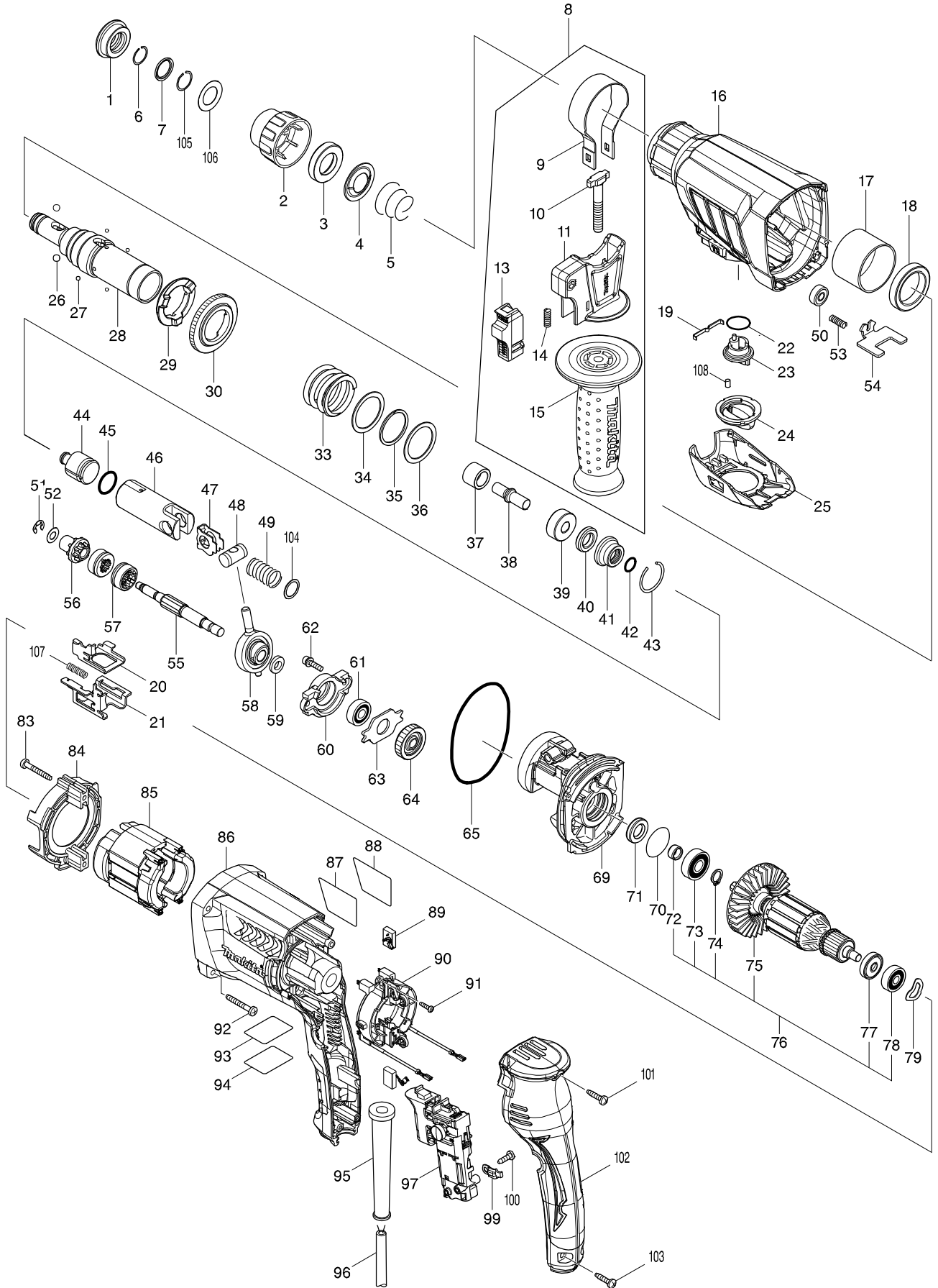


모델번호 HR2630 26MM COMBINATION HAMMER



**모델명 : HR2630**

도번	부품코드	품명	단위
1	286288-8	CAP 35	PC.
2	455393-4	CHUCK COVER	EA
3	325813-1	RING 21	PC.
4	346177-0	GUIDE WASHER	PC.
5	233916-6	CONICAL COMPRESSION SPRING	PC
6	233989-9	RING SPRING 14	PC.
7	346834-0	WASHER 16	EA
8	122878-2	GRIP ASSEMBLY	PC.
9	346181-9	GRIP SPRING 50	PC.
10	266349-0	SQUARE BOLT M8*50	EA
11	451539-0	GRIP BASE	PC.
13	141765-6	LOCK BUTTON COMPLETE	PC.
14	233360-7	COMPRESSION SPRING 4	PC
15	154935-8	GRIP 36 COMPLETE	PC.
16	142971-6	GEAR HOUSING COMPLETE	EA
016-1	213636-8	OIL SEAL 25	PC.
17	331890-3	CUP SLEEVE	PC.
18	211294-4	BALL BEARING 6806LLU	PC.
19	232286-0	LEAF SPRING	EA
20	346833-2	CHANGE PLATE B	EA
21	346832-4	CHANGE PLATE A	EA
22	213278-8	O RING 17	PC
23	455392-6	CHANGE LEVER	EA
24	455394-2	CHANGE LEVER CAP	EA
25	455391-8	CHANGE LEVER COVER	EA
26	216022-2	STEEL BALL 7.0	PC
27	216019-1	STEEL BALL 3	PC
28	142973-2	TOOL HOLDER COMPLETE	EA
028-1	213344-1	OIL SEAL 9	PC.
29	332139-4	DRIVING FLANGE	EA
30	227360-7	SPUR GER 51	EA
33	234148-8	COMPRESSION SPRING 31	PC.
34	267153-0	FLAT WASHER 30	PC.
35	257932-4	SPIRO LOCK WASHER 30	PC.
36	267153-0	FLAT WASHER 30	PC.
37	325782-6	SLEEVE 9A	PC.
38	325789-2	IMPACT BOLT A	PC.
39	325794-9	RING 10A	PC.
40	424267-0	CUSHION RING 12	PC.
41	325798-1	O-RING CASE A	PC.
42	213073-6	O RING 9	PC
43	233979-2	RING SPRING 28	PC.
44	325784-2	STRIKER	PC.
45	213258-4	O RING 17.5	PC.
46	310345-1	PISTON CYLINDER	PC.
47	346036-8	GUIDE PLATE	PC.
48	324215-8	PISTON JOINT	PC
49	234098-7	COMPRESSION SPRING 14	PC.
50	210028-2	BALL BEARING 606ZZ	PC
51	257336-0	STOP RING EXT U-6	PC.
52	253186-1	FLAT WASHER 7	EA
53	233360-7	COMPRESSION SPRING 4	PC
54	346831-6	LOCK PLATE	EA
55	326448-1	CAM SHAFT	EA
56	227359-2	SPUR GEAR 10	EA
Feb-00	332125-5	CLUTCH CAM	EA

**모델명 : HR2630**

도번	부품코드	품명	단위
58	219014-0	SWASH BEARING 10	PC
59	257321-3	RING 8	PC.
60	310344-3	BEARING BOX	PC.
61	211032-4	BALL BEARING 608ZZ	EA
62	266437-3	HEX. SOCKET HEAD BOLT M4X16	EA
63	285735-6	BEARING RETAINER	PC.
64	227719-8	HELICAL GEAR 26	PC.
65	213728-3	O-RING 68	PC.
69	141572-7	INNER HOUSING COMPLETE	PC.
069-1	443153-6	FELT	PC.
70	213407-3	O RING 26	PC
71	213678-2	OIL SEAL 12	PC.
72	262569-4	SLEEVE 9	PC.
73	211097-6	BALL BEARING 6000LLB	EA
74	961006-2	RETAINING RING S-10	PC
75	240121-8	FAN 65	PC.
76	515358-9	ARMATURE ASSEMBLY 220V	PC.
77	681652-2	INSULATION WASHER	EA
78	210023-2	BALL BEARING 627DDW	PC
79	267804-5	WAVE WASHER 15	PC
83	266361-0	TAPPING SCREW 4X30	PC.
84	451527-7	BAFFLE PLATE	PC.
85	626633-9	FIELD 220V	PC.
86	451536-6	MOTOR HOUSING	PC.
87	850M21-8	HR2630 NAME PLATE	EA
88	819390-8	CLEAR LABEL	PC.
89	195001-2	CARBON BRUSH CB-325	SET
90	638655-7	BRUSH HOLDER UNIT	PC.
91	266556-5	TAPPING SCREW 3X12	PC.
92	266361-0	TAPPING SCREW 4X30	PC.
93	850M25-0	HR2630 SERIAL NO. LABEL	EA
94	819389-3	CLEAR LABEL	PC.
95	682566-8	CORD GUARD 10	PC
96	696546-8	POWER SUPPLY CORD 1.0-2-4.0	EA
97	650625-6	SWITCH	PC.
99	687682-1	STRAIN RELIEF	PC.
100	266385-6	TAPPING SCREW 4X14	EA
101	266326-2	TAPPING SCREW 4X18	PC
102	451528-5	HANDLE COVER	PC.
103	266326-2	TAPPING SCREW 4X18	PC
104	267447-3	FLAT WASHER 14	PC.
105	233992-0	RING SPRING 15	PC.
106	267114-0	FLAT WASHER 17	PC.
107	234343-0	COMPRESSION SPRING 5	EA
108	263005-3	RUBBER PIN 6	EA
A01	195173-3	DUSTCUP SET	EA
A02	331886-4	DEPTH GAUGE	PC.
A03-1	824914-7	PLASTIC CARRYING CASE	PC.