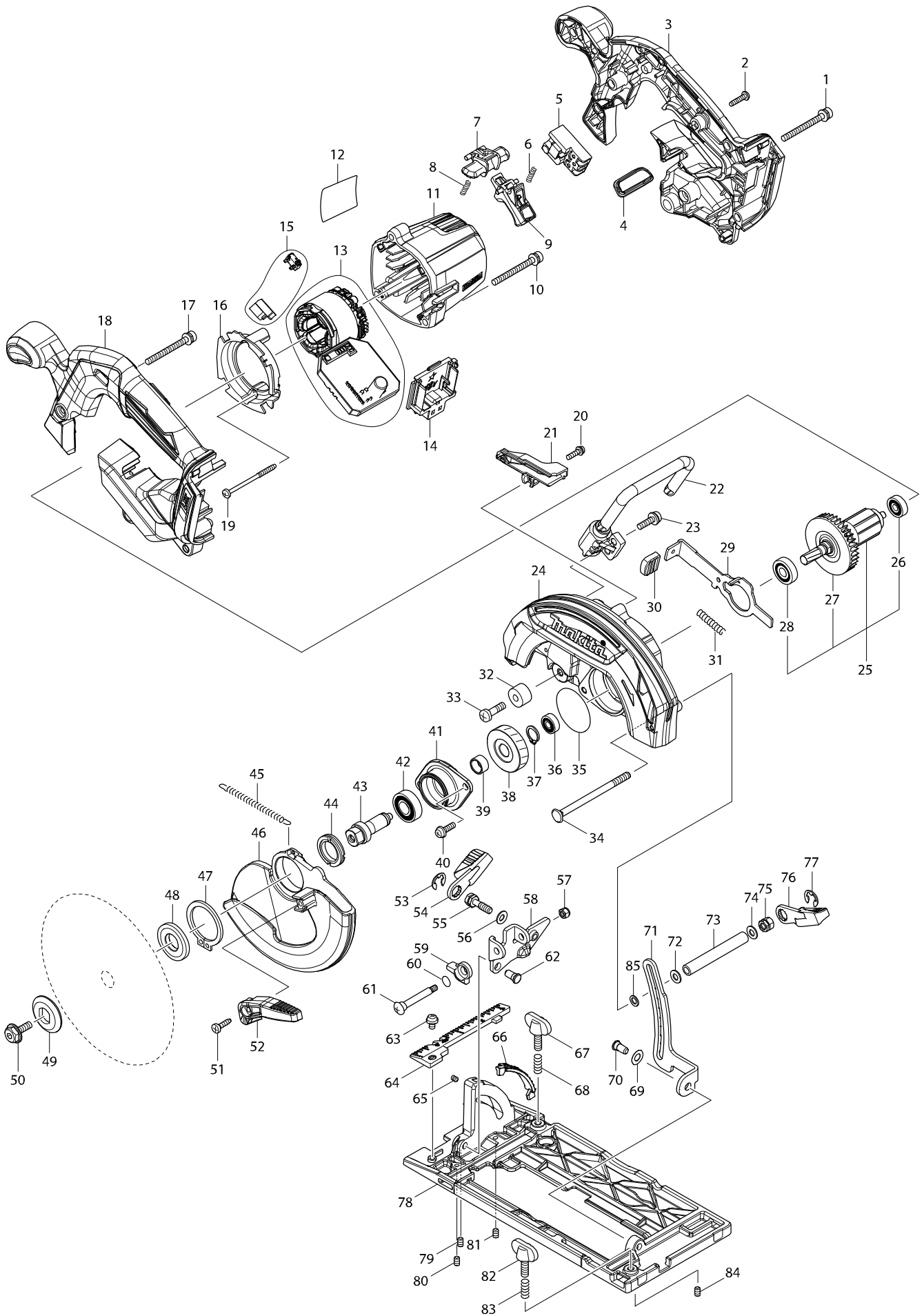


모델번호 DHS680 165MM CORDLESS CIRCULAR SAW



모델명 : DHS680

도번	부품코드	품명	단위
1	911263-2	PAN HEAD SCREW M5X40	EA
2	265995-6	TAPPING SCREW 4X18	EA
3	183A15-9	HANDLE SET	EA
003-1	263005-3	RUBBER PIN 6	EA
4	142948-1	INDICATION PLATE COMPLETE	EA
5	650734-1	SWITCH TG73BDS-2	EA
6	231469-9	COMPRESSION SPRING 4	PC
7	419664-3	LOCK OFF LEVER	EA
8	231469-9	COMPRESSION SPRING 4	PC
9	455480-9	SWITCH LEVER	EA
10	911263-2	PAN HEAD SCREW M5X40	EA
11	455437-0	MOTOR HOUSING	EA
12	850H69-0	DHS680 NAME PLATE	EA
13	632D90-5	STATOR UNIT	EA
14	644808-8	TERMINAL FOR BHP458	PC.
15	632D81-6	SWITCH UNIT	EA
16	455440-1	BAFFLE PLATE	EA
17	911263-2	PAN HEAD SCREW M5X40	EA
18	183A15-9	HANDLE SET	EA
018-1	263005-3	RUBBER PIN 6	EA
19	266091-3	TAPPING SCREW 4X50	PC
20	911128-8	PAN HEAD SCREW M4X16	EA
21	455483-3	DUCT	EA
22	123269-0	HOOK ASSEMBLY	EA
23	911233-1	PAN HEAD SCREW M5X20	EA
24	143256-3	BLADE CASE COMPLETE	EA
024-1	213953-6	O RING 24	PC
25	519359-9	ROTOR ASSY	EA
26	210022-4	BALL BEARING 626DDW	EA
27	240045-8	FAN 55	PC.
28	210051-7	BALLBEARING 609LLB	EA
29	346837-4	SHAFT LOCK	EA
30	286275-7	CAP	EA
31	233117-6	COMPRESSION SPRING 6	PC.
32	262552-1	RUBBER SLEEVE 6	PC
33	251247-1	PAN HEAD SCREW M6X20	PC
34	266194-3	FLAT HEAD SQUARE NECK BOLT M6	EA
35	213565-5	O RING 42	PC.
36	210028-2	BALL BEARING 606ZZ	PC
37	961052-5	RETAINING RING S-12	EA
38	227794-4	HELICAL GEAR 50	EA
39	257349-1	SLEEVE 12	EA
40	911223-4	PAN HEAD SCREW M5X12	EA
41	319212-7	BEARING BOX	EA
42	211131-2	BALL BEARING 6001DDW	PC
43	326459-6	SPINDLE	EA
44	285845-9	BEARING RETAINER 19-29	EA
45	231878-2	TENSION SPRING 4	EA
46	319211-9	SAFETY COVER	EA
47	961152-1	RETAINING RING (EXT)S-34	EA
48	224473-5	INNER FLANGE35	PC.
048A	224593-5	INNER FLANGE 35	EA
49	224409-4	OUT FLANGE35	EA
50	266924-2	HEX. SOCKET HEX. BOLT M6X18	EA
51	266034-5	TAPPING SCREW CT 4X16	EA
52	272282-6	LEVER 60	EA

모델명 : DHS680

도번	부품코드	품명	단위
53	257982-9	BOW STOP RING E-8	EA
54	272272-9	LEVER 45	EA
55	266735-5	HEX .BOLT M6*20	EA
56	941151-9	FLAT WASHER 6	EA
57	252103-8	HEX.LOCK NUT M5-8	PC
58	346836-6	ANGULAR GUIDE	EA
59	317986-4	STOPPER	EA
60	213062-1	O RING 9	PC
61	265084-7	#NAME?	PC.
62	256480-0	SHOULDER PIN 6-7	EA
63	911208-0	PAN HEAD SCREW M5X10	PC
64	455516-4	TOP GUIDE	EA
65	266318-1	HEX. SOCKET SET SCREW M4X6	EA
66	455517-2	BEVEL GUIDE	EA
67	251896-4	SCREW M5X20	EA
68	231007-7	COMPRESSION SPRING 6	EA
69	253058-0	FLAT WASHER 7	EA
70	256511-5	SHOULDER PIN 6-7	EA
71	346838-2	DEPTH GUIDE	EA
72	941151-9	FLAT WASHER 6	EA
73	332126-3	PIPE 6	EA
74	941151-9	FLAT WASHER 6	EA
75	264103-6	HEX. NUT M6	EA
76	272272-9	LEVER 45	EA
77	257982-9	BOW STOP RING E-8	EA
78	319210-1	BASE	EA
79	266436-5	H.S.SET SCREW(FLAT POINT)M5X8	EA
80	266436-5	H.S.SET SCREW(FLAT POINT)M5X8	EA
81	266436-5	H.S.SET SCREW(FLAT POINT)M5X8	EA
82	251896-4	SCREW M5X20	EA
83	231007-7	COMPRESSION SPRING 6	EA
84	266436-5	H.S.SET SCREW(FLAT POINT)M5X8	EA
85	253077-6	FLAT WASHER 6	PC
A01	783203-8	HEX. WRENCH 5	PC
A03	164095-8	GUIDE RULE	PC
A03Z	251896-4	SCREW M5X20	EA
A03Z	231007-7	COMPRESSION SPRING 6	EA
B01	196961-1	DUST NOZZLE SET	EA
B02	196952-2	Dust nozzle Joint For DHS680	EA