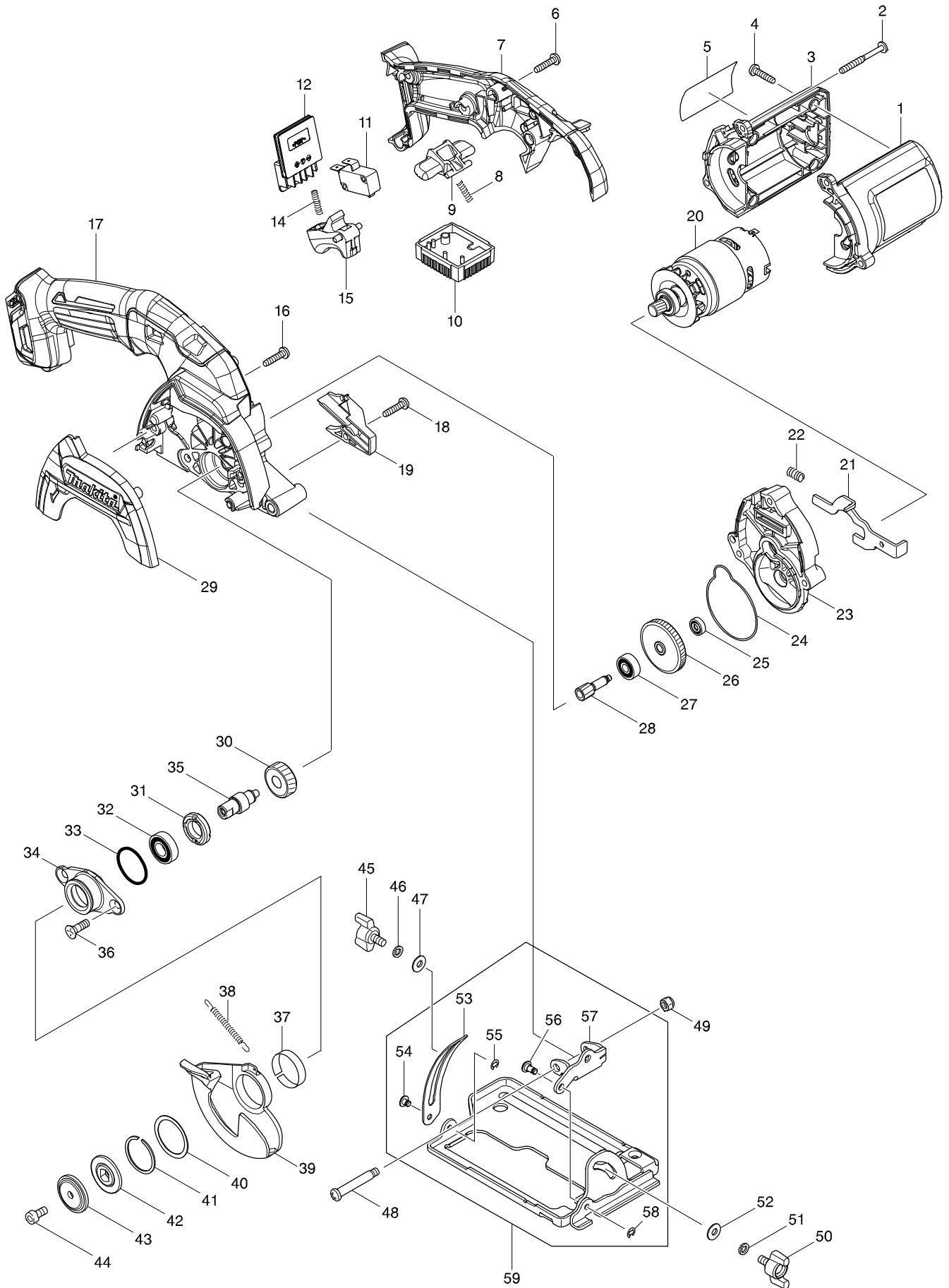


모델번호 HS301D 85MM CORDLESS CIRCULAR SAW



모델명 : HS301D

도번	부품코드	품명	단위
001	188941-1	MOTOR HOUSING SET	EA
002	266560-4	TAPPING SCREW 4X40	EA
003	188941-1	MOTOR HOUSING SET	EA
004	265995-6	TAPPING SCREW 4X18	EA
005	851M09-1	HS301D NAME PLATE	EA
006	265995-6	TAPPING SCREW 4X18	EA
007	183C54-1	HANDLE SET	EA
008	231469-9	COMPRESSION SPRING 4	PC
009	419664-3	LOCK OFF LEVER	EA
010	632F49-4	CONTROLLER UNIT	EA
011	650577-1	MICRO SWITCH	EA
012	644813-5	TERMINAL	EA
014	231469-9	COMPRESSION SPRING 4	PC
015	419665-1	SWITCH LEVER	EA
016	265995-6	TAPPING SCREW 4X18	EA
017	183C54-1	HANDLE SET	EA
018	265995-6	TAPPING SCREW 4X18	EA
019	452234-5	DUCT	EA
020	629885-1	DC MOTOR	EA
021	346337-4	SHAFT LOCK	EA
022	233117-6	COMPRESSION SPRING 6	PC.
23	140625-9	GEAR HOUSING COMPLETE	EA
023-1	213325-5	O RING 19	PC.
24	424358-7	PACKING	EA
25	210036-3	BALL BEARING 604ZZ	EA
26	227737-6	HELICAL GEAR 47	EA
27	210028-2	BALL BEARING 606ZZ	PC
28	227735-0	HELICAL GEAR 9B	EA
29	456252-5	BLADE COVER	EA
30	227736-8	HERICAL GEAR 28	EA
31	285847-5	BEARING RETAINER 14-23	EA
32	210069-8	BALL BEARING 6900DDW	EA
33	213435-8	O RING 26	PC
34	318660-7	BEARING BOX	EA
35	325983-6	SPINDLE	EA
36	265034-2	COUNTERSUNK HEAD SCREW M5X16	PC
37	345470-9	THICKNESS RING	EA
38	231867-7	TENSION SPRING 4	EA
39	452236-1	SAFETY COVER	EA
40	267127-1	FLAT WASHER 26	PC
41	257938-2	RETAINING RING(EXT) WR-26	EA
42	224435-3	INNER FLANGE 28	EA
43	224177-9	OUTER FLANGE 28	PC
44	922212-4	HEX.SOCKET HEAD BOLT M5X12	PC
45	265760-3	THUMB SCREW M5X10	PC.
46	942101-7	SPRING WAHSER 5	EA
47	941101-4	FLAT WASHER 5	EA
48	265056-2	PAN HEAD SCREW	EA
49	252103-8	HEX.LOCK NUT M5-8	PC
50	265760-3	THUMB SCREW M5X10	PC.
51	942101-7	SPRING WAHSER 5	EA
52	941101-4	FLAT WASHER 5	EA
53	346338-2	DEPTH GUIDE	EA
54	268004-0	PIN 4	PC
55	961017-7	STOP RING E-3	EA
56	268028-6	PIN 5	PC

모델명 : HS301D

도번	부품코드	품명	단위
57	346339-0	ANGULAR GUIDE	EA
58	961017-7	STOP RING E-3	EA
59	135416-1	BASE ASSEMBLY	EA
A01	783202-0	HEX.WRENCH 4	PC
A02	B-14607	T.C.T. SAW BLADE 85X15X20T	EA