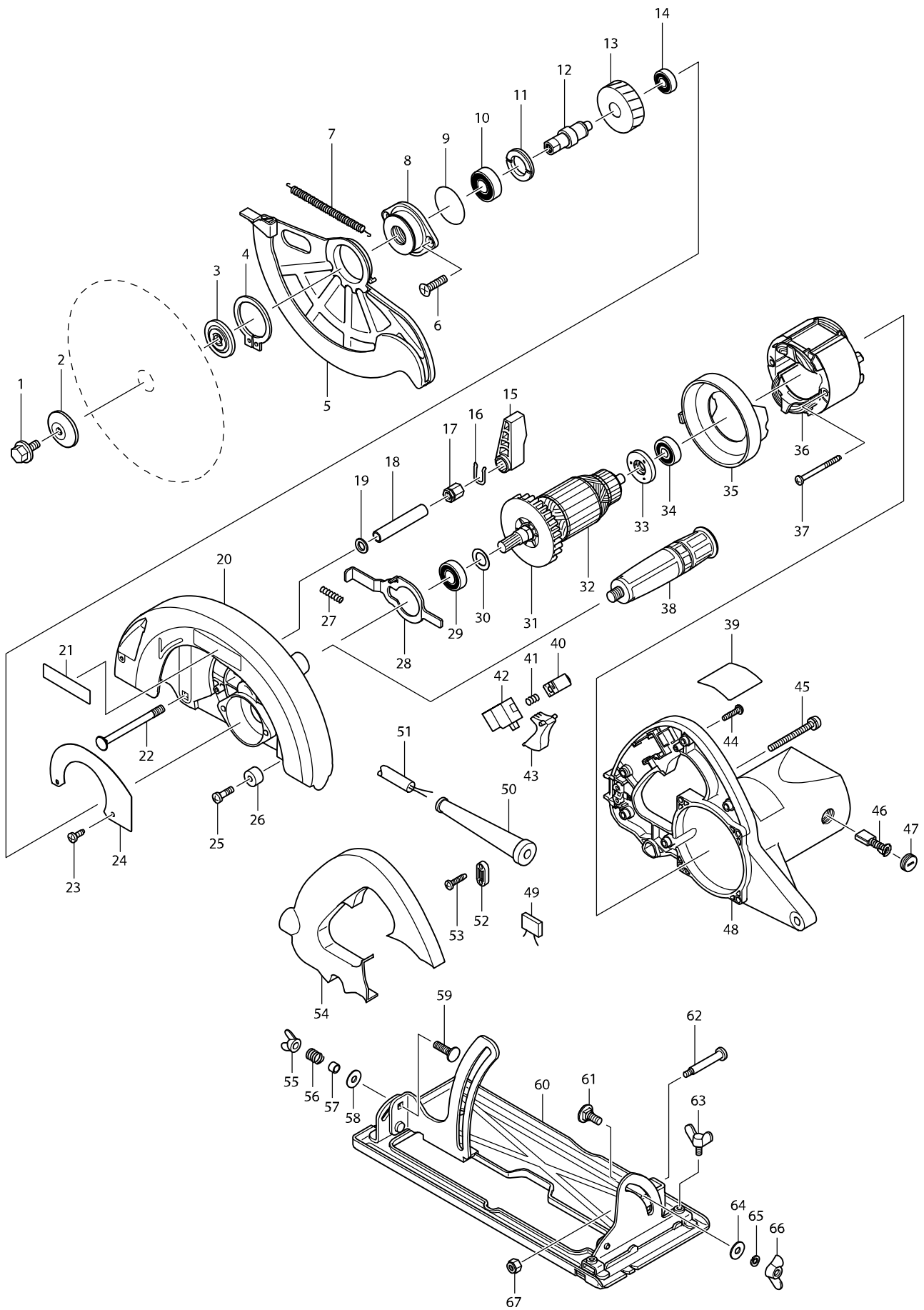


모델번호 N5900B CIRCULAR SAW 235MM



모델명 : N5900B

도번	부품코드	품명	단위
001	251644-1	HEX. FLANGE HEAD BOLT M8X20	EA
002	224301-4	OUTER FLANGE 42	PC
003	224369-0	INNER FLANGE 42	PC
004	961202-2	RETAINING RING S-45	PC
005	165374-7	SAFETY COVER	PC
006	265031-8	+ COUNTERSUNK HEAD SCREW M6X20	PC
007	231834-2	TENSION SPRING 5	PC
008	317744-8	BEARING BOX	PC
009	213560-5	O RING 44	PC
010	211228-7	BALL BEARING 6202LLU	EA
011	285809-3	BEARING RETAINER 23-36	PC
012	323955-5	SPINDLE	PC
013	226523-2	HELICAL GEAR 39	PC
014	211088-7	BALL BEARING 6000DDW (LLU)	PC
015	272230-5	LEVER 54	PC
016	231955-0	RING SPRING 12	PC
017	252134-7	HEX. NUT M8	PC
018	331568-8	PIPE 9	PC
019	941201-0	FLAT WASHER 8	EA
020B	153979-5	BLADE CASE	PC.
021	819064-1	MAKITA MARK	EA
022	266237-1	CAP SQUARE NECK BOLT M8X90	PC
023	266026-4	TAPPING SCREW BIND CT 4X12	EA
024	344845-9	COVER PLATE	PC
025	251247-1	+ PAN HEAD SCREW M6X20	PC
026	262552-1	RUBBER SLEEVE 6	PC
027	233264-3	COMPRESSION SPRING 5	PC
028	344844-1	SHAFT LOCK	PC
029	211236-8	BALL BEARING 6002DDW	PC
030	267164-5	FLAT WASHER 15	PC
031	240003-4	FAN 80	PC
032	516818-4	ARMATURE ASSY 220V	PC
033	681630-2	INSULATION WASHER	EA
034	211066-7	BALL BEARING 6200LLB	EA
035	417114-2	BAFFLE PLATE	PC
036	596208-7	FIELD ASSY 220V	PC
037	266044-2	TAPPING SCREW FLANGE PT 5X60	EA
038	152612-6	GRIP 36 COMPLETE	PC
039	850732-7	NAME PLATE N5900B	PC
040	417116-8	LOCK-ON BUTTON	PC
041	233284-7	COMPRESSION SPRING 5	PC
042	651984-1	SWITCH TG71B-2	PC
043	417115-0	SWITCH LEVER	PC
044	265995-6	TAPPING SCREW 4X18	EA
045	911273-9	PAN HEAD SCREW M5X50	PC
046C	B-80329	CARBON BRUSH SET CB-153A	SET
047	643650-4	BRUSH HOLDER CAP 6.5-13.5	EA
48	151848-4	MOTOR HOUSING COMPLETE	PC
49	645200-1	NOISE SUPPRESSOR	PC
50	682564-2	CORD GUARD	PC
51	665865-3	POWER SUPPLY CORD 1.0-2-2.5(굵은선)	PC
52	687052-4	STRAIN RELIEF	EA
53	265995-6	TAPPING SCREW 4X18	EA
54	417118-4	HANDLE COVER	PC
55	934301-3	WING NUT M6	EA
56	231139-0	COMPRESSION SPRING 9	PC

모델명 : N5900B

도번	부품코드	품명	단위
57	257669-3	SLEEVE 6	PC
58	253047-5	FLAT WASHER 6	PC
59	251919-8	CAP SQUARE NECK BOLT M6X20	EA
60	168389-3	BASE	PC
61	266330-1	FLAT HEAD SQ. NECK BOLT M6X16	PC
62	251221-9	#NAME?	PC
63	924306-1	WING BOLT M6X10	PC
64	253047-5	FLAT WASHER 6	PC
65	942151-2	SPRING WASHER 6	EA
66	934301-3	WING NUT M6	EA
67	252014-7	HEX.LOCK NUT M6-10	EA
A01	164367-1	GUIDE RULE	PC
A02	782016-4	OFFSET WRENCH 13	PC
B01	193068-4	Dust nozzle Joint For N5900B	EA