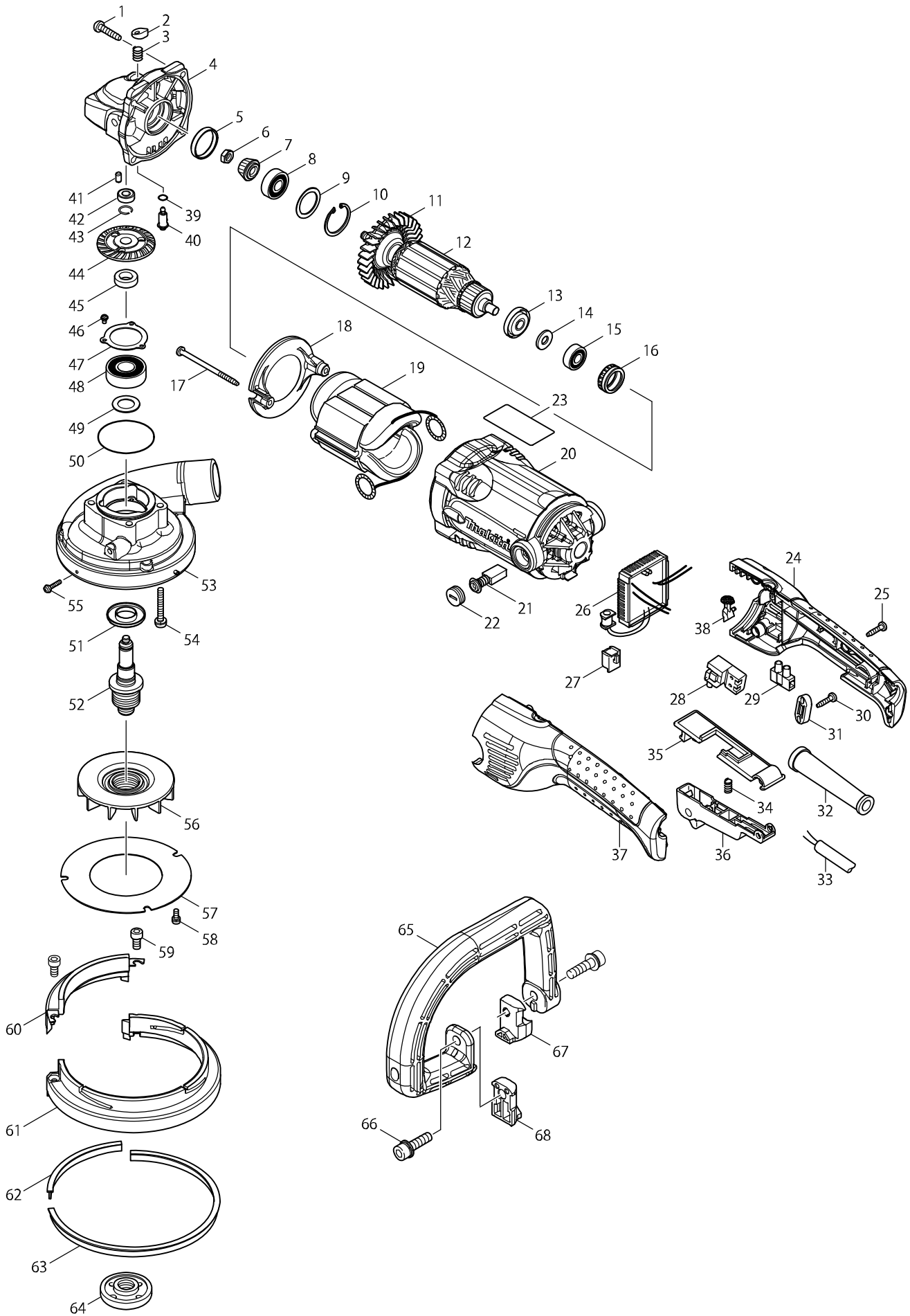


모델번호 PC5000C CONCRETE PLANER 125MM



모델명 : PC5000C

도번	부품코드	품명	단위
001	266459-3	TAPPING SCREW 5X25	PC.
002	417771-6	PIN CAP	PC
003	234057-1	COMPRESSION SPRING 8	EA
004	318158-4	GEAR HOUSING	EA
005	424051-3	RUBBER RING 26	EA
006	264010-3	HEX.NUT M7	EA
007	227520-1	SPIRAL BEVEL GEAR 11	EA
008	210059-1	BALL GEARING 6000DDW	PC
009	267352-4	FLAT WASHER 22	EA
010	962107-9	RETAINING RING(INT)R-30	EA
011	240094-5	FAN 70	EA
012	513798-5	ARMATURE ASSY 220V	PC.
013	681660-3	INSULATION WASHER	PC.
014	267281-1	FLAT WASHER 8	PC.
015	210005-4	BALL BEARING 608LLU(DDW)	EA
016	421720-7	RUBBER RING 22	PC.
017	266325-4	TAPPING SCREW 4X70	PC.
018	419961-7	BAFFLE PLATE	EA
019	525783-6	FIELD ASSY 220V	EA
019	654020-2	RING TERMINAL	PC
019	654501-6	CONNECTOR P-1.25	PC
020	140019-8	MOTOR HOUSING COMPLETE	PC.
020	643751-8	BUSH HOLDER 7-11	EA
021	194994-0	CARBON BRUSH SET CB-253	SET
022	643750-0	BRUSH HOLDER CAP	EA
023	866345-4	PC5000C NAME PLATE	PC.
024	188630-8	HANDLE SET	SET
025	266326-2	TAPPING SCREW 4X18	PC
026	631799-2	CONTROLLER	EA
027	418518-1	SLEEVE	PC.
028	651922-3	SWITCH TG71B	EA
029	654575-7	TERMINAL BLOCK	PC
030	266326-2	TAPPING SCREW 4X18	PC
031	687124-5	STRAIN RELIEF	PC
032	682574-9	CORD GUARD	PC
033	696538-7	POWER SUPPLY CORD 1.0-2-5.0	EA
034	233117-6	COMPRESSION SPRING 6	PC.
035	418519-9	SWITCH BASE	PC.
036	158401-7	SWITCH LEVER A COMPLETEGA5021C	EA
037	188630-8	HANDLE SET	SET
038	450184-8	LENZ	PC.
039	213977-2	O-RING 7	EA
040	256505-0	SHOULDER PIN 5	EA
041	263002-9	RUBBER PIN 4	EA
042	210033-9	BALL BEARING 696ZZ	PC.
043	233950-6	RING SPRING	EA
044	227521-9	SPIRAL BEVEL GEAR 35A	EA
45	257171-6	RING 12	PC.
46	911003-8	PAN HEAD SCREW M3X6	PC
47	285728-3	BEARING RETAINER 39	EA
48	211241-5	BALL BEARING 6202DDW	PC
49	253853-8	FLAT WASHER 15	EA
50	213624-5	O-RING 48	EA
51	345464-4	LABYRINTH RING	PC.
52	325625-2	SPINDLE	PC.
Feb-00	158914-8	SKIRT COMPLETE	PC.

모델명 : PC5000C

도번	부품코드	품명	단위
54	911256-9	PAN HEAD SCREW M5X35	PC
55	911024-0	PAN HEAD SCREW M3X14	PC.
56	240114-5	FAN 85	PC.
57	346045-7	SEPARATOR	PC.
58	911115-7	PAN HEAD SCREW M4X10	EA
59	922312-0	HEX. SOCKET HEAD BOLT M6X12	PC
60	424188-6	DUST COVER CAP	PC.
61	424187-8	DUST COVER	PC.
62	443145-5	BRUSH B	PC.
63	443144-7	BRUSH A	PC.
64	224554-5	LOCK NUT 14-45	PC.
65	416256-9	LOOP HANDLE	PC.
66	922453-2	HEX. SOCKET SCREW M8X30	EA
67	450189-8	SPACER A	EA
68	450190-3	SPACER B	EA
69	253828-7	FLAT WASHER 10	PC
A01	122853-8	Dust bag For PC5000C	EA
A02	410047-0	WRENCH HOLDER 5.6	PC
A03	782426-5	LOCK NUT WRENCH 35	PC.
A04	783203-8	HEX. WRENCH 5	PC
A05	140073-2	STEEL CARRYING CASE COMPLETE	PC.
A05	819351-8	MAKITA LOGO LABEL	PC.
A06	194921-7	BRUSH SET	PC.
A07	B-12295	OFFSET DIAMOND WHEEL 125	PC.