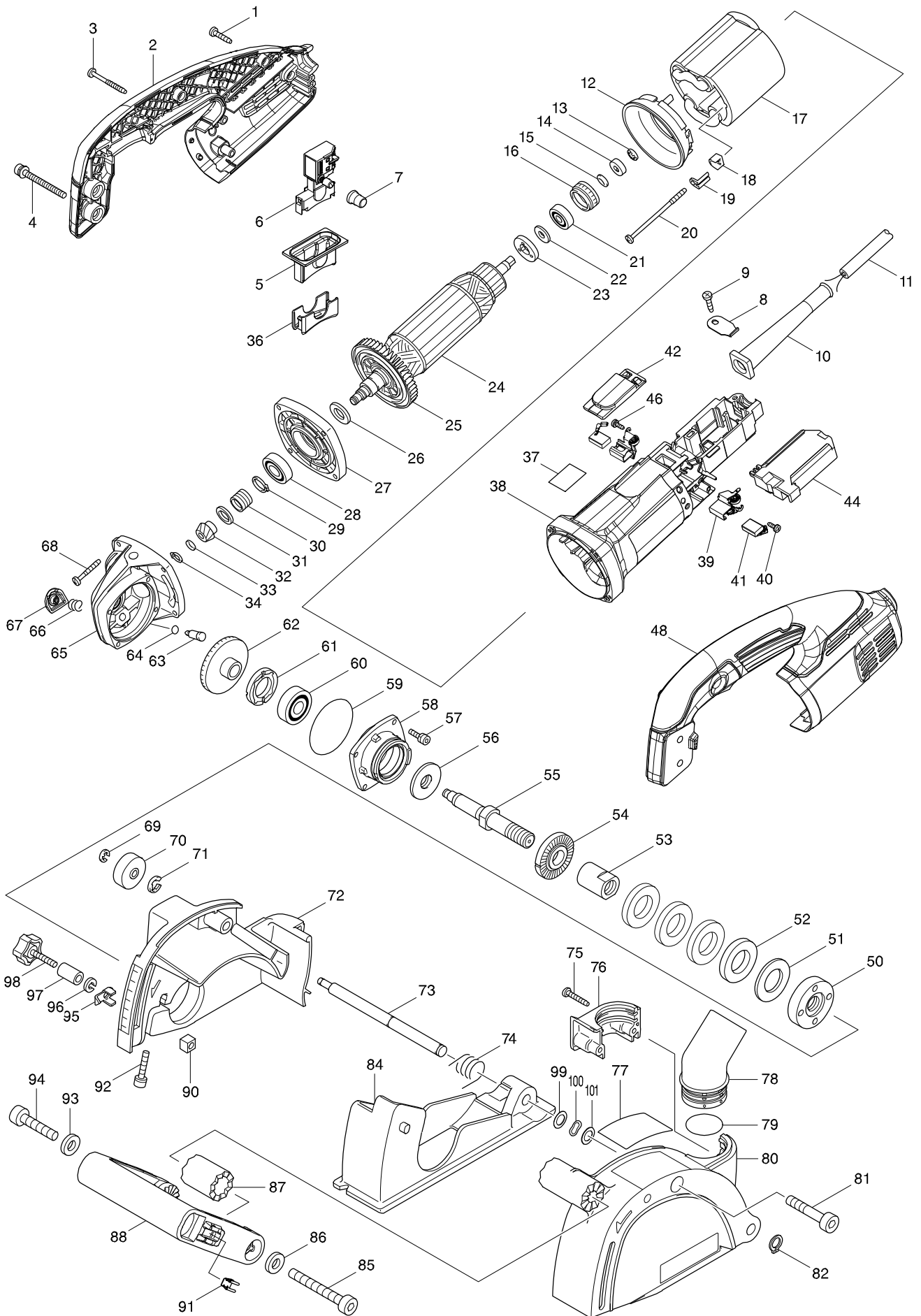


모델번호 SG1251 125MM(5")WALL CHASER



**모델명 : SG1251**

도번	부품코드	품명	단위
001	265995-6	TAPPING SCREW 4X18	EA
002	187942-6	HANDLE SET	EA
003	266048-4	TAPPING SCREW 4X40	PC
004	911263-2	PAN HEAD SCREW M5X40	EA
005	424457-5	DUST COVER	EA
006	650113-3	SWITCH SGEL115CDY-15	EA
007	421459-2	DUST COVER	PC.
008	687169-3	STRAIN RELIEF	PC
009	266192-7	TAPPING SCREW 4X14	PC
010	682573-1	CORD GUARD 10	PC.
011	696538-7	POWER SUPPLY CORD 1.0-2-5.0	EA
012	413076-2	BAFFLE PLATE	PC
013	259039-2	SELF LOCK 6	EA
014	688117-5	MAGNET SLEEVE	PC
015	267756-0	WAVE WASHER 6	PC
016	421738-8	LABYRINTH RUBBER RING 22	PC
017	626678-7	FIELD 220-240V	EA
018	417237-6	INSULATION COVER	PC
019	344871-8	RETAINER	PC
020	266258-3	TAPPING SCREW 4X70	EA
021	210027-4	BALL BEARING 627DDW	PC
022	253823-7	FLAT WASHER 7	EA
023	681656-4	INSULATION WASHER	PC
024	515208-8	ARMATURE ASSY 220-240V	PC
025	240033-5	FAN 57	PC
026	253084-9	FLAT WASHER 12	PC
027	317359-1	GEAR HOUSING COVER	PC
028	210105-0	BALL BEARING 6001LLU	EA
029	961052-5	RETAINING RING S-12	EA
030	233901-9	LOCK SPRING 12	PC
031	253052-2	FLAT WASHER 12	PC
032	227429-7	SPIRAL BEVEL GEAR 9	PC
033	253077-6	FLAT WASHER 6	PC
034	961002-0	RETAINING RING S-6	EA
036	452942-8	SWITCH COVER	EA
037	804W32-5	SJS MARK LABEL	EA
038	455385-3	MOTOR HOUSING	EA
039	643760-7	BRUSH HOLDER	PC
040	266256-7	TAPPING SCREW PT3X10	PC
041	191978-9	A.C. CARBON BRUSH CB-318	SET
041A	194999-0	CARBON BRUSH CB-318	SET
042	455386-1	MOTOR HOUSING COVER	EA
044	620336-7	CONTROLLER	EA
046	266256-7	TAPPING SCREW PT3X10	PC
048	187942-6	HANDLE SET	EA
050	224577-3	LOCK NUT 14-45	PC
051	331661-8	SPACER 3	PC
52	331662-6	SPACER 6	PC
53	257732-2	SLEEVE 14	PC
54	224415-9	INNER FLANGE 42	EA
55	324393-4	SPINDLE	PC
56	415300-9	LABYRINTH RING	PC
57	265490-6	HEX. SOCKET HEAD BOLT M4X16	PC
58	318302-3	BEARING BOX	EA
59	213673-2	O RING 52	PC
Feb-00	211129-9	BALL BEARING 6201LLU(DDW)	EA

**모델명 : SG1251**

도번	부품코드	품명	단위
61	285841-7	BEARING RETAINER	PC
62	227430-2	SPIRAL BEVEL GEAR 35	PC
63	256459-1	PIN	PC
64	213048-5	O RING 6	PC
65	153488-4	GEAR HOUSING COMPLETE	EA
66	233072-2	COMPRESSION SPRING 8	EA
67	418067-8	PIN CAP	EA
68	266257-5	TAPPING SCREW 4X28	PC
69	961011-9	STOP RING E-4	PC
70	257227-5	RING 6	PC
71	961014-3	STOP RING E-8	PC
72	153685-2	BLADE CASE COMPLETE	PC
73	324392-6	SHOULDER SHAFT	PC
74	231655-2	TORSION SPRING 11	PC
75	266040-0	TAPPING SCREW CT 4X25	PC
76	418390-1	DUST COVER	PC
77	850F04-6	SG1251 NAME PLATE	EA
78	416741-2	ELBOW	PC
79	213423-5	O RING 30	PC
80	317725-2	COVER	EA
81	922466-3	HEX.SOCKET HEAD BOLT M8X45	PC
82	961006-2	RETAINING RING S-10	PC
84	317723-6	BASE	PC
85	922487-5	HEX. SOCKET HEAD BOLT M8X65	PC
86	941201-0	FLAT WASHER 8	EA
87	223145-9	CAM	PC
88	417665-5	FRONT GRIP	PC
90	252185-0	SQUARE NUT M6	PC
91	344391-2	BIT HOLDER	PC
92	922251-4	HEX. SOCKET HEAD BOLT M5X30	EA
93	941201-0	FLAT WASHER 8	EA
94	922462-1	HEX. SOCKET HEAD BOLT M8X40	PC
95	345364-8	INDICATOR	PC
96	942151-2	SPRING WASHER 6	EA
97	257731-4	SLEEVE 7	PC
98	251897-2	SCREW M6X33	PC
99	253310-6	THIN WASHER 10	PC
100	267783-7	WAVE WASHER 10	PC
101	253310-6	THIN WASHER 10	PC
A01	A-80438	DIAMOND WHEEL 125X20X22.23	PC
A02	782407-9	LOCK NUT WRENCH 35	EA
A03	783204-6	HEX. WRENCH 6	PC