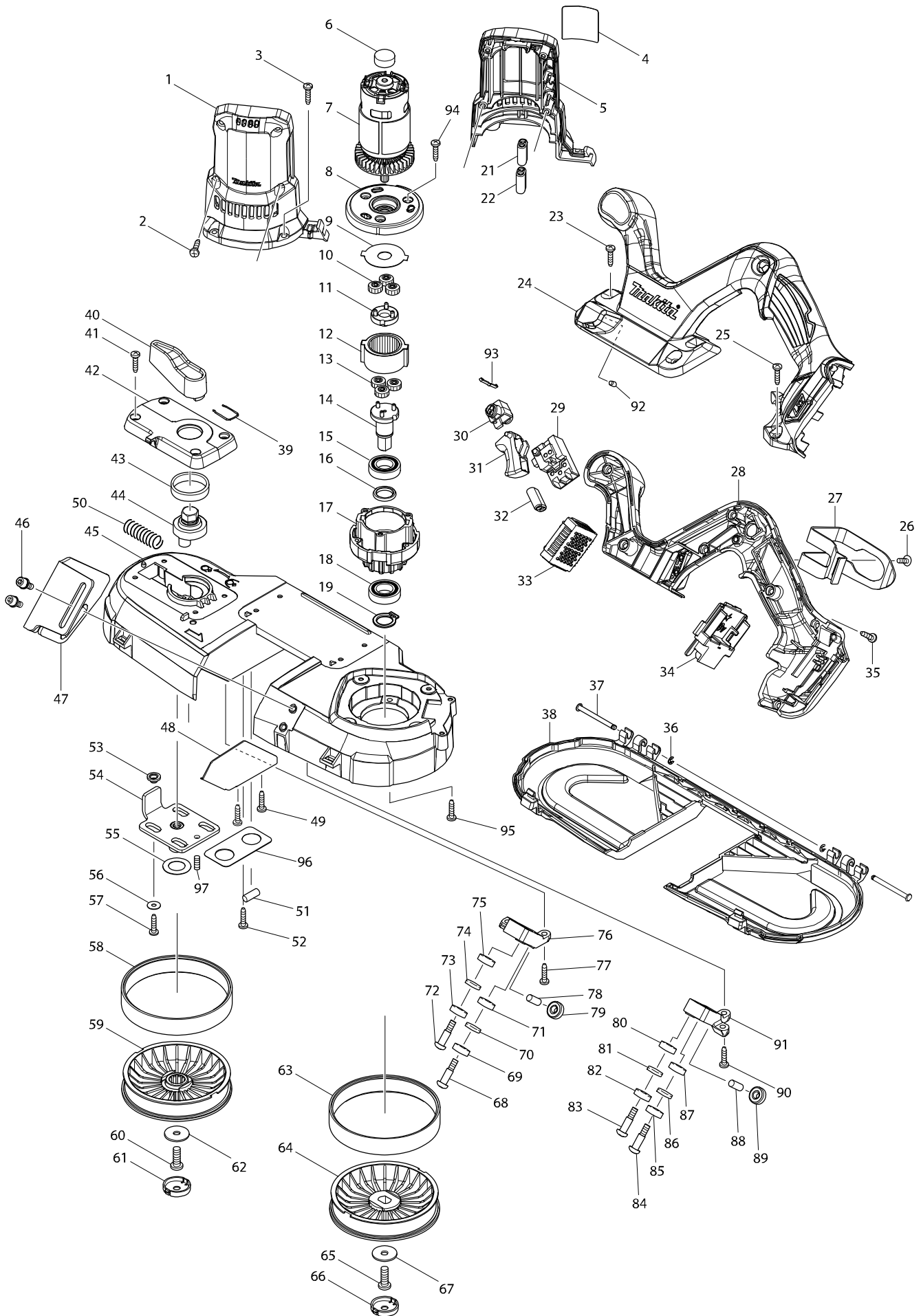


모델번호 DPB181 CORDLESS PORTABLE BAND SAW



**모델명 : DPB181**

도번	부품코드	품명	단위
1	187711-5	MOTOR HOUSING SET	EA
2	266326-2	TAPPING SCREW 4X18	PC
3	266326-2	TAPPING SCREW 4X18	PC
4	814X89-4	DPB181 NAME PLATE	EA
5	187711-5	MOTOR HOUSING SET	EA
6	421940-3	CAP	EA
7	629992-0	DC MOTOR	EA
8	454650-7	GEAR HOUSING COVER	EA
9	267855-8	LOCK WASHER	EA
10	227331-4	SPUR GEAR 14	EA
11	142355-8	SPUR GEAR 7 COMPLETE	EA
12	227332-2	INTERNAL GEAR 36	EA
13	227331-4	SPUR GEAR 14	EA
14	142356-6	SPINDLE COMPLETE	EA
15	211242-3	BALL BEARING 6902ZZ	PC
16	257348-3	RING 15	EA
17	455790-4	GEAR HOUSING	EA
18	211242-3	BALL BEARING 6902ZZ	PC
19	961055-9	RETAINING RING S-15	PC
21	688172-7	LINE FILTER	PC.
22	688172-7	LINE FILTER	PC.
23	266326-2	TAPPING SCREW 4X18	PC
24	187762-8	HANDLE SET	EA
25	266326-2	TAPPING SCREW 4X18	PC
28	187762-8	HANDLE SET	EA
29	650705-8	SWITCH TG73BDS-1	EA
30	419504-5	LOCK OFF BUTTON	PC.
31	454651-5	SWITCH LEVER	EA
32	688172-7	LINE FILTER	PC.
33	539219-9	CONTROLLER ASSEMBLY	EA
34	643899-6	TERMINAL	EA
35	266326-2	TAPPING SCREW 4X18	PC
36	961017-7	STOP RING E-3	EA
37	256689-4	PIN 4	PC
38	197222-2	WHEEL COVER SET	EA
39	231955-0	RING SPRING 12	PC
40	272230-5	LEVER 54	PC
41	266326-2	TAPPING SCREW 4X18	PC
42	454614-1	LEVER HOLDER	EA
43	214408-4	PLANE BEANING30	EA
44	326351-6	LEVER SHAFT	EA
45	143270-9	FRAME COMPLETE	EA
46	922218-2	HEX SOCKET HEAD BOLT M5*14	EA
47	346728-9	SOTPPER PLATE	EA
48	346729-7	PLATE	EA
49	266326-2	TAPPING SCREW 4X18	PC
50	234313-9	COMPRESSION SPRING 9	EA
51	256033-5	PIN 6	EA
52	266326-2	TAPPING SCREW 4X18	PC
53	343494-9	SLEEVE 5	PC
54	165738-5	SLIDER PLATE	EA
55	267164-5	FLAT WASHER 15	PC
56	253874-0	FLAT WASHER 4	PC
57	266326-2	TAPPING SCREW 4X18	PC
58	424589-8	RUBBER TIRE	EA
59	142358-2	WHEEL COMPLETE B	EA

**모델명 : DPB181**

도번	부품코드	품명	단위
60	265484-1	HEX. SOCKET HEAD BOLT M6X18	PC
61	454730-9	CAP	EA
62	253010-8	FLAT WASHER 6	PC
63	424589-8	RUBBER TIRE	EA
64	142357-4	WHEEL COMPLETE A	EA
65	265484-1	HEX. SOCKET HEAD BOLT M6X18	PC
66	454730-9	CAP	EA
67	253010-8	FLAT WASHER 6	PC
68	251337-0	PAN HEAD SCREW M5	EA
69	210033-9	BALL BEARING 696ZZ	PC.
70	941152-7	FLAT WASHER 6	EA
71	210033-9	BALL BEARING 696ZZ	PC.
72	251337-0	PAN HEAD SCREW M5	EA
73	210033-9	BALL BEARING 696ZZ	PC.
74	941152-7	FLAT WASHER 6	EA
75	210033-9	BALL BEARING 696ZZ	PC.
76	319075-1	UPPER HOLDER 42	EA
77	266326-2	TAPPING SCREW 4X18	PC
78	256033-5	PIN 6	EA
79	210033-9	BALL BEARING 696ZZ	PC.
80	210033-9	BALL BEARING 696ZZ	PC.
81	941152-7	FLAT WASHER 6	EA
82	210033-9	BALL BEARING 696ZZ	PC.
83	251337-0	PAN HEAD SCREW M5	EA
84	251337-0	PAN HEAD SCREW M5	EA
85	210033-9	BALL BEARING 696ZZ	PC.
86	941152-7	FLAT WASHER 6	EA
87	210033-9	BALL BEARING 696ZZ	PC.
88	256033-5	PIN 6	EA
89	210033-9	BALL BEARING 696ZZ	PC.
90	266326-2	TAPPING SCREW 4X18	PC
91	319074-3	LOWER HOLDER 42	EA
92	263002-9	RUBBER PIN 4	EA
93	232201-4	LEAF SPRING	PC
94	266326-2	TAPPING SCREW 4X18	PC
95	266326-2	TAPPING SCREW 4X18	PC
96	346798-8	PROTECTION PLATE	EA
97	266213-5	HEX.SOCKET HEAD SCREW M5X12	PC
A01	783202-0	HEX.WRENCH 4	PC
A02	196658-2	BAND SAW BLADE	EA