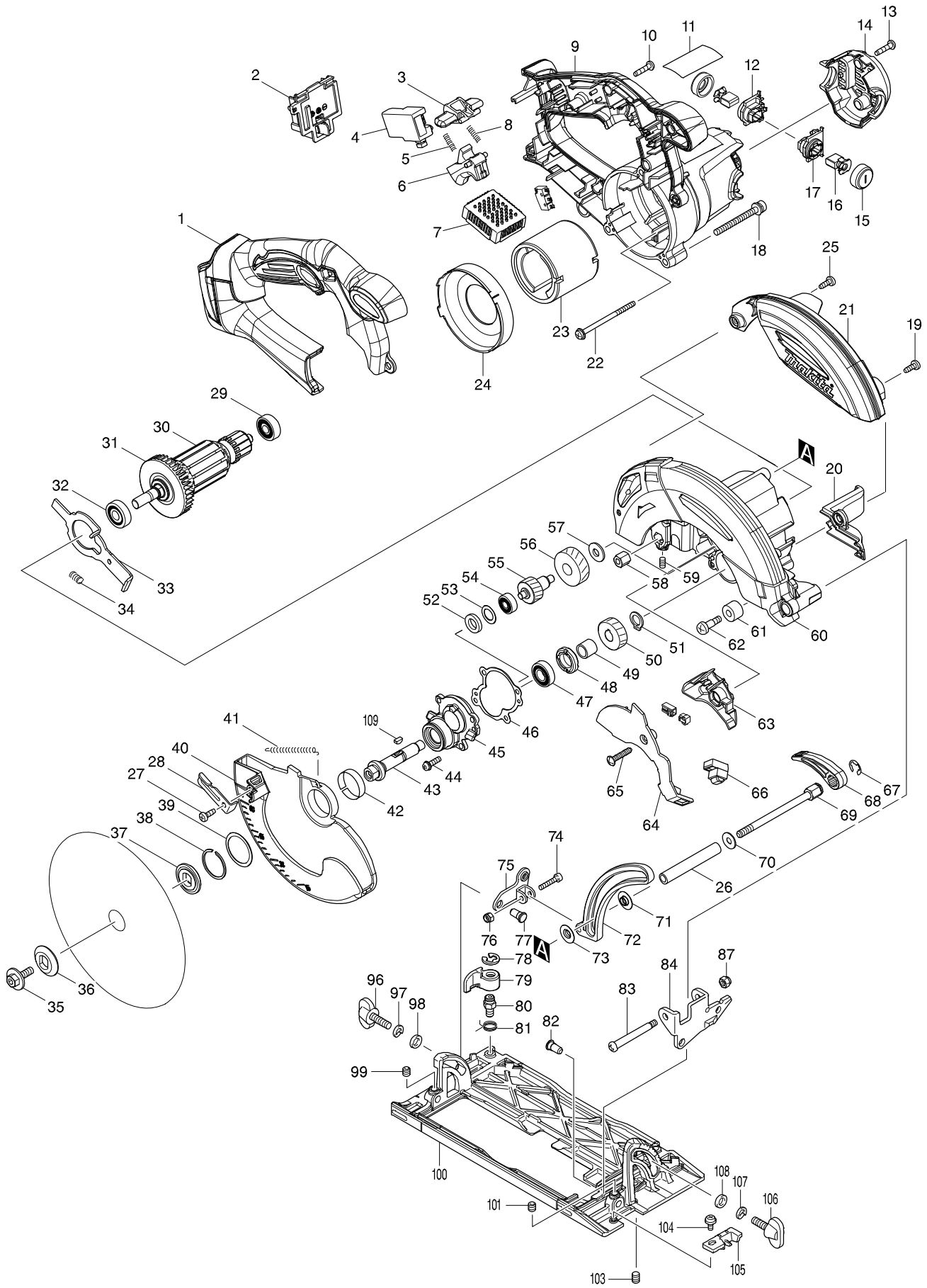


모델번호 DHS630 165MM CORDLESS CIRCULAR SAW



모델명 : DHS630Z

도번	부품코드	품명	단위
001	141237-1	HANDLE COVER COMPLETE	PC.
001-1	263005-3	RUBBER PIN 6	EA
002	644808-8	TERMINAL FOR BHP458	PC.
003	419664-3	LOCK OFF LEVER	EA
004	650631-1	SWITCH	PC.
005	231469-9	COMPRESSION SPRING 4	PC
006	419665-1	SWITCH LEVER	EA
007	620257-3	CONTROLLER	EA
007-1	620059-7	SWITCH UNIT	PC.
008	231469-9	COMPRESSION SPRING 4	PC
009	140984-1	MOTOR HOUSING COMPLETE	PC.
010	265995-6	TAPPING SCREW 4X18	EA
011	815J60-7	DHS630 NAME PLATE	EA
012	643889-9	BRUSH HOLDER	PC.
013	265995-6	TAPPING SCREW 4X18	EA
014	452787-4	REAR COVER	PC.
015	643941-3	BRUSH HOLDER CAP	EA
016	195022-4	CARBON BRUSH CB-441	SET
017	643882-3	BRUSH HOLDER	PC.
018	911258-5	PAN HEAD SCREW M5X35	PC
019	266026-4	TAPPING SCREW BIND CT 4X12	EA
020	452790-5	DUCT	PC.
021	452789-0	BLADE COVER	PC.
022	266292-3	TAPPING SCREW 4X65	PC
023	638571-3	YOKE UNIT	PC
024	452785-8	BAFFLE PLATE	PC.
025	266026-4	TAPPING SCREW BIND CT 4X12	EA
026	331947-0	PIPE 6	PC.
027	266020-6	TAPPING SCREW.FLANGE.PT4X12	PC
028	272270-3	LEVER 39	PC.
029	210023-2	BALL BEARING 627DDW	PC
030	519288-6	ARMATURE ASSEMBLY 18V	PC.
031	241869-5	FAN 55	PC
032	210051-7	BALLBEARING 609LLB	EA
033	344681-3	SHAFT LOCK	PC.
34	233117-6	COMPRESSION SPRING 6	PC.
35	266458-5	HEX.SOCKET HEX.BOLT M6X18	PC
36	224421-4	OUTER FLANGE 28	PC.
37	224417-5	INNER FLANGE 28	PC.
38	257938-2	RETAINING RING(EXT) WR-26	EA
39	267127-1	FLAT WASHER 26	PC
40	452791-3	SAFETY COVER	PC.
41	231874-0	TENSION SPRING 4	PC.
42	345470-9	THICKNESS RING	EA
43	326410-6	SPINDLE	EA
44	911128-8	PAN HEAD SCREW M4X16	EA
45	140983-3	BEARING BOX COMPLETE	PC.
46	442141-0	GASKET	PC.
47	210069-8	BALL BEARING 6900DDW	EA
48	285847-5	BEARING RETAINER 14-23	EA
49	257284-3	RING 10	PC
50	227791-0	HELICAL GEAR 24	EA
51	961006-2	RETAINING RING S-10	PC
52	262155-1	RUBBER RING 10	PC.
53	267369-7	FLAT WASHER 11	PC.
54	211012-0	BALL BEARING 606ZZ	PC

모델명 : DHS630Z

도번	부품코드	품명	단위
55	227717-2	HELICAL GEAR 17	PC.
56	226676-7	HELICAL GEAR 39	PC.
57	253823-7	FLAT WASHER 7	EA
58	264064-0	HEX.NUT M6	PC.
59	266229-0	HEX. SOCKET SET SCREW M5X8	PC
60	141732-1	BLADE CASE COMPLETE	EA
060-1	213953-6	O RING 24	PC
61	262511-5	RUBBER SLEEVE 6	EA
62	265115-2	PAN HEAD SCREW M5	EA
63	452786-6	CONNECTOR BOX	PC.
64	452788-2	COVER	PC.
65	266042-6	TAPPING SCREW BIND CT 4X20	PC
66	631694-6	LED CIRCUIT	PC.
67	961014-3	STOP RING E-8	PC
68	272260-6	LEVER 55	PC.
69	265595-2	HEX.BOLT M6X85	PC.
70	253804-1	FLAT WASHER 6 FOR HR4000C	EA
71	346477-8	COLLOR	PC.
72	318245-9	DEPTH GUIDE	PC.
73	346477-8	COLLOR	PC.
74	922137-2	HEX. SOCKET HEAD BOLT M4X20	PC
75	345876-1	REAR ANGULAR GUIDE	EA
76	252126-6	HEX. LOCKING NUT M4-7	PC
77	256480-0	SHOULDER PIN 6-7	EA
78	961012-7	STOP RING E-6	PC
79	453165-1	LOCK LEVER	PC.
80	265571-6	HEX. BOLT M6X10	PC.
81	233596-8	TORSION SPRING 11	PC.
82	256480-0	SHOULDER PIN 6-7	EA
83	265072-4	PAN HEAD SCREW M5	PC.
84	345590-9	ANGULAR GUIDE	PC.
87	252103-8	HEX.LOCK NUT M5-8	PC
96	265708-5	SCREW M6X20	EA
97	942151-2	SPRING WASHER 6	EA
98	941151-9	FLAT WASHER 6	EA
99	266039-5	H.S.SET SCREW(FLAT POINT) M6X6	PC.
100	310511-0	BASE	PC.
101	266039-5	H.S.SET SCREW(FLAT POINT) M6X6	PC.
103	266208-8	HEX.SOCKET HEAD BOLT M6X8	PC
104	911109-2	PAN HEAD SCREW M4X8	EA
105	450333-7	TOP GUIDE	PC.
106	265708-5	SCREW M6X20	EA
107	942151-2	SPRING WASHER 6	EA
108	941151-9	FLAT WASHER 6	EA
109	254031-3	WOODRUFF KEY 3	PC
A01	164095-8	GUIDE RULE	PC
A02	783203-8	HEX. WRENCH 5	PC
A03	D-51079	T.C.T. Saw Blade	EA