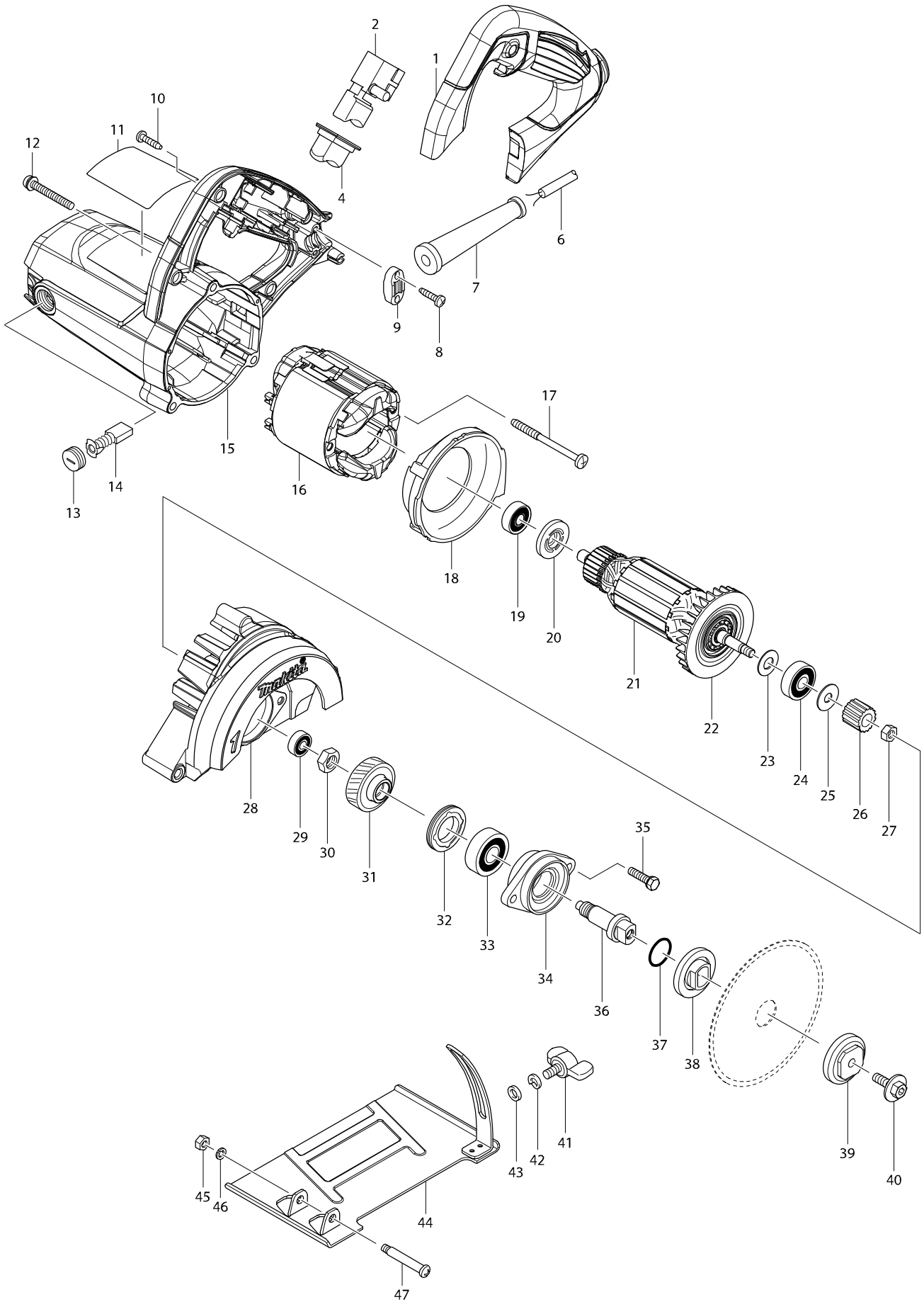


모델번호 4100NH3 110MM CUTTER



모델명 : 4100NH3

도번	부품코드	품명	단위	소요량
001	454557-7	HANDLE COVER	EA	1
002	650250-3	SWITCH	EA	1
004	424585-6	DUST COVER	EA	1
006	696519-1	POWER SUPPLY CORD 1.0-2-2.5	EA	1
007	682540-6	CORD GUARD 9.3-90	EA	1
008	266326-2	TAPPING SCREW 4X18	PC	2
009	687124-5	STRAIN RELIEF	PC	1
010	266326-2	TAPPING SCREW 4X18	PC	4
011	814L09-6	4100NH3 NAME PLATE	EA	1
012	265104-7	PAN HEAD SCREW M5X40	PC	3
013	643750-0	BRUSH HOLDER CAP	EA	2
014	B-80379	CARBON BRUSH SET CB-303A	SET	1
015	142142-5	MOTOR HOUSING COMPLETE	EA	1
015-1	643708-9	BRUSH HOLDER 5-11	PC	2
016	594673-4	FIELD ASSY 220V	EA	1
016-1	654020-2	RING TERMINAL	PC	2
016-2	654501-6	CONNECTOR P-1.25	PC	2
017	266352-1	TAPPING SCREW 5X65	EA	2
018	417810-2	BAFFLE PLATE	PC	1
019	211395-8	BALL BEARING 608UD	EA	1
020	681644-1	INSULATED WASHER	PC	1
021	513868-0	ARMATURE ASS'Y 220V	EA	1
022	240053-9	FAN 65	PC	1
023	267237-4	FLAT WASHER 9	PC	1
024	211092-6	BALL BEARING 629X50LLU	EA	1
025	267239-0	FLAT WASHER 9	PC	1
026	226552-5	HELICAL GEAR 15	PC	1
027	252186-8	HEX. NUT M6	PC.	1
028-1	213445-5	O-RING 26	PC	1
028A	142143-3	BLADE CASE COMPLETE	EA	1
029	210028-2	BALL BEARING 606ZZ	PC	1
030	252170-3	HEX. NUT M10-17	PC	1
031	227767-7	HELICAL GEAR 34	PC.	1
032	285840-9	BEARING RETAINER 19-33	PC	1
033	211129-9	BALL BEARING 6201LLU(DDW)	EA	1
034	317550-1	BEARING BOX	PC	1
035	265497-2	+ HEX. BOLT M5X20	PC	2
036	324221-3	SPINDLE	PC	1
037	213279-6	O RING 18	PC	1
038	224080-4	INNER FLANGE 36	EA	1
039	224081-2	OUTER FLANGE 36	EA	1
040	266510-9	HEX.SOCKET HEAD BOLT M6*8	PC.	1
041	265754-8	THUMB SCREW M6X12	PC	1
042	942151-2	SPRING WASHER 6	EA	1
043	941151-9	FLAT WASHER 6	EA	1
044	165711-5	BASE	PC.	1
045	252137-1	HEX. NUT M5-8	PC.	1
046	942101-7	SPRING WAHSER 5	EA	1
047	265056-2	+ PAN HEAD SCREW	EA	1
A01	781041-2	SPANNER 22	PC.	1
A02	783217-7	HEX. WRENCH 5	PC	1