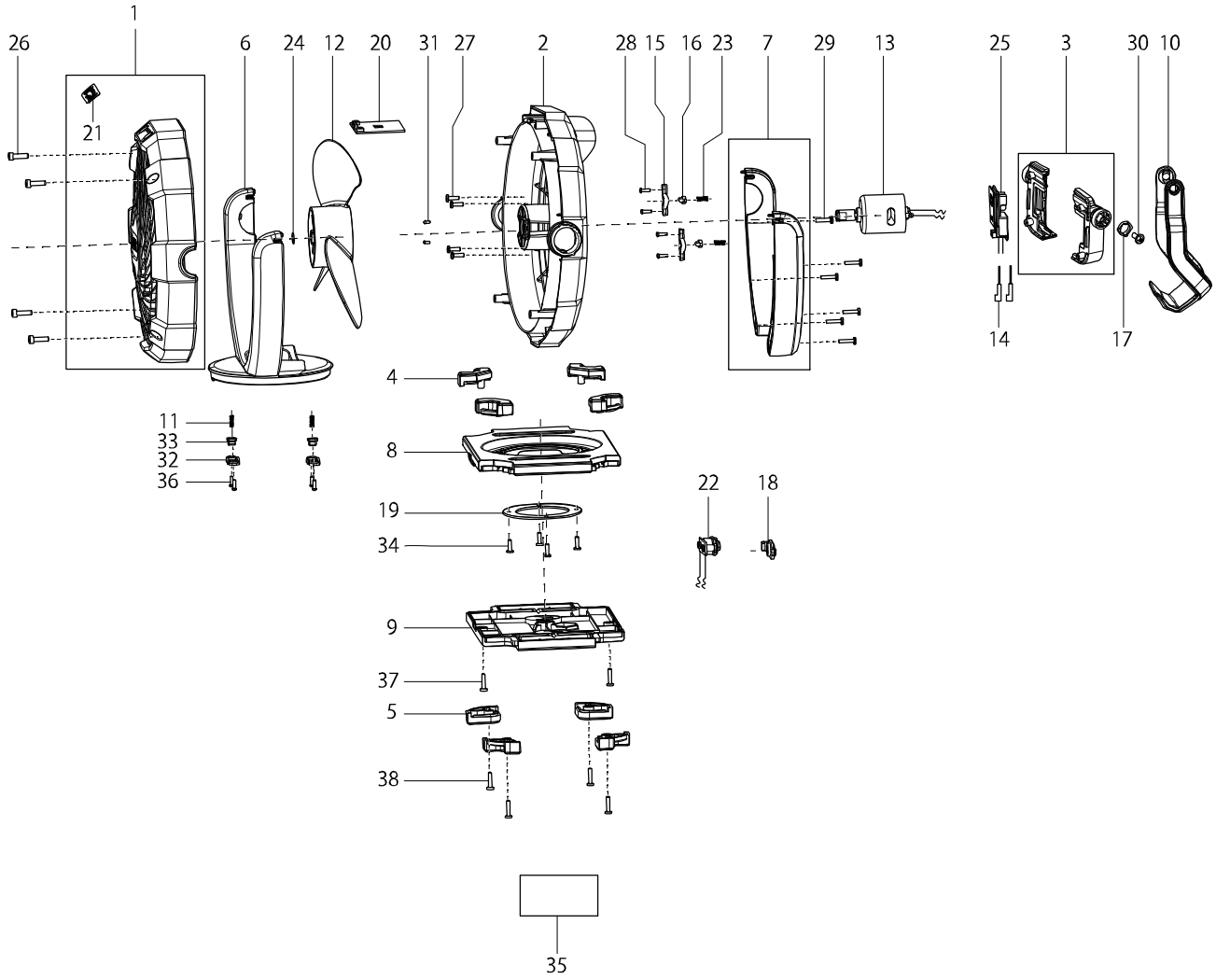


모델번호 CF100D CORDLESS FAN



모델명 : CF100D

도번	부품코드	품명	단위	소요량
001	TE00000177	FRONT COVER	EA	1
002	TE00000178	BACK COVER	EA	1
003	TE00000179	THE BATTERY HOUSING	EA	1
004	TE00000180	UP INSERT OF BOTTOM	EA	4
005	TE00000180	UP INSERT OF BOTTOM	EA	4
006	TE00000181	FRONT COVER OF THE STAND	EA	1
007	TE00000182	BACK COVER OF THE SUPPORT	EA	1
008	TE00000183	UP COVER OF THE BASE	EA	1
009	TE00000184	LOWER COVER OF THE BASE	EA	1
010	TE00000185	HOOK AND HANDLE	EA	1
011	TE00000197	SPRING1	EA	2
012	TE00000186	FAN BLADE	EA	1
013	TE00000187	MOTOR AND LEAD	EA	1
014	TE00000188	LEAD WITH INSERTING PIECE	EA	2
015	TE00000189	SMALL GEAR PRESSING PARTS	EA	2
016	TE00000190	SPARE PARTS FOR POM	EA	2
017	TE00000191	POM POSITION PART	EA	2
018	TE00000192	CHARGING SOCKET PLUG	EA	1
019	TE00000193	IRON PARTS FOR SUPPORT	EA	1
020	TE00000194	PCB	EA	1
021	TE00000195	SWITCH LABEL	EA	1
022	TE00000196	FIXED PART OF DC BASE	EA	1
023	TE00000198	SPRING2	EA	2
024	TE00000199	CIRCLIP	EA	1
025	644813-5	TERMINAL	EA	1
026	TE00000201	INNER HEXAGON 4X14	EA	4
027	TE00000202	SCREW 3X10	EA	4
028	TE00000203	SELF-TAPPING SCREW 2.5X8	EA	4
029	TE00000204	SCREW 3X14	EA	6
030	TE00000205	CROSS BELT PAD SCREWS 4X10	EA	2
031	TE00000206	P.H. SCREW M3X5	EA	2
032	TE00000189	SMALL GEAR PRESSING PARTS	EA	2
033	TE00000190	SPARE PARTS FOR POM	EA	2
034	TE00000202	SCREW 3X10	EA	4
035	TE00000233	RATING LABEL	EA	1
036	TE00000203	SELF-TAPPING SCREW 2.5X8	EA	4
037	TE00000204	SCREW 3X14	EA	2
038	TE00000204	SCREW 3X14	EA	4
039	TE00000212	ADAPTER(KR)	EA	1