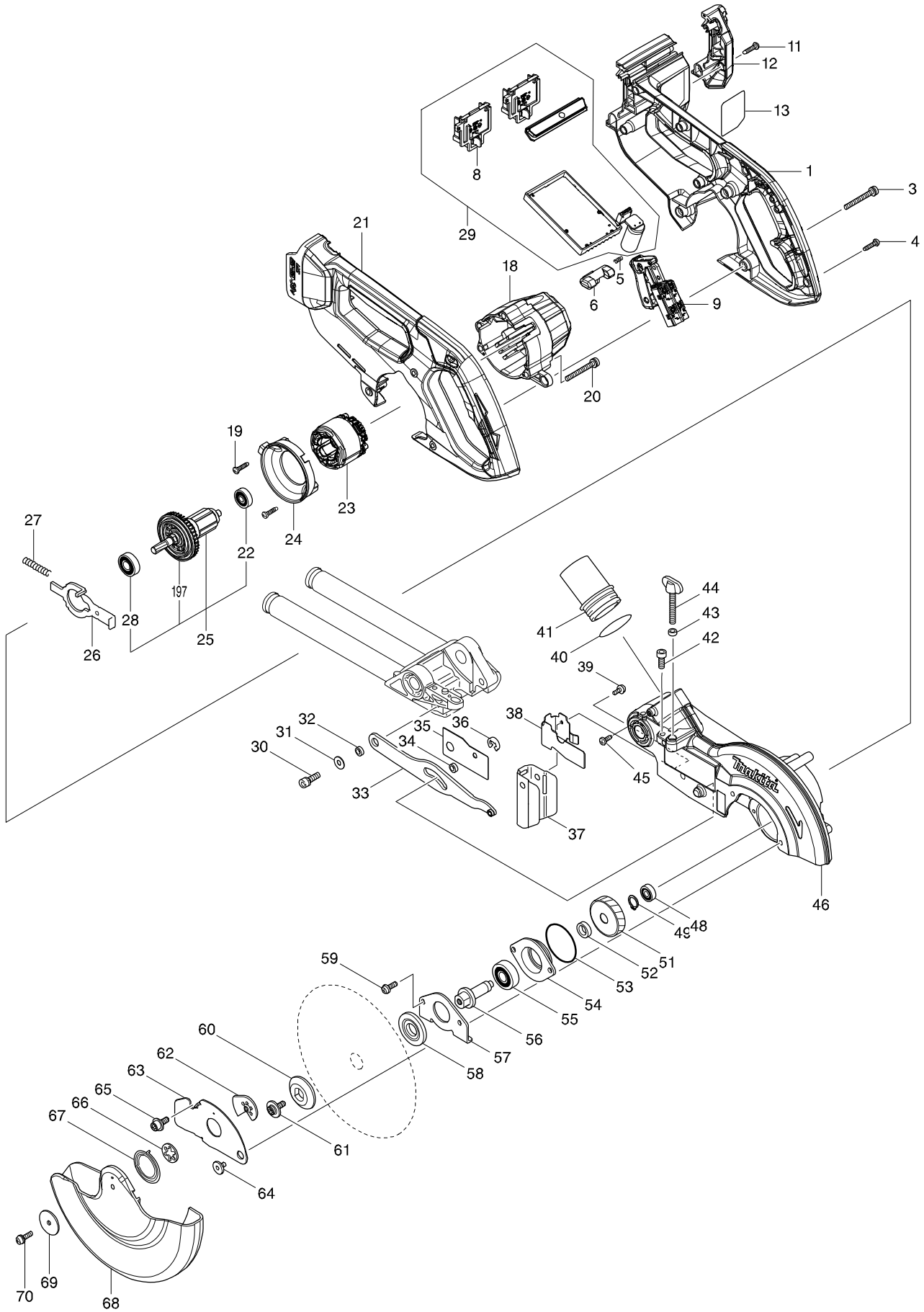
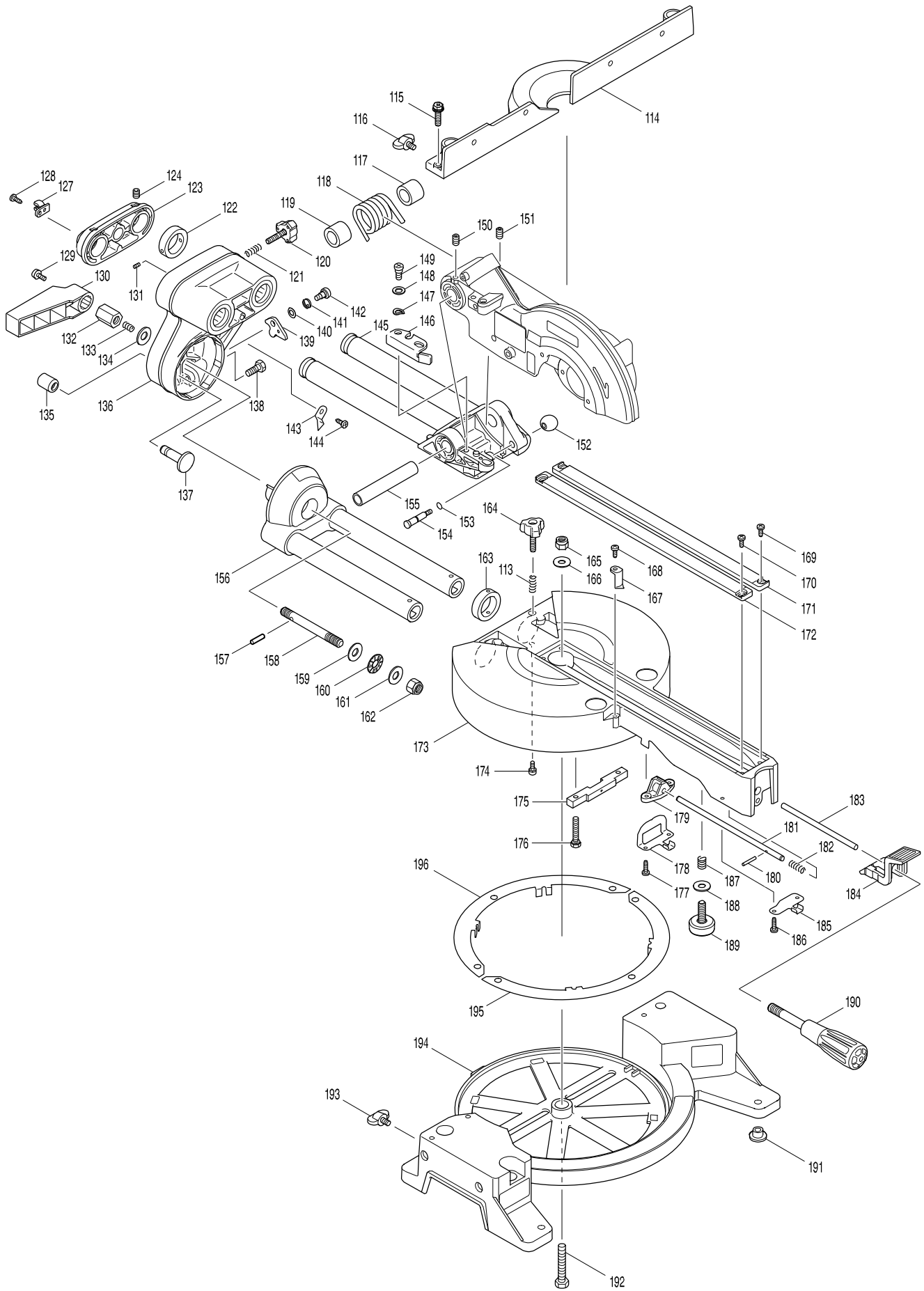


모델번호 DLS714 DC SLIDE COMPOUND MITER SAW



모델번호 DLS714 DC SLIDE COMPOUND MITER SAW



모델명 : DLS714Z

도번	부품코드	품명	단위	소요량
001	183B55-3	HANDLE SET	EA	1
003	911268-2	PAN HEAD SCREW M5X45	PC	3
004	265995-6	TAPPING SCREW 4X18	EA	6
005	231397-8	COMPRESSION SPRING 4	EA	1
006	456024-8	LOCK OFF BUTTON	EA	1
008	644808-8	TERMINAL FOR BHP458	PC.	2
009	650756-1	SWITCH	EA	1
011	265995-6	TAPPING SCREW 4X18	EA	3
012	143268-6	HANDLE COVER COMPLETE	EA	1
013	851E60-3	DLS714 NAME PLATE	EA	1
018	456022-2	MOTOR HOUSING	EA	1
019	265995-6	TAPPING SCREW 4X18	EA	2
020	911268-2	PAN HEAD SCREW M5X45	PC	3
021	183B55-3	HANDLE SET	EA	1
022	210017-7	BALL BEARING 607DDW	PC	1
023	629157-4	STATOR	EA	1
024	456023-0	BAFFLE PLATE	EA	1
025	519373-5	ROTOR ASSY	EA	1
026	344681-3	SHAFT LOCK	PC.	1
027	233092-6	COMPRESSION SPRING 5	EA	1
028	211092-6	BALL BEARING 629X50LLU	EA	1
029	143291-1	CONTROLLER COMPLETE	EA	1
030	922331-6	HEX.SOCKET HEAD BOLT M6X20	EA	1
031	253804-1	FLAT WASHER 6 FOR HR4000C	EA	1
032	257163-5	RING 6	EA	1
033	154643-1	LINK PLATE COMPLETE	EA	1
34	257163-5	RING 6	EA	1
35	346330-8	LINK COVER	PC.	1
36	961018-5	STOP RING E-5	EA	1
37	424045-8	GUARD	PC.	1
38	345438-5	GUARD PLATE	PC	1
39	911113-1	PAN HEAD SCREW	EA	1
40	213460-9	O RING 35	EA	1
41	419277-0	DUST NOZZLE	PC	1
42	266757-5	HEX. SOCKET HEAD BOLT M6X16	EA	1
43	262001-8	URETHANE RING 5	EA	1
44	265717-4	SCREW M6X43	EA	1
45	266026-4	TAPPING SCREW BIND CT 4X12	EA	1
46	140699-0	BLADE CASE COMPLETE	PC.	1
48	210017-7	BALL BEARING 607DDW	PC	1
49	961052-5	RETAINING RING S-12	EA	1
51	227810-2	HELICAL GEAR 53	EA	1
52	257088-3	RING 12	PC	1
53	213623-7	O RING 46	PC	1
54	317193-9	BEARING BOX	EA	1
55	211129-9	BALL BEARING 6201LLU(DDW)	EA	1
56	323798-5	SPINDLE	PC	1
57	285694-4	BEARING RETAINER 58	EA	1
58	224480-8	INNER FLANGE 40(19/20MM 양면)	EA	1
59	911223-4	PAN HEAD SCREW M5X12	EA	2
60	224275-9	OUTER FLANGE 40	PC	1
61	266733-9	HEX. S.F.H. BOLT M6X16	EA	1
62	345585-2	CENTER PLATE	EA	1
63	346232-8	CENTER COVER	PC.	1
64	265985-9	HEX.SOCKET HEAD BOLT M6	EA	1
65	266732-1	HEX. SOCKET HEAD BOLT M6X16	EA	1

모델명 : DLS714Z

도번	부품코드	품명	단위	소요량
66	345589-4	CENTER WASHER	EA	1
67	231934-8	SPIRAL SPRING 26	EA	1
68	419123-7	SAFETY COVER	PC.	1
69	267136-0	FLAT WASHER 5	EA	1
70	265491-4	H.S. BUTTON HEAD BOLT M5X16	PC.	1
113	231325-3	COMPRESSION SPRING 6	PC	1
114	318655-0	GUIDE FENCE	PC.	1
115	922344-7	H.S.H.BOLT M6X25 WITH WG	EA	3
116	251887-5	SCREW M6X10	EA	1
117	416535-5	SLEEVE 17	PC	1
118	233520-1	TORSION SPRING 28	EA	1
119	416535-5	SLEEVE 17	PC	1
120	265790-4	THUMB SCREW M6X28	PC.	1
121	231325-3	COMPRESSION SPRING 6	PC	1
122	257214-4	RING 26	PC	1
123	318651-8	PIPE HOLDER	PC.	1
124	266208-8	HEX.SOCKET HEAD BOLT M6X8	PC	2
127	687045-1	STRAIN RELIEF	PC.	1
128	266026-4	TAPPING SCREW BIND CT 4X12	EA	1
129	911113-1	PAN HEAD SCREW	EA	1
130	416006-2	LEVER 100	EA	1
131	913106-4	SET SCREW M4X8	PC	1
132	252144-4	HEX.NUT M10-17	EA	1
133	231266-3	COMPRESSION SPRING 5	PC	1
134	253024-7	FLAT WASHER 10	EA	1
135	286236-7	CAP 16	PC	1
136	140609-7	ARM COMPLETE	PC.	1
137	324295-4	RELEASE PIN	PC	1
138	266757-5	HEX. SOCKET HEAD BOLT M6X16	EA	2
139	345299-3	STOPPER PLATE	PC	1
140	253726-5	FLAT WASHER 6	PC	1
141	231663-3	TORSION SPRING 8	PC	1
142	265113-6	PAN HEAD SCREW M5	PC	1
143	343678-9	POINTER	EA	1
144	266026-4	TAPPING SCREW BIND CT 4X12	EA	1
145	140608-9	FRONT ARM COMPLETE	PC.	1
146	344643-1	STOPPER ARM	PC	1
147	253948-7	WAVE WASHER 8	PC	1
148	253835-0	FLAT WASHER 8	PC	1
149	251267-5	PAN HEAD SCREW M6	EA	1
150	251961-9	HEX. SOCKET HEAD BOLT M6X10	EA	1
151	251961-9	HEX. SOCKET HEAD BOLT M6X10	EA	1
152	271601-3	KNOB 20	EA	1
153	213021-5	O RING 5	EA	1
154	324183-5	STOPPER PIN	PC	1
155	331350-5	PIPE 16-90	EA	1
156	140610-2	ARM HOLDER COMPLETE	PC.	1
156-1	816392-5	BEVEL SCALE LABEL	EA	1
157	256123-4	PIN 5	PC.	1
158	266320-4	SCREW M10	PC	1
159	253024-7	FLAT WASHER 10	EA	1
160	216413-7	THRUST NEEDLE CAGE 1024	PC	1
161	253024-7	FLAT WASHER 10	EA	1
162	252130-5	HEX. LOCK NUT M10-17	PC	1
163	257214-4	RING 26	PC	1
164	265790-4	THUMB SCREW M6X28	PC.	1

모델명 : DLS714Z

도번	부품코드	품명	단위	소요량
165	252105-4	HEX.LOCK NUT M8-13	EA	1
166	253731-2	FLAT WASHER 8	PC	1
167	416355-7	INDICATION PLATE	PC	1
168	266026-4	TAPPING SCREW BIND CT 4X12	EA	1
169	266026-4	TAPPING SCREW BIND CT 4X12	EA	2
170	266026-4	TAPPING SCREW BIND CT 4X12	EA	2
171	419103-3	KERF BOARD	PC	1
172	419103-3	KERF BOARD	PC	1
173	140614-4	TURN BASE COMPLETE	PC.	1
174	922111-0	HEX. SOCKET HEAD BOLT M4X10	PC	1
175	153580-6	SQUARE ROD COMPLETE	EA	1
176	925251-3	HEX.BOLT M5X30	PC	2
177	266034-5	TAPPING SCREW CT 4X16	EA	2
178	344601-7	LOCK PLATE	PC	1
179	317616-7	PIN HOLDER	PC	1
180	256158-5	PIN 3	PC	1
181	324288-1	LOCK PIN	PC	1
182	231325-3	COMPRESSION SPRING 6	PC	1
183	324289-9	ROD 6	PC	1
184	416450-3	LOCK LEVER	PC	1
185	345272-3	LOCK LEVER PLATE	PC	1
186	266034-5	TAPPING SCREW CT 4X16	EA	2
187	231418-6	COMPRESSION SPRING 9	PC	1
188	253731-2	FLAT WASHER 8	PC	1
189	266432-3	ADJUST BOLT M8X27	EA	1
190	273658-0	GRIP 32	PC	1
191	286212-1	CAP 20	EA	5
192	921472-5	HEX. BOLT M8X50	PC	1
193	251887-5	SCREW M6X10	EA	2
194	140612-8	BASE COMPLETE	PC.	1
194-1	816339-9	MITER SCALE PLATE	PC	1
195	344646-5	SLIDE PLATE	PC	1
196	344646-5	SLIDE PLATE	PC	1
197	240033-5	FAN 57	PC	1
A01	122571-8	VICE ASSY	PC	1
A02	122852-0	Dust bag assy	EA	1
A03	762001-3	TRIANGULAR RULE	PC	1
A04	322312-4	HOLDER	PC	2
A05	783203-8	HEX. WRENCH 5	PC	1
A06	B-03850	T.C.T.SAW BLADE 190X20X24	PC.	1