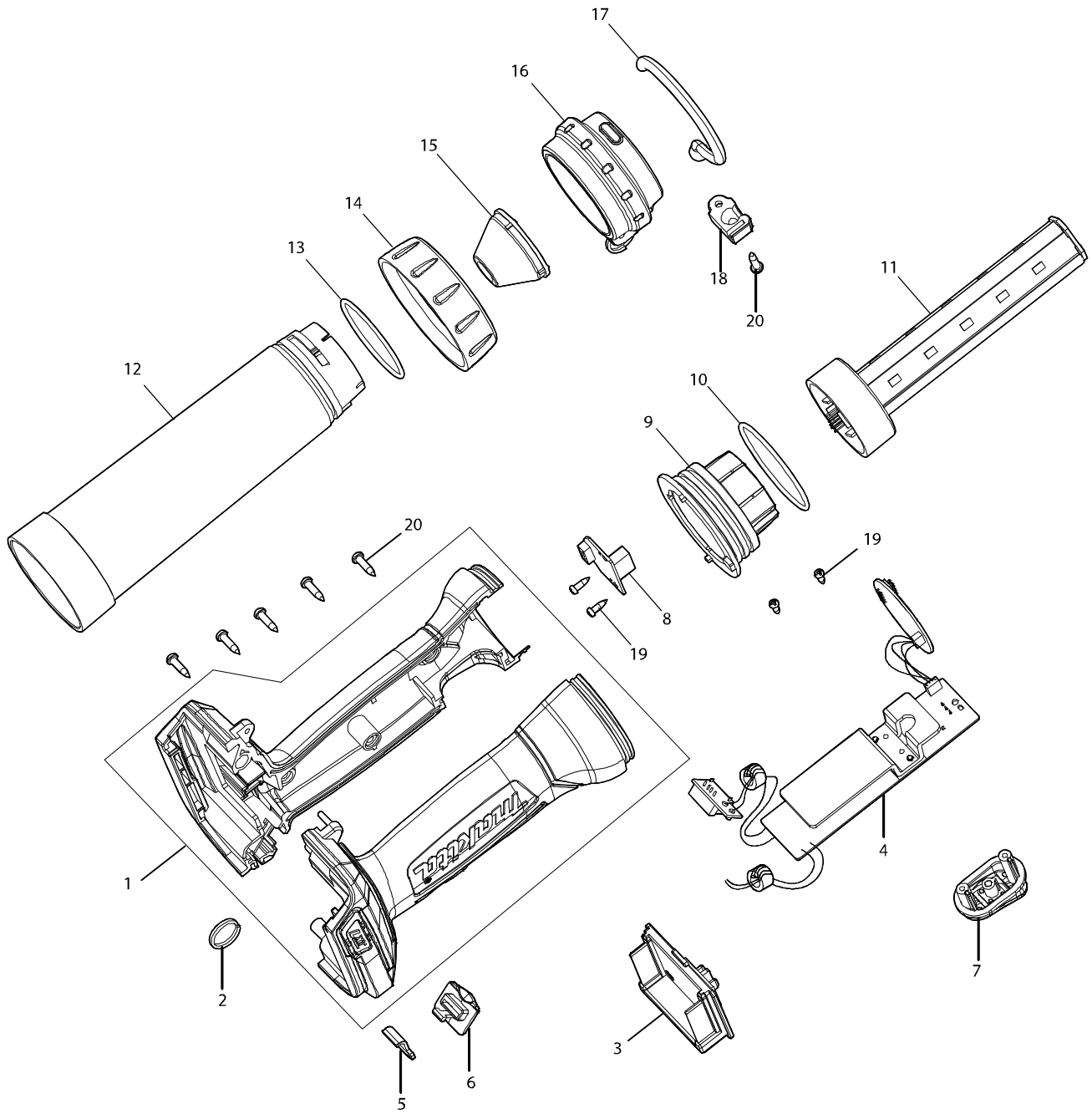


모델번호 DML807 RECHARGEABLE LED FLASHLIGHT



모델명 : DML807

도번	부품코드	품명	단위	소요량
001A	GM00001669	HOUSING L/R ASSY ROS88070300	EA	1
002	SM00000190	RING	PC	1
003	GM00001457	BATTERY HOLDER ROS88070009	EA	1
004A	GM00001670	MAIN+USB PCBA ASSY ROS88070301	EA	1
005	GM00001459	METAL STRAP HOOK B2808807021	EA	1
006	GM00001460	USB RUBBER COVER C9820807005	EA	1
007	GM00001461	SWITCH HOLDER ASSY ROS88070004	EA	1
008	GM00001462	FEMALE SOCKET PCBA ROS88070003	EA	1
009	GM00001463	LAMP HOLDER C1020807004	EA	1
010	GM00001464	O-RING (CAP) C9820807004	EA	1
011	GM00001465	LED LAMP TUBE ASSY ROS88070002	EA	1
012	GM00001466	DIFFUSING CAP ROS88070007	EA	1
013	GM00001467	O-RING C9820807003	EA	1
014	GM00001468	LOCK RING C0110184004	EA	1
015	GM00001469	REFLECTOR ROS88070008	EA	1
016	GM00001470	BEZEL ASSY ROS88070001	EA	1
017	GM00001471	HOOK ASSY ROS88070000	EA	1
018	GM00001472	HOOK BALL COVER C3020807002	EA	1
019	GM00001395	SCREW 2.6X8PB B0126081102	EA	4
020	GM00001024	SCREW 3X12 20130120202	PC	6
021A	GM00001713	USB SWITCH BUTTON C9020807002	EA	1
022A	GM00001672	HEAT TRANSFER PAD A3252040000	EA	1
023A	GM00001673	USB SWITCH PCBA ROS88070302	EA	1