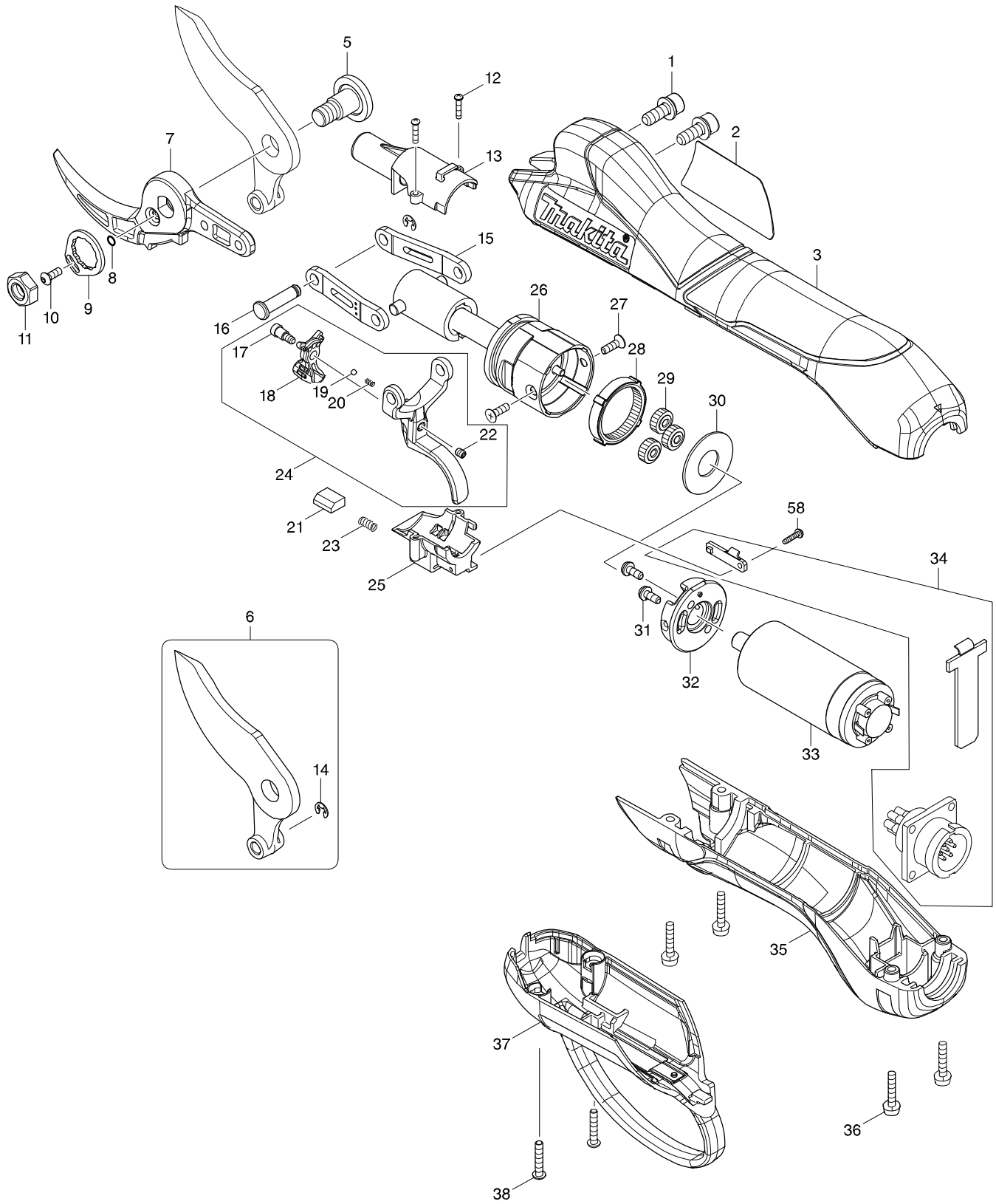
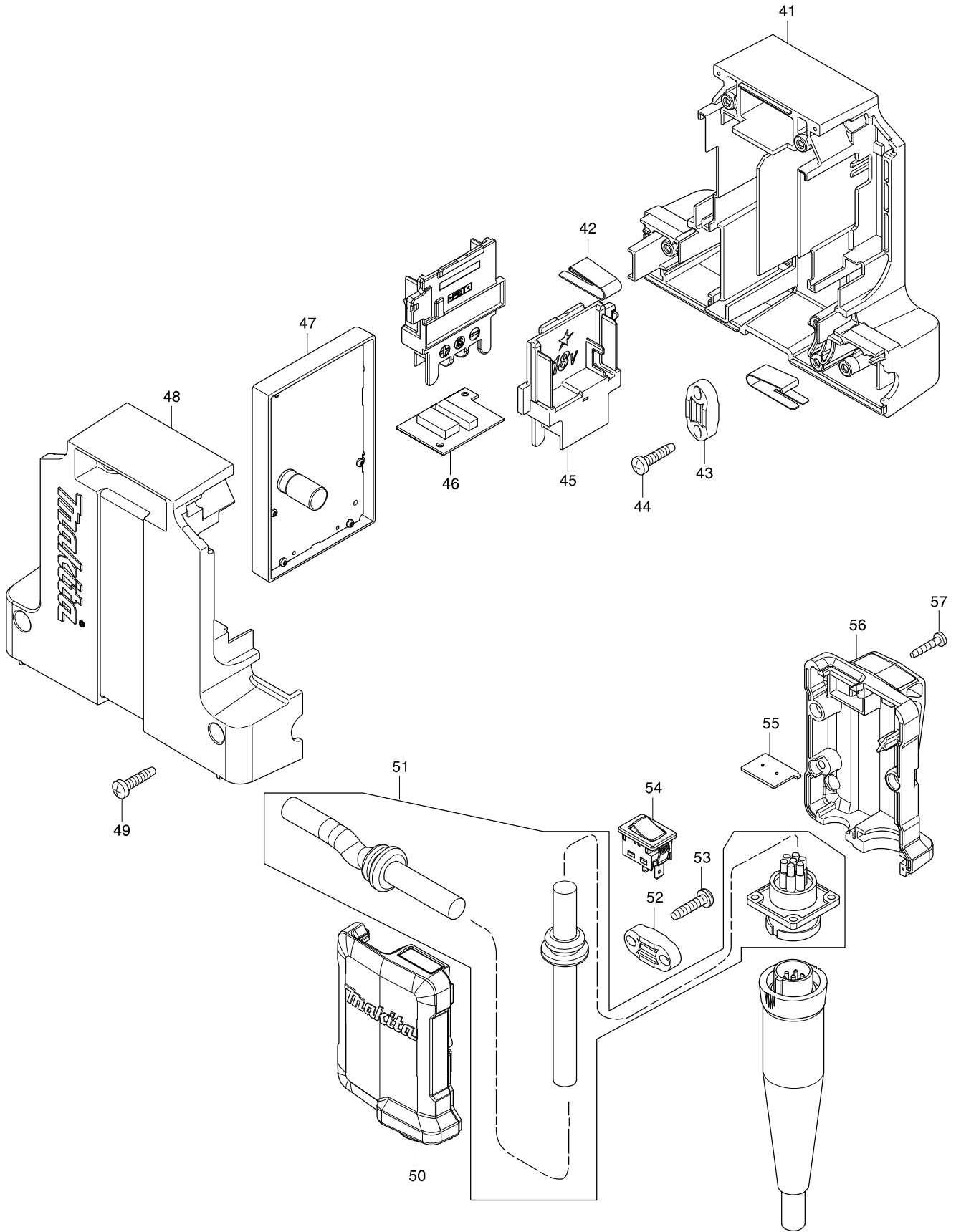


모델번호 DUP361 BATTERY POWERED PRUNING SHEAR



모델번호 DUP361 BATTERY POWERED PRUNING SHEAR



**모델명 : DUP361**

도번	부품코드	품명	단위	소요량
001	251485-5	H.S.H.BOLT M5X14 WITH WR	EA	2
002	851F32-4	DUP361 NAME PLATE	EA	1
003	456209-6	UPPER HOUSING	EA	1
005	251474-0	SHOULDER SCREW M8	EA	1
006	197366-8	SHEAR BLADE U SET	EA	1
006-1	961011-9	STOP RING E-4	PC	0
007	197367-6	SHEAR BLADE L SET	EA	1
008	213034-6	O RING 3	EA	1
009	346940-1	LOCK PLATE	EA	1
010	266557-3	H.S.BUTTON HEAD BOLT M3X8	EA	1
011	264118-3	HEX. NUT M8	EA	1
012	266786-8	+ PAN HEAD TAPPING SCREW 2X10	PC.	2
013	456218-5	BALL NUT COVER B	EA	1
014	961011-9	STOP RING E-4	PC	1
015	346941-9	LINK ARM	EA	2
016	256568-6	FLAT FILLISTER HD.PIN 5	EA	1
017	251484-7	#NAME?	EA	1
018	456215-1	LEVER	EA	1
019	216031-1	STEEL BALL 2.3	PC	1
020	233491-2	COMPRESSION SPRING 2	PC	1
021	688189-0	MAGNET	EA	1
022	266999-1	H.S.SET SCREW(FLAT POINT)M3X4	EA	1
023	231397-8	COMPRESSION SPRING 4	EA	1
024	123536-3	TRIGGER ASSY	EA	1
25	456217-7	BALL NUT COVER A	EA	1
26	123458-7	BALL SCREW ASSEMBLY	EA	1
27	912012-0	C.H.SCREW M3X10	EA	2
28	227390-8	INTERNAL GEAR 48	EA	1
29	227389-3	SPUR GEAR 18	EA	3
30	253810-6	FLAT WASHER 12	PC	1
31	911006-2	PAN HEAD SCREW M3X8	PC	2
32	319349-0	MOTOR HOLDER	EA	1
33	629160-5	DC MOTOR	EA	1
34	620459-1	SUB CONTROLLER	EA	1
35	456211-9	LOWER HOUSING	EA	1
36	911028-2	PAN HEAD SCREW M3X16	PC	4
37	143633-9	FRONT HOUSING COMPLETE	EA	1
037-1	807L80-7	INDICATION LABEL	EA	1
38	266980-2	HEX.S.BUTTON HEAD SCREW M3X16	EA	2
41	183B69-2	CONTROLLER HOUSING SET	EA	1
42	232267-4	LEAF SPRING	EA	2
43	687053-2	STRAIN RELIEF	PC	1
44	265995-6	TAPPING SCREW 4X18	EA	2
45	643899-6	TERMINAL	EA	2
46	620461-4	RF UNIT	EA	1
47	620458-3	CONTROLLER	EA	1
48	183B69-2	CONTROLLER HOUSING SET	EA	1
49	265995-6	TAPPING SCREW 4X18	EA	4
50	183B76-5	SWITCH HOUSING SET	EA	1
050-1	807E89-7	INDICATION LABEL	EA	1
050-2	807F74-6	CAUTION LABEL	EA	1
51	699070-0	POWER SUPPLY CORD UNIT	EA	1
051A	699086-5	POWER SUPPLY CORD UNIT	PC.	0
52	687053-2	STRAIN RELIEF	PC	1
53	265995-6	TAPPING SCREW 4X18	EA	2
54	651536-8	SWITCH 1941. 1451	EA	1

**모델명 : DUP361**

도번	부품코드	품명	단위	소요량
55	620460-6	LED CIRCUIT	EA	1
56	183B76-5	SWITCH HOUSING SET	EA	1
056-1	807E89-7	INDICATION LABEL	EA	1
056-2	807F74-6	CAUTION LABEL	EA	1
57	266429-2	TAPPING SCREW 3X16	PC.	3
58	266786-8	+ PAN HEAD TAPPING SCREW 2X10	PC.	1
A01	154511-8	CORD HOLDER COMPLETE	EA	1
A02	161377-9	HARNESS	EA	1
A03	161379-5	HOLSTER	EA	1
A04	166062-9	ARM BAND	PC	1
A05	182470-6	OIL SUPPLY 30CC	PC	1
A06	661430-6	CONNECTION CORD	EA	1
A06A	661445-3	CONNECTION CORD	PC.	1
A07	794530-8	DIAMOND FILE	PC	1
A08	782212-4	SOCKET WRENCH 13	EA	1
A09	783021-4	HEX. WRENCH 1.5	EA	1
A10	783202-0	HEX.WRENCH 4	PC	1
A11	783214-3	HEX.SOCKET SCREW KEY 2	EA	1
A12	831284-7	TOOL BAG	EA	1
A13	197366-8	SHEAR BLADE U SET	EA	1
A13-1	961011-9	STOP RING E-4	PC	1