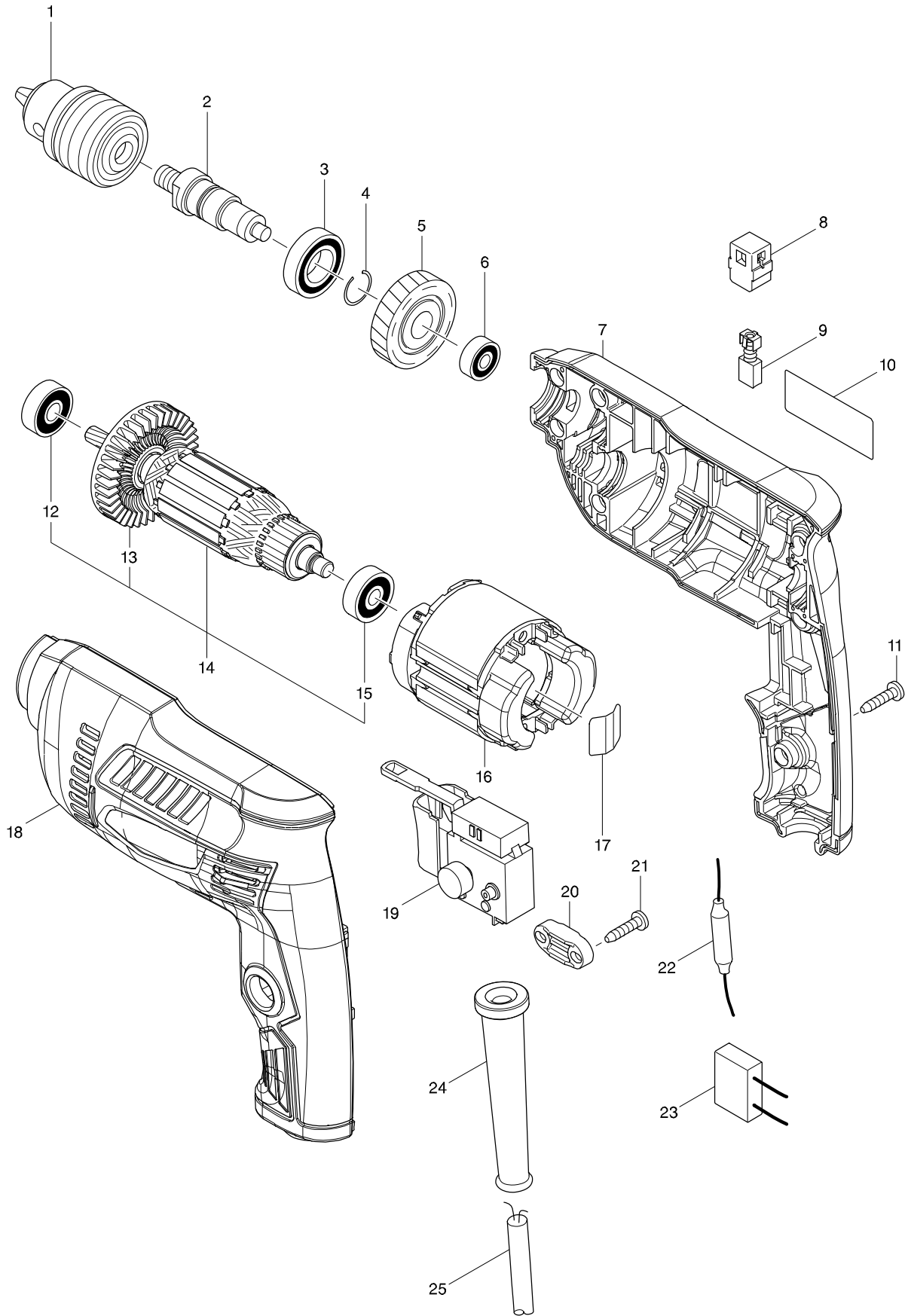


모델번호 M6001 10MM DRILL



모델명 : M6001M

도번	부품코드	품명	단위	소요량
001	766014-6	DRILL CHUCK S10	PC.	1
002	324376-4	SPINDLE	PC	1
003	210153-9	BALL BEARING 6902ZZ	EA	1
004	233925-5	RING SPRING 13	EA	1
005	226578-7	HELICAL GEAR 35	EA	1
006	210137-7	BALL BEARING 606ZZ	PC.	1
007	183D59-7	HOUSING SET	EA	1
008	643563-9	BRUSH HOLDER 5X8	PC	2
009	B-80282	CARBON BRUSH CB-85A	SET	1
010	850X24-8	M6001 NAME PLATE	EA	1
011	266326-2	TAPPING SCREW 4X18	PC	7
012	210046-0	BALL BEARING 608ZZ	PC.	1
013	240066-0	FAN 52	EA	1
014	515848-2	ARMATURE ASSY 220V	PC.	1
015	210050-9	BALL BEARING 627ZZ	PC.	1
016	639357-8	FIELD 220V	EA	1
017	232210-3	LEAF SPRING	PC	1
018	183D59-7	HOUSING SET	EA	1
019	650551-9	SWITCH FA1-3/2BEZ-4	PC	1
020	687124-5	STRAIN RELIEF	PC	1
021	266326-2	TAPPING SCREW 4X18	PC	2
022	646147-2	CHOKE COIL	PC	1
023	645190-8	NOISE SUPPRESSOR	PC	1
024	682569-2	CORD GUARD	PC	1
25	696403-0	POWER SUPPLY CORD 1.0-2-2.0	EA	1
A01	763447-6	CHUCK KEY S10	PC.	1
A02	418163-2	KEY HOLDER 10	PC	1