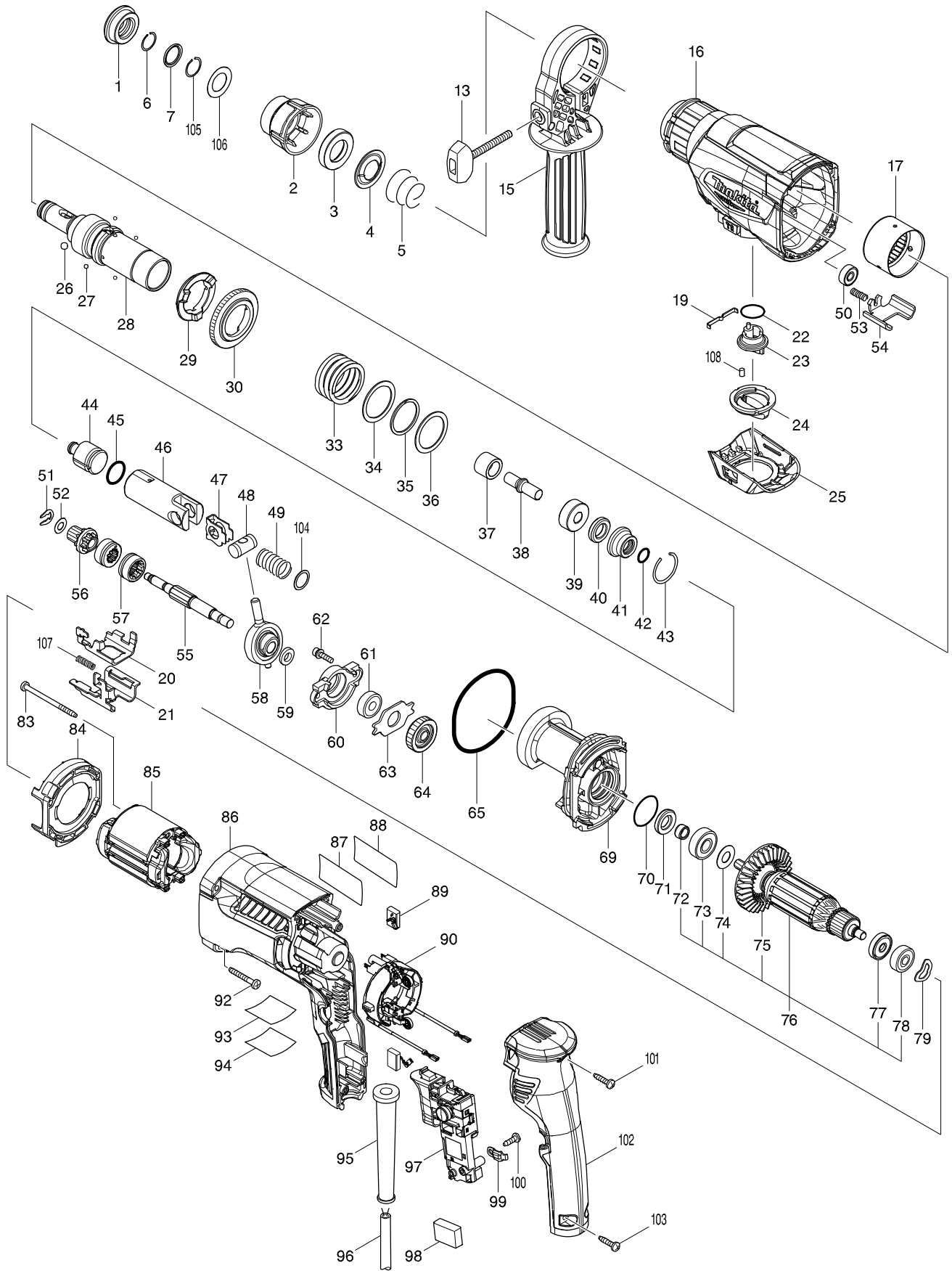


모델번호 M8701 26MM COMBINATION HAMMER



모델명 : M8701M

| 도번 | 부품코드 | 품명 | 단위 | 소요량 |
|-------|----------|-----------------------------|-----|-----|
| 001 | 286288-8 | CAP 35 | PC. | 1 |
| 002 | 456529-8 | CHUCK COVER | EA | 1 |
| 003 | 325813-1 | RING 21 | PC. | 1 |
| 004 | 346177-0 | GUIDE WASHER | PC. | 1 |
| 005 | 233916-6 | CONICAL COMPRESSION SPRING | PC | 1 |
| 006 | 233989-9 | RING SPRING 14 | PC. | 1 |
| 007 | 346834-0 | WASHER 16 | EA | 1 |
| 013 | 265795-4 | THUMB SCREW M6X52 | PC. | 1 |
| 015 | 452985-0 | GRIP 34 | PC. | 1 |
| 016 | 144216-8 | GEAR HOUSING COMPLETE | EA | 1 |
| 016-1 | 213636-8 | OIL SEAL 25 | PC. | 1 |
| 017 | 143962-0 | NEEDLE BEARING COMPLETE | EA | 1 |
| 019 | 232286-0 | LEAF SPRING | EA | 1 |
| 020 | 347000-2 | CHANGE PLATE B | EA | 1 |
| 021 | 346999-8 | CHANGE PLATE A | EA | 1 |
| 022 | 213278-8 | O RING 17 | PC | 1 |
| 023 | 455392-6 | CHANGE LEVER | EA | 1 |
| 024 | 455394-2 | CHANGE LEVER CAP | EA | 1 |
| 025 | 456528-0 | CHANGE LEVER COVER | EA | 1 |
| 026 | 216022-2 | STEEL BALL 7.0 | PC | 2 |
| 027 | 216019-1 | STEEL BALL 3 | PC | 4 |
| 028 | 144215-0 | TOOL HOLDER COMPLETE | EA | 1 |
| 028-1 | 213344-1 | OIL SEAL 9 | PC. | 1 |
| 029 | 332139-4 | DRIVING FLANGE | EA | 1 |
| 30 | 227360-7 | SPUR GER 51 | EA | 1 |
| 33 | 231899-4 | COMPRESSION SPRING 31 | EA | 1 |
| 34 | 267153-0 | FLAT WASHER 30 | PC. | 1 |
| 35 | 257932-4 | SPIRO LOCK WASHER 30 | PC. | 1 |
| 36 | 267153-0 | FLAT WASHER 30 | PC. | 1 |
| 37 | 325782-6 | SLEEVE 9A | PC. | 1 |
| 38 | 325789-2 | IMPACT BOLT A | PC. | 1 |
| 39 | 325794-9 | RING 10A | PC. | 1 |
| 40 | 424267-0 | CUSHION RING 12 | PC. | 1 |
| 41 | 325798-1 | O-RING CASE A | PC. | 1 |
| 42 | 213073-6 | O RING 9 | PC | 1 |
| 43 | 233979-2 | RING SPRING 28 | PC. | 1 |
| 44 | 325784-2 | STRIKER | PC. | 1 |
| 45 | 213258-4 | O RING 17.5 | PC. | 1 |
| 46 | 310345-1 | PISTON CYLINDER | PC. | 1 |
| 47 | 346036-8 | GUIDE PLATE | PC. | 1 |
| 48 | 324215-8 | PISTON JOINT | PC | 1 |
| 49 | 234098-7 | COMPRESSION SPRING 14 | PC. | 1 |
| 50 | 210137-7 | BALL BEARING 606ZZ | PC. | 1 |
| 51 | 257336-0 | STOP RING EXT U-6 | PC. | 1 |
| 52 | 253186-1 | FLAT WASHER 7 | EA | 1 |
| 53 | 233360-7 | COMPRESSION SPRING 4 | PC | 1 |
| 54 | 346998-0 | LOCK PLATE | EA | 1 |
| 55 | 326448-1 | CAM SHAFT | EA | 1 |
| 56 | 227359-2 | SPUR GEAR 10 | EA | 1 |
| 57 | 310678-4 | CLUTCH CAM | EA | 2 |
| 58 | 219021-3 | SWASH BEARING 10 | PC. | 1 |
| 59 | 257321-3 | RING 8 | PC. | 1 |
| 60 | 310344-3 | BEARING BOX | PC. | 1 |
| 61 | 210046-0 | BALL BEARING 608ZZ | PC. | 1 |
| 62 | 266437-3 | HEX. SOCKET HEAD BOLT M4X16 | EA | 2 |
| 63 | 285735-6 | BEARING RETAINER | PC. | 1 |

모델명 : M8701M

| 도번 | 부품코드 | 품명 | 단위 | 소요량 |
|-------|----------|-----------------------------|-----|-----|
| 64 | 227748-1 | HELICAL GEAR 27 | PC. | 1 |
| 65 | 213727-5 | O-RING 63 | PC | 1 |
| 69 | 141664-2 | INNER HOUSING COMPLETE | PC. | 1 |
| 069-1 | 443153-6 | FELT | PC. | 1 |
| 70 | 213407-3 | O RING 26 | PC | 1 |
| 71 | 213678-2 | OIL SEAL 12 | PC. | 1 |
| 72 | 262571-7 | SLEEVE 8 | PC. | 1 |
| 73 | 211480-7 | BALL BEARING 6000ZZ | EA | 1 |
| 74 | 267213-8 | FLAT WASHER 10 | EA | 1 |
| 75 | 240084-8 | FAN 60 | EA | 1 |
| 76 | 513943-2 | ARMATURE ASSY | EA | 0 |
| 77 | 681652-2 | INSULATION WASHER | EA | 1 |
| 78 | 210050-9 | BALL BEARING 627ZZ | PC. | 1 |
| 79 | 267804-5 | WAVE WASHER 15 | PC | 1 |
| 83 | 266334-3 | TAPPING SCREW 4X60 | PC | 2 |
| 84 | 452984-2 | BAFFLE PLATE | PC. | 1 |
| 85 | 633978-8 | FIELD 220V | EA | 1 |
| 86 | 453915-4 | MOTOR HOUSING | PC. | 1 |
| 87 | 852T28-2 | M8701 NAME PLATE | EA | 1 |
| 88 | 890304-6 | CLEAR LABEL | PC. | 1 |
| 89 | 195026-6 | CARBON BRUSH CB-459 | PC. | 1 |
| 90 | 638747-2 | BRUSH HOLDER UNIT | PC. | 1 |
| 92 | 266361-0 | TAPPING SCREW 4X30 | PC. | 4 |
| 93 | 852T30-5 | M8701 SERIAL NO. LABEL | EA | 1 |
| 94 | 890297-7 | CLEAR LABEL | PC. | 1 |
| 95 | 682566-8 | CORD GUARD 10 | PC | 1 |
| 96 | 696538-7 | POWER SUPPLY CORD 1.0-2-5.0 | EA | 1 |
| 97 | 650671-9 | SWITCH TG853TB-1C | PC. | 1 |
| 98 | 645190-8 | NOISE SUPPRESSOR | PC | 1 |
| 99 | 687682-1 | STRAIN RELIEF | PC. | 1 |
| 100 | 266385-6 | TAPPING SCREW 4X14 | EA | 1 |
| 101 | 266326-2 | TAPPING SCREW 4X18 | PC | 1 |
| 102 | 453916-2 | HANDLE COVER | PC. | 1 |
| 103 | 266326-2 | TAPPING SCREW 4X18 | PC | 2 |
| 104 | 267447-3 | FLAT WASHER 14 | PC. | 1 |
| 105 | 233992-0 | RING SPRING 15 | PC. | 1 |
| 106 | 267114-0 | FLAT WASHER 17 | PC. | 1 |
| 107 | 231900-5 | COMPRESSION SPRING 5 | EA | 1 |
| 108 | 263005-3 | RUBBER PIN 6 | EA | 1 |
| A01 | 321144-6 | DEPTH GAUGE | EA | 1 |