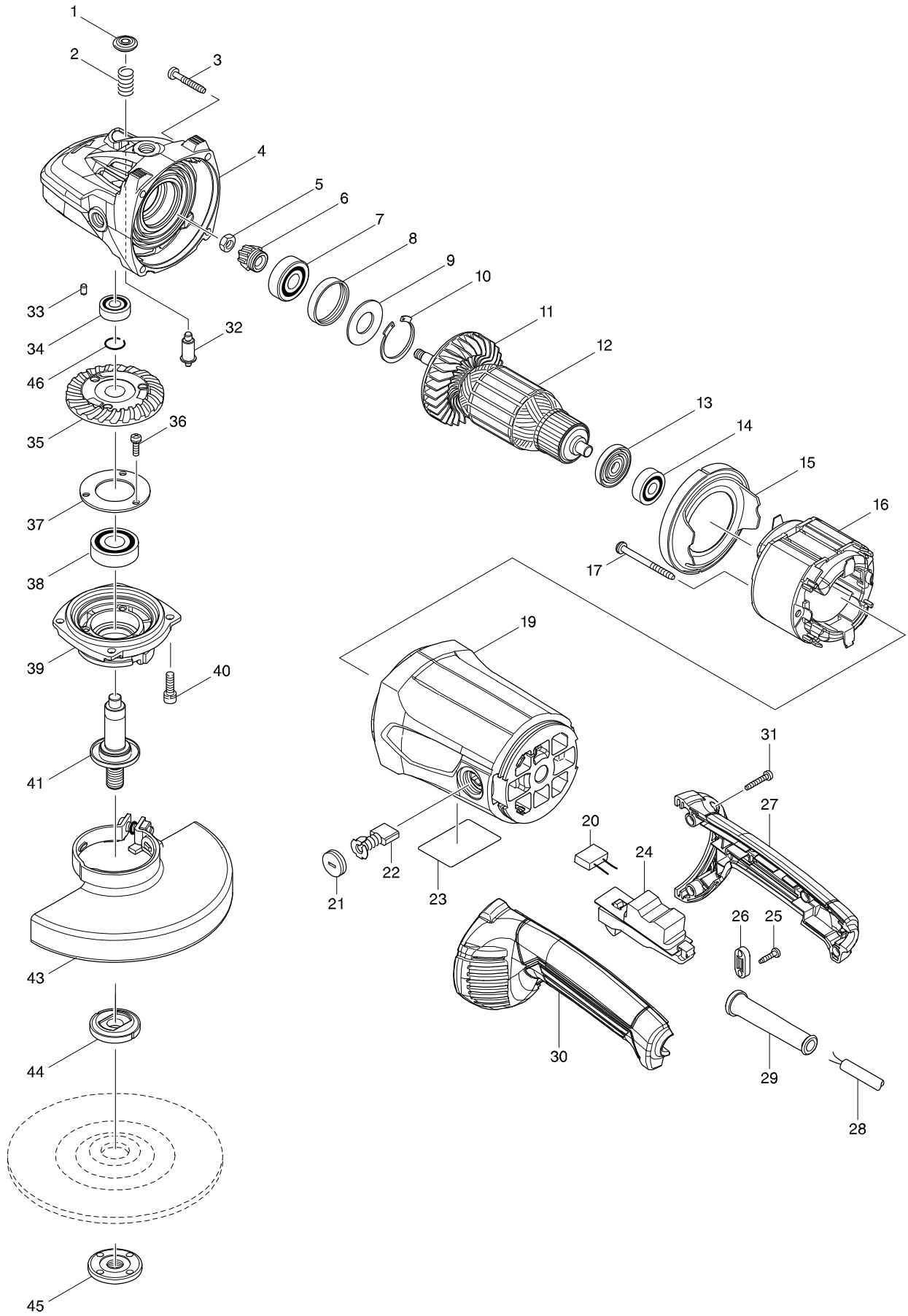


모델번호 M9000 180MM ANGLE GRINDER



**모델명 : M9000M**

| 도번    | 부품코드     | 품명                          | 단위  | 소요량 |
|-------|----------|-----------------------------|-----|-----|
| 001   | 419133-4 | PIN CAP                     | EA  | 1   |
| 002   | 233292-8 | COMPRESSION SPRING 12       | PC  | 1   |
| 003   | 266373-3 | TAPPING SCREW 5X35          | EA  | 4   |
| 004   | 142753-6 | GEAR HOUSING COMPLETE       | PC. | 1   |
| 005   | 252194-9 | HEX. NUT M8                 | EA  | 1   |
| 006   | 227488-1 | SPIRAL BEVEL GEAR 16        | EA  | 1   |
| 007   | 210104-2 | BALL BEARING 6301DDW        | EA  | 1   |
| 008   | 262085-6 | RUBBER RING 38              | EA  | 1   |
| 009   | 267299-2 | FLAT WASHER 20              | EA  | 1   |
| 010   | 962211-4 | RETAINING RING R-42         | PC  | 1   |
| 011   | 240081-4 | FAN 80                      | EA  | 1   |
| 012   | 516948-1 | ARMATURE ASSY 220-240V      | EA  | 1   |
| 013   | 681630-2 | INSULATION WASHER           | EA  | 1   |
| 014   | 210070-3 | BALL BEARING 6200ZZ         | EA  | 1   |
| 015   | 419135-0 | BAFFLE PLATE                | EA  | 1   |
| 016   | 596278-6 | FIELD ASSY 220V             | EA  | 1   |
| 016-1 | 654197-3 | RING TERMINAL               | PC  | 2   |
| 016-2 | 654502-4 | CONNECTOR P-2               | PC  | 2   |
| 017   | 266352-1 | TAPPING SCREW 5X65          | EA  | 2   |
| 019   | 143543-0 | MOTOR HOUSING COMPLETE      | EA  | 1   |
| 019-1 | 643564-7 | BRUSH HOLDER                | PC. | 2   |
| 021   | 643700-5 | BRUSH HOLDER CAP 7-18       | EA  | 2   |
| 022   | B-80357  | CARBON BRUSH SET CB-204A    | SET | 1   |
| 023   | 850W39-9 | M9000 NAME PLATE            | EA  | 1   |
| 24    | 651184-3 | SWITCH HY44C                | EA  | 1   |
| 25    | 266326-2 | TAPPING SCREW 4X18          | PC  | 2   |
| 26    | 687124-5 | STRAIN RELIEF               | PC  | 1   |
| 27    | 187407-8 | HANDLE SET                  | PC. | 1   |
| 28    | 696503-6 | POWER SUPPLY CORD 1.0-2-2.0 | EA  | 1   |
| 29    | 682540-6 | CORD GUARD 9.3-90           | EA  | 1   |
| 30    | 187407-8 | HANDLE SET                  | PC. | 1   |
| 31    | 266374-1 | TAPPING SCREW 4X25          | EA  | 4   |
| 32    | 256491-5 | SHOULDER PIN 5              | EA  | 1   |
| 33    | 263002-9 | RUBBER PIN 4                | EA  | 1   |
| 34    | 210067-2 | BALL BEARING 6000ZZ         | EA  | 1   |
| 35    | 227489-9 | SPIRAL BEVEL GEAR 53 B      | EA  | 1   |
| 36    | 265120-9 | PAN HEAD SCREW M5X16        | PC  | 3   |
| 37    | 285724-1 | BEARING RETAINER 50         | EA  | 1   |
| 38    | 211285-5 | BALL BEARING 6203DDW        | EA  | 1   |
| 39    | 318617-8 | BEARING BOX                 | PC. | 1   |
| 40    | 265541-5 | HEX. SOCKET HEAD BOLT M6X22 | EA  | 4   |
| 41    | 158208-1 | SPINDLE B COMPLETE          | EA  | 1   |
| 43    | 123192-9 | WHEEL COVER 180KK ASSEMBLY  | EA  | 1   |
| 043-1 | 213017-6 | O RING 6                    | PC. | 1   |
| 043-2 | 265198-2 | PAN HEAD SCREW M8X25        | PC. | 1   |
| 44    | 224029-4 | INNER FLANGE 40             | PC. | 1   |
| 45    | 224521-0 | LOCK NUT 16-40              | PC. | 1   |
| 46    | 233946-7 | RING SPRING 15              | EA  | 1   |
| 47    | 892810-7 | CLEAR LABEL                 | EA  | 1   |
| A01   | 152539-0 | GRIP 36                     | EA  | 1   |
| A02   | 782412-6 | LOCK NUT WRENCH 28          | PC  | 1   |