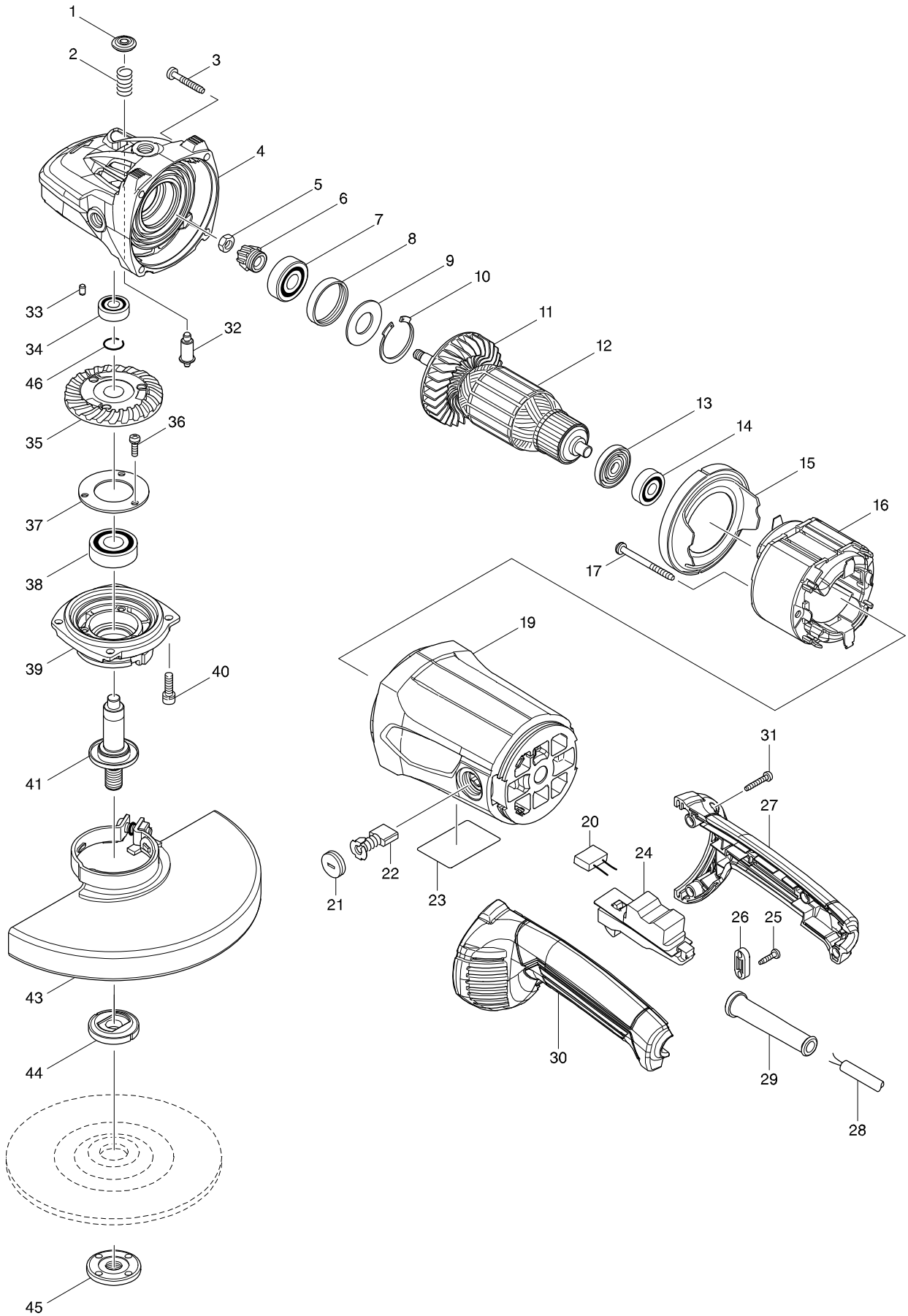


모델번호 M9001 230MM ANGLE GRINDER



모델명 : M9001M

도번	부품코드	품명	단위	소요량
001	419133-4	PIN CAP	EA	1
002	233292-8	COMPRESSION SPRING 12	PC	1
003	266373-3	TAPPING SCREW 5X35	EA	4
004	142753-6	GEAR HOUSING COMPLETE	PC.	1
005	252194-9	HEX. NUT M8	EA	1
006	227490-4	SPIRAL BEVEL GEAR 12	EA	1
007	210104-2	BALL BEARING 6301DDW	EA	1
008	262085-6	RUBBER RING 38	EA	1
009	267299-2	FLAT WASHER 20	EA	1
010	962211-4	RETAINING RING R-42	PC	1
011	240081-4	FAN 80	EA	1
012	516948-1	ARMATURE ASSY 220-240V	EA	1
013	681630-2	INSULATION WASHER	EA	1
014	210070-3	BALL BEARING 6200ZZ	EA	1
015	419135-0	BAFFLE PLATE	EA	1
016	596278-6	FIELD ASSY 220V	EA	1
016-1	654197-3	RING TERMINAL	PC	2
016-2	654502-4	CONNECTOR P-2	PC	2
017	266352-1	TAPPING SCREW 5X65	EA	2
019	143543-0	MOTOR HOUSING COMPLETE	EA	1
019-1	643564-7	BRUSH HOLDER	PC.	2
021	643700-5	BRUSH HOLDER CAP 7-18	EA	2
022	B-80357	CARBON BRUSH SET CB-204A	SET	1
023	850W54-3	M9001 NAME PLATE	EA	1
24	651184-3	SWITCH HY44C	EA	1
25	266326-2	TAPPING SCREW 4X18	PC	2
26	687124-5	STRAIN RELIEF	PC	1
27	187407-8	HANDLE SET	PC.	1
28	696503-6	POWER SUPPLY CORD 1.0-2-2.0	EA	1
29	682540-6	CORD GUARD 9.3-90	EA	1
30	187407-8	HANDLE SET	PC.	1
31	266374-1	TAPPING SCREW 4X25	EA	4
32	256491-5	SHOULDER PIN 5	EA	1
33	263002-9	RUBBER PIN 4	EA	1
34	210067-2	BALL BEARING 6000ZZ	EA	1
35	227491-2	SPIRAL BEVEL GEAR 53 A	EA	1
36	265120-9	PAN HEAD SCREW M5X16	PC	3
37	285724-1	BEARING RETAINER 50	EA	1
38	211285-5	BALL BEARING 6203DDW	EA	1
39	318617-8	BEARING BOX	PC.	1
40	265541-5	HEX. SOCKET HEAD BOLT M6X22	EA	4
41	158208-1	SPINDLE B COMPLETE	EA	1
43	123193-7	WHEEL COVER 230KK ASSEMBLY	EA	1
043-1	213017-6	O RING 6	PC.	1
043-2	265198-2	PAN HEAD SCREW M8X25	PC.	1
44	224029-4	INNER FLANGE 40	PC.	1
45	224521-0	LOCK NUT 16-40	PC.	1
46	233946-7	RING SPRING 15	EA	1
47	892810-7	CLEAR LABEL	EA	1
A01	152539-0	GRIP 36	EA	1
A02	782412-6	LOCK NUT WRENCH 28	PC	1