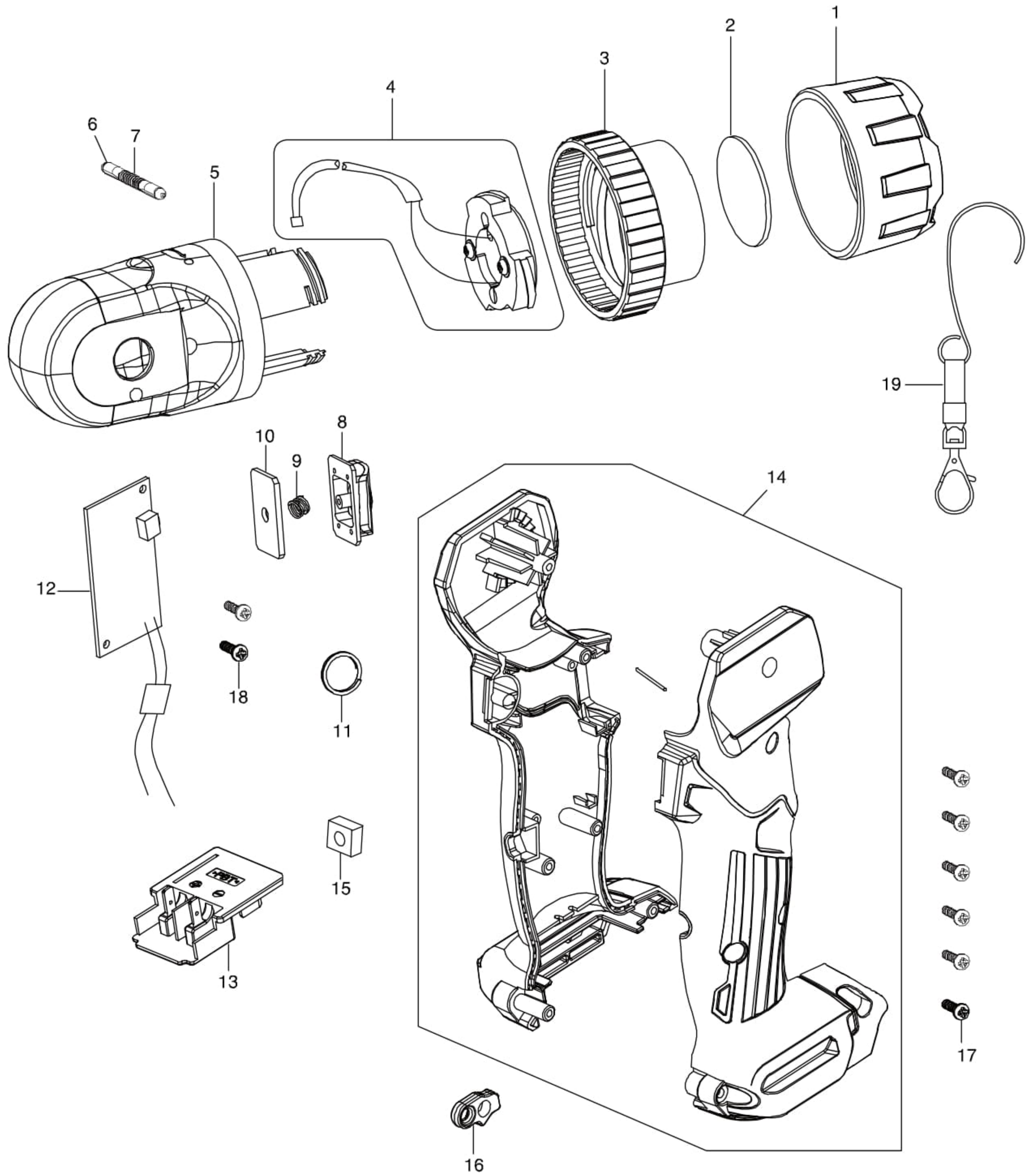


모델번호 ML106 CORDLESS LED FLASH LIGHT



모델명 : ML106

| 도번 | 부품코드 | 품명 | 단위 | 소요량 |
|-----|------------|------------------------------|-----|-----|
| 001 | GM00001964 | PLASTIC BEZEL | EA | 1 |
| 002 | GM00001963 | SEMI-CONVEX LENS | EA | 1 |
| 003 | GM00001962 | METAL FOCUSING RING | EA | 1 |
| 004 | GM00001961 | LED PCBA ASSY | EA | 1 |
| 005 | GM00001960 | AL HEAD BODY ASSY | EA | 1 |
| 006 | GM00001704 | KNOCK SHAFT C4120105001 | PC. | 2 |
| 007 | GM00001958 | KNOCK SHAFT SPRING | EA | 1 |
| 008 | GM00001711 | SWITCH COVER C7420105002 | PC. | 1 |
| 009 | GM00001710 | SWITCH SPRING B1303105021 | PC. | 1 |
| 010 | GM00001709 | SW SPRING HOLDER C0120105003 | PC. | 1 |
| 011 | SM00000190 | RING | PC | 1 |
| 012 | GM00001965 | MAIN PCBA ASSY | EA | 1 |
| 013 | GM00001708 | BATTERY TERMINAL ROS81050303 | PC. | 1 |
| 014 | GM00001705 | HOUSING L/R ASSY ROS81050301 | PC. | 1 |
| 015 | GM00001687 | METAL,SQUARE NUT B0210053000 | PC. | 1 |
| 016 | GM00001706 | METAL HOOK PLATE B2804105921 | PC. | 1 |
| 017 | GM00001024 | SCREW 3X12 20130120202 | PC | 6 |
| 018 | GM00001395 | SCREW 2.6X8PB B0126081102 | EA | 2 |
| 19 | GM00001289 | HOOK BAND SET(G0180200100) | PC. | 1 |