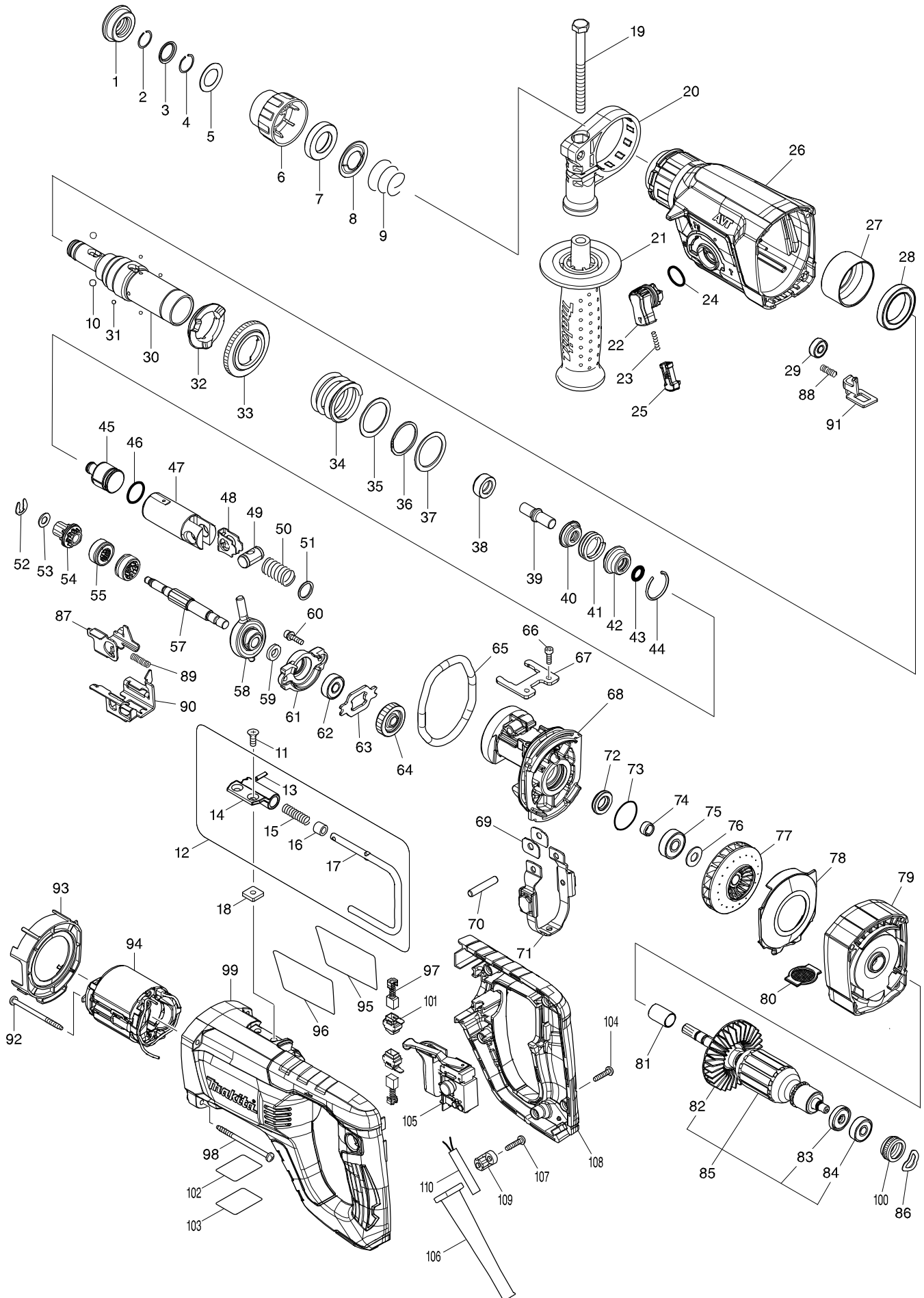
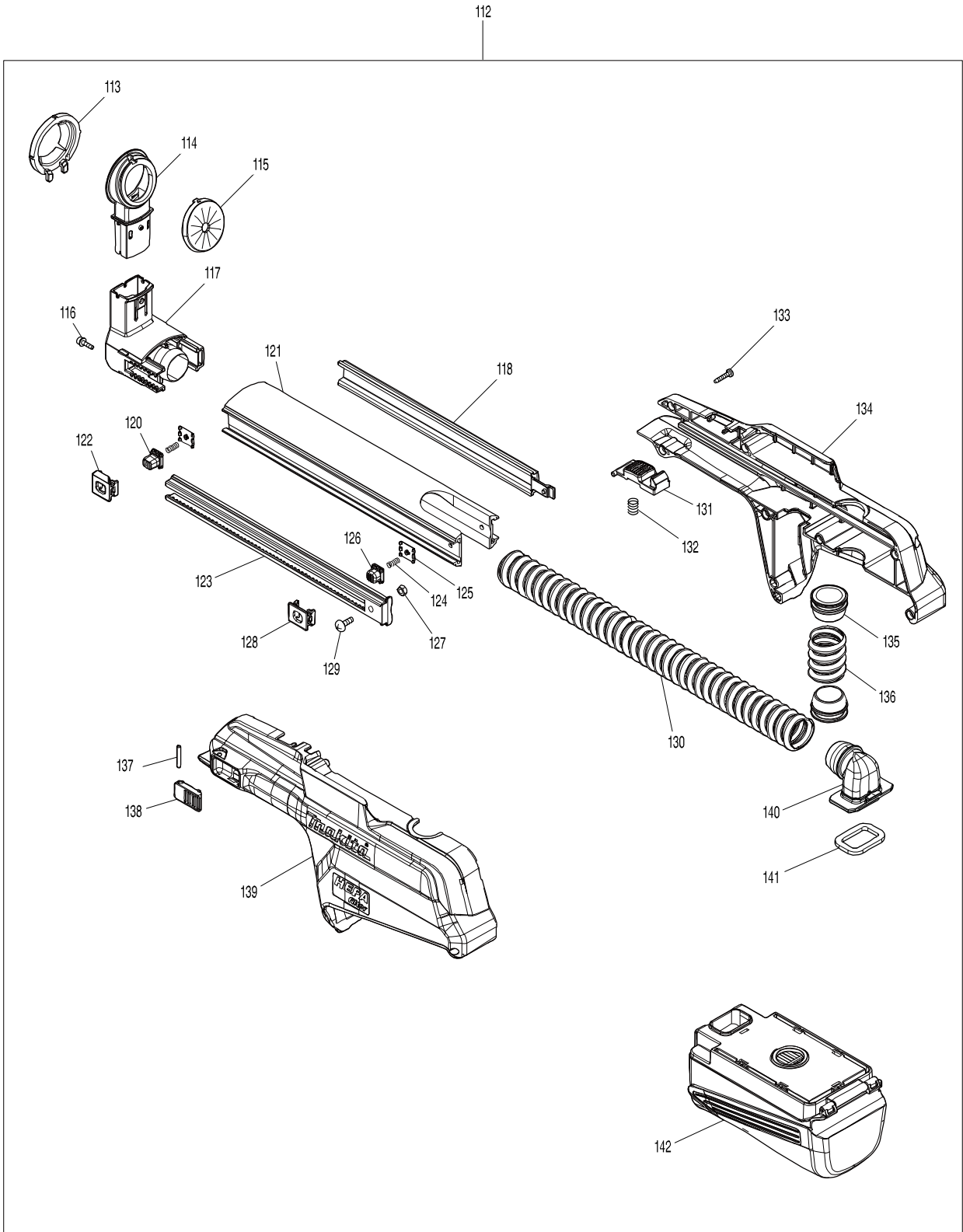


모델번호 HR2661 26MM COMB.HAMMER W/DUST EXT.





모델명 : HR2661

도번	부품코드	품명	단위	소요량
001	286288-8	CAP 35	PC.	1
002	233989-9	RING SPRING 14	PC.	1
003	346834-0	WASHER 16	EA	1
004	233992-0	RING SPRING 15	PC.	1
005	267114-0	FLAT WASHER 17	PC.	1
006	455393-4	CHUCK COVER	EA	1
007	325813-1	RING 21	PC.	1
008	346177-0	GUIDE WASHER	PC.	1
009	233916-6	CONICAL COMPRESSION SPRING	PC	1
010	216022-2	STEEL BALL 7.0	PC	2
011	912207-5	COUNTERSUNK HEAD SCREW M5X10	EA	2
012	126406-5	HOOK ASSEMBLY	EA	1
013	951057-3	SPRING PIN 3-12	PC	1
014	313278-9	JOINT	EA	1
015	233455-6	COMPRESSION SPRING 7	EA	1
016	262561-0	SLEEVE 6	EA	1
017	281218-4	HOOK	EA	1
018	264002-2	SQUARE NUT M5	EA	2
19	266745-2	HEX.BOLT M8*90	PC.	1
20	453129-5	GRIP BASE	PC.	1
21	158057-6	GRIP 36 COMPLETE	PC	1
22	161656-5	CHANGE LEVER COMPLETE	EA	1
23	234264-6	COMPRESSION SPRING3	PC.	1
24	213278-8	O RING 17	PC	1
25	457709-9	LOCK BUTTON	EA	1
26	144615-4	GEAR HOUSING COMPLETE	EA	1
026-1	213636-8	OIL SEAL 25	PC.	1
27	331890-3	CUP SLEEVE	PC.	1
28	211294-4	BALL BEARING 6806LLU	PC.	1
29	210028-2	BALL BEARING 606ZZ	PC	1
30	142972-4	TOOL HOLDER COMPLETE	EA	1
030-1	213344-1	OIL SEAL 9	PC.	1
31	216019-1	STEEL BALL 3	PC	4
32	332139-4	DRIVING FLANGE	EA	1
33	227360-7	SPUR GER 51	EA	1
34	234148-8	COMPRESSION SPRING 31	PC.	1
35	267153-0	FLAT WASHER 30	PC.	1
36	257932-4	SPIRO LOCK WASHER 30	PC.	1
37	267153-0	FLAT WASHER 30	PC.	1
38	325783-4	SLEEVE 9B	PC.	1
39	325789-2	IMPACT BOLT A	PC.	1
40	325792-3	WASHER 10	PC.	1
41	234149-6	COMPRESSION SPRING 20	PC.	1
42	325793-1	O-RING CASE B	PC.	1
43	213073-6	O RING 9	PC	1
44	233979-2	RING SPRING 28	PC.	1
45	325784-2	STRIKER	PC.	1
46	213258-4	O RING 17.5	PC.	1
47	310345-1	PISTON CYLINDER	PC.	1
48	346036-8	GUIDE PLATE	PC.	1
49	324215-8	PISTON JOINT	PC	1
50	234098-7	COMPRESSION SPRING 14	PC.	1
51	267447-3	FLAT WASHER 14	PC.	1
52	257336-0	STOP RING EXT U-6	PC.	1
53	253186-1	FLAT WASHER 7	EA	1
54	227359-2	SPUR GEAR 10	EA	1

모델명 : HR2661

도번	부품코드	품명	단위	소요량
55	332125-5	CLUTCH CAM	EA	2
57	326448-1	CAM SHAFT	EA	1
58	219023-9	SWASH BEARING 10	EA	1
59	257321-3	RING 8	PC.	1
60	266437-3	HEX. SOCKET HEAD BOLT M4X16	EA	2
61	310344-3	BEARING BOX	PC.	1
62	211032-4	BALL BEARING 608ZZ	EA	1
63	285735-6	BEARING RETAINER	PC.	1
64	227748-1	HELICAL GEAR 27	PC.	1
65	213728-3	O-RING 68	PC.	1
66	265353-6	HEX SOCKET HEAD BOLT M4X12	PC	2
67	346222-1	PLATE	EA	1
68	141573-5	INNER HOUSING COMPLETE	EA	1
69	346180-1	WEIGHT HOLDER GUIDE	EA	2
70	256246-8	PIN MUH352	EA	1
71	161655-7	COUNTER WEIGHT	EA	1
72	213678-2	OIL SEAL 12	PC.	1
73	213407-3	O RING 26	PC	1
74	262571-7	SLEEVE 8	PC.	1
75	210042-8	BALL BEARING 629LLB	EA	1
76	253733-8	FLAT WASHER 9	PC	1
77	240182-8	FAN 65	EA	1
78	457711-2	BAFFLE PLATE	EA	1
79	457710-4	FAN HOUSING	EA	1
80	457713-8	FILTER PLATE	EA	1
81	262184-4	SLEEVE 10	EA	1
82	240092-9	FAN 64	PC	1
83	681636-0	INSULATION WASHER	PC	1
84	211021-9	BALL BEARING 607LLB	EA	1
85	515418-7	ARMATURE ASSY 220V	EA	1
86	267804-5	WAVE WASHER 15	PC	1
87	347230-5	CHANGE PLATE B	EA	1
88	233360-7	COMPRESSION SPRING 4	PC	1
89	234343-0	COMPRESSION SPRING 5	EA	1
90	347229-0	CHANGE PLATE A	EA	1
91	347228-2	LOCK PLATE	EA	1
92	266334-3	TAPPING SCREW 4X60	PC	2
93	454979-1	BAFFLE PLATE	EA	1
94	633713-4	FIELD 220V 125T	EA	1
95	819390-8	CLEAR LABEL	PC.	1
96	853M60-7	HR2661 NAME PLATE	EA	1
97	B-80422	CARBON BRUSH SET CB-419A	SET	1
98	266060-4	TAPPING SCREW.FLANGE.PT.4X65	PC	4
99	454977-5	MOTOR HOUSING	EA	1
100	421868-5	LABYRINTH RUBBER RING 19	PC.	1
101	643936-6	BRUSH HOLDER	PC	2
102	853M64-9	HR2661 SERIAL NO. LABEL	EA	1
103	802Y01-2	CLEAR LABEL	EA	1
104	265995-6	TAPPING SCREW 4X18	EA	5
105	650508-0	SWITCH TG813TLB-1	PC	1
106	682573-1	CORD GUARD 10	PC.	1
107	265995-6	TAPPING SCREW 4X18	EA	2
108	454978-3	HANDLE COVER	EA	1
109	687124-5	STRAIN RELIEF	PC	1
110	696546-8	POWER SUPPLY CORD 1.0-2-4.0	EA	1
112	135905-6	DUST CASE ASSY	EA	1

모델명 : HR2661

도번	부품코드	품명	단위	소요량
113	424722-2	FITTING RUBBER	EA	1
114	455736-0	COLLECTOR	EA	1
115	424474-5	SEALING CAP	PC.	1
116	251568-1	H.S.H.BOLT M3*12 WITH WR	EA	2
117	457730-8	COLLECTOR BASE A	EA	1
118	457723-5	PIPE COVER	EA	1
120	457718-8	PUSH BUTTON B	EA	1
121	326988-9	SLIDE PIPE	EA	1
122	457728-5	STOPPER BASE B	EA	1
123	457722-7	RACK GUIDE	EA	1
124	232386-6	COMPRESSION SPRING 4	EA	2
125	457721-9	SPRING PLATE	EA	2
126	457717-0	PUSH BUTTON A	EA	1
127	931102-0	HEX. NUT M4	PC	1
128	457719-6	STOPPER BASE A	EA	1
129	251314-2	SCREW M4X12	EA	1
130	245043-7	HOSE 30 D	EA	1
131	457716-2	LOCK LEVER	EA	1
132	231316-4	COMPRESSION SPRING 7	PC	1
133	266130-9	TAPPING SCREW BIND	EA	8
134	183G77-3	HOUSING SET	EA	1
135	457712-0	JOINT SLEEVE	EA	2
136	245042-9	HOSE 30 C	EA	1
137	256158-5	PIN 3	PC	1
138	457720-1	PUSH LEVER	EA	1
139	183G77-3	HOUSING SET	EA	1
140	457724-3	INNER PIPE	EA	1
141	457725-1	SPONGE SHEET B	EA	1
142	198982-9	DUST CASE SET	EA	1
142-1	196164-7	FILTER SET	EA	1
143	422316-7	RUBBER SHEET	EA	1
144	422317-5	SPONGE SHEET	EA	2
A01	324219-0	DEPTH GUAGE	PC	1
A02	424474-5	SEALING CAP	PC.	5