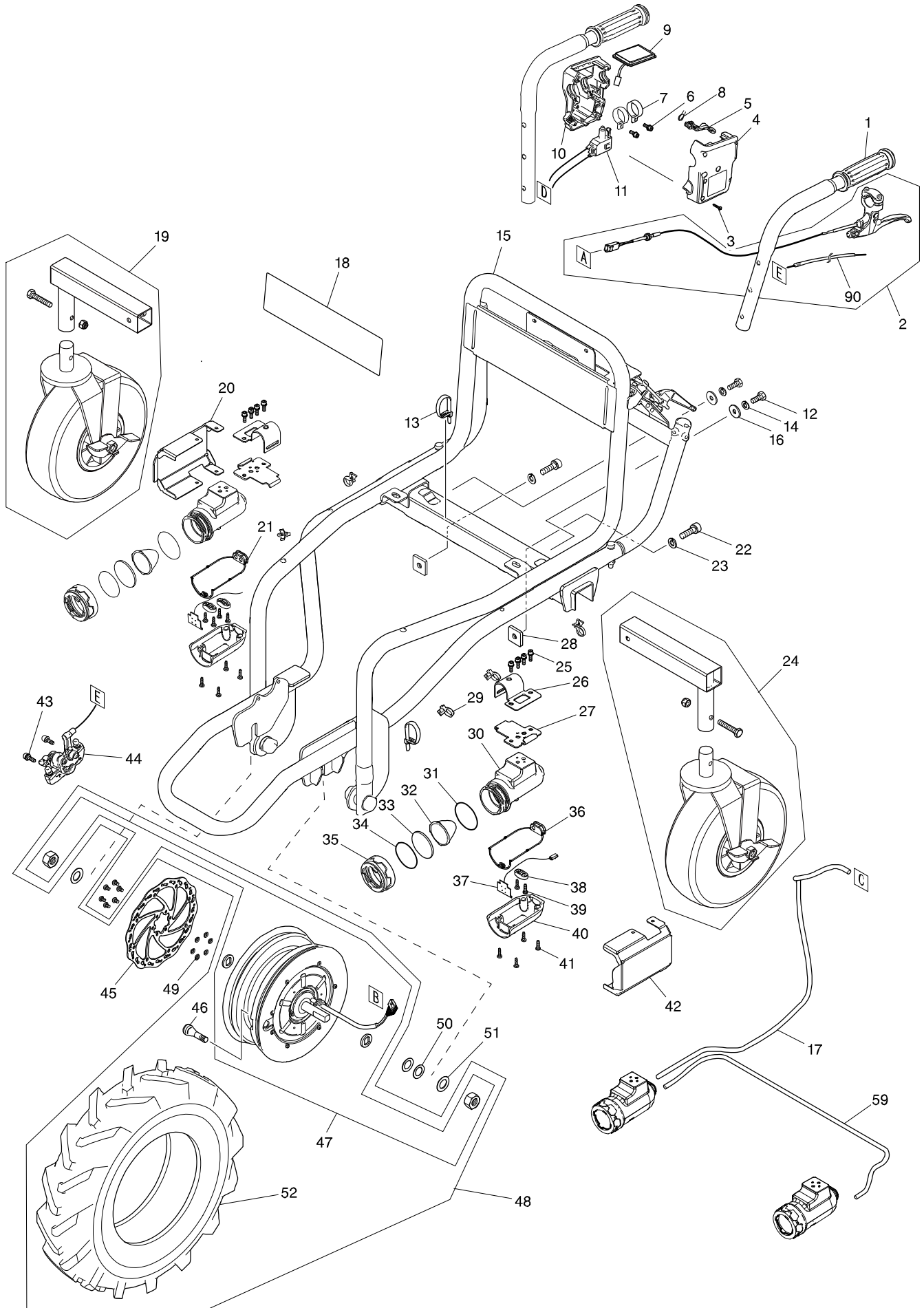
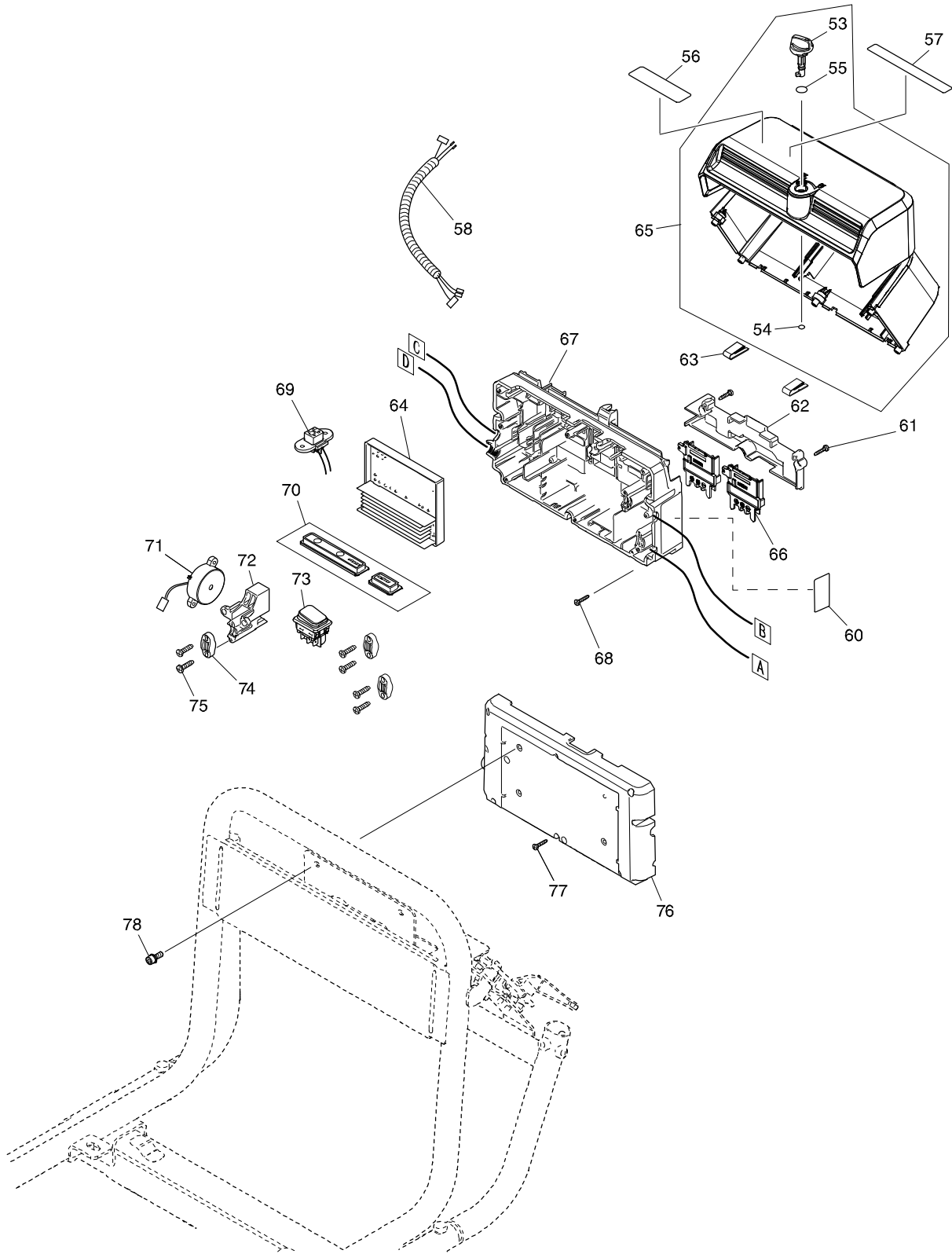


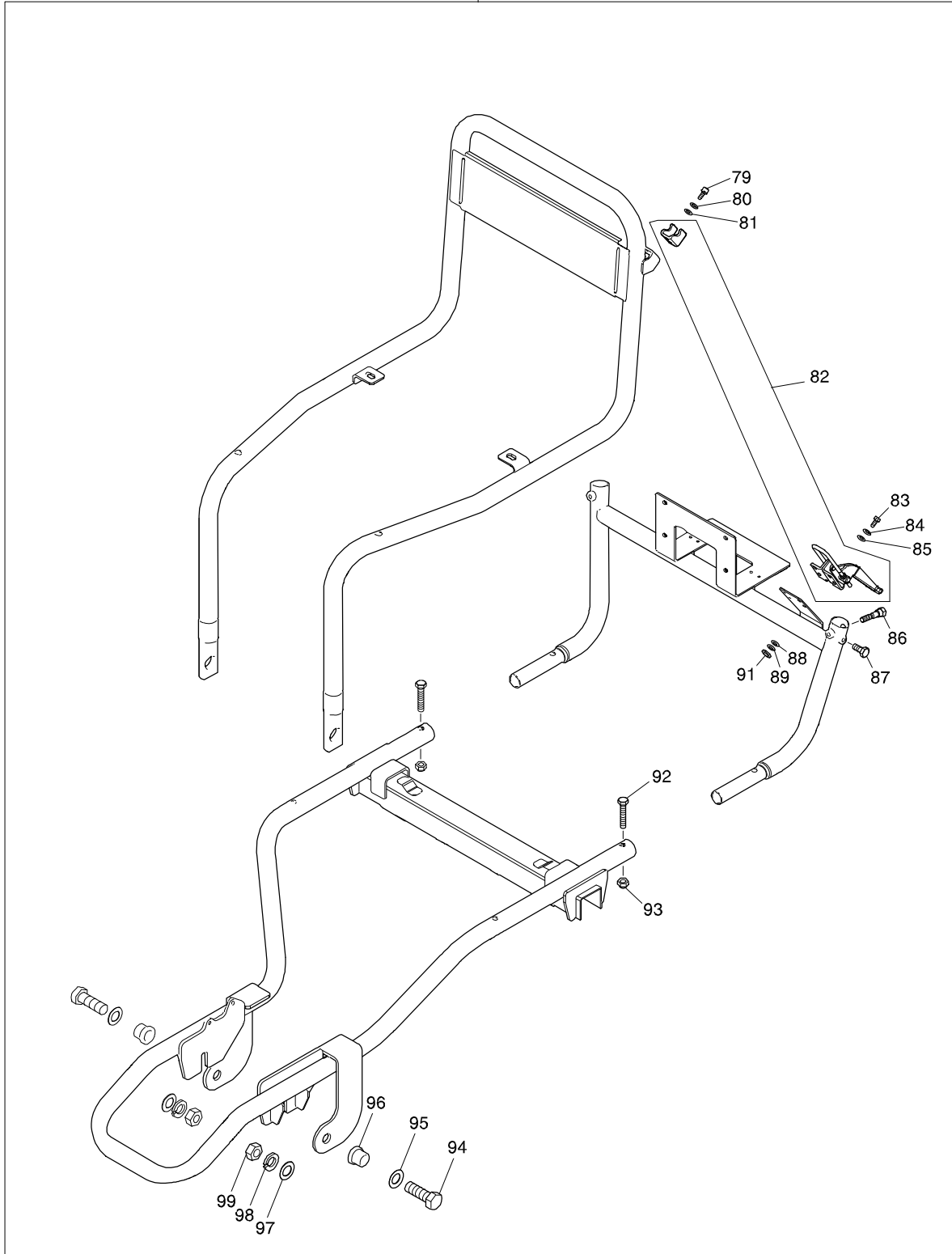
모델번호 DCU180 BATTERY POWERED WHEELBARROW



모델번호 DCU180 BATTERY POWERED WHEELBARROW



15



모델명 : DCU180DZ

| 도번 | 부품코드 | 품명 | 단위 | 소요량 |
|-------|------------|-------------------------------|-----|-----|
| 001 | 161640-0 | HANDLE COMPLETE | EA | 2 |
| 002 | 161648-4 | BRAKE ASSEMBLY | EA | 1 |
| 003 | 266130-9 | TAPPING SCREW BIND | EA | 5 |
| 004 | 183H15-1 | SWITCH BOX SET | EA | 1 |
| 005 | 457633-6 | SWITCH LEVER | EA | 1 |
| 006 | 922223-9 | H.S.H.BOLT M5X16 WITH WR | EA | 2 |
| 007 | 346249-1 | PIPE CLAMP 28 | EA | 2 |
| 008 | 233540-5 | TORSION SPRING 11 | EA | 1 |
| 009 | 144521-3 | SWITCH PLATE COMPLETE | EA | 1 |
| 010 | 183H15-1 | SWITCH BOX SET | EA | 1 |
| 011 | 650781-2 | SWITCH C3JW-6B-P | EA | 1 |
| 012 | 251595-8 | HEX BOLT M8*20 | EA | 2 |
| 013 | 687410-4 | BAND | PC. | 2 |
| 014 | 942201-3 | SPRING WASHER 8 | PC | 2 |
| 015 | 126589-1 | FRAME ASSEMBLY | EA | 1 |
| 016 | 253852-0 | FLAT WASHER 8 | EA | 2 |
| 017 | 699095-4 | POWER SUPPLY CORD UNIT | EA | 1 |
| 018 | 812S79-1 | MAKITA LOGO LABEL | EA | 1 |
| 19 | 126893-8 | REAR TIRE R ASSEMBLY | EA | 1 |
| 019-1 | 161639-5 | JOINT R | EA | 1 |
| 019-2 | 161868-0 | TIRE 260 WITH STOPPER | EA | 1 |
| 019-3 | 921467-8 | HEX.BOLT M8X45 | EA | 1 |
| 019-4 | 252105-4 | HEX.LOCK NUT M8-13 | EA | 1 |
| 20 | 347278-7 | GUARD R | EA | 1 |
| 21 | 422151-3 | PACKING | EA | 1 |
| 22 | 266240-2 | HEX . SOCKET HEAD BOLT M10X25 | PC | 2 |
| 23 | 941251-5 | FLAT WASHER 10 | EA | 2 |
| 24 | 126837-8 | REAR TIRE L ASSY | EA | 1 |
| 024-1 | 161663-8 | JOINT L | EA | 1 |
| 024-2 | 161868-0 | TIRE 260 WITH STOPPER | EA | 1 |
| 024-3 | 921467-8 | HEX.BOLT M8X45 | EA | 1 |
| 024-4 | 252105-4 | HEX.LOCK NUT M8-13 | EA | 1 |
| 25 | 922223-9 | H.S.H.BOLT M5X16 WITH WR | EA | 8 |
| 26 | 347238-9 | CLAMP A | EA | 2 |
| 27 | 347239-7 | CLAMP B | EA | 2 |
| 28 | 347394-5 | PLATE | EA | 2 |
| 29 | 687849-1 | BAND | EA | 5 |
| 30 | 319594-7 | LIGHT CASE | EA | 2 |
| 31 | 213656-2 | O RING 53 | EA | 2 |
| 32 | 457636-0 | REFLECTOR | EA | 2 |
| 33 | 457634-4 | LENS | EA | 2 |
| 34 | 213604-1 | O RING 50 | PC | 2 |
| 35 | 457635-2 | COVER | EA | 2 |
| 36 | 422166-0 | PACKING | EA | 1 |
| 37 | 620685-2 | LED CIRCUIT | EA | 2 |
| 38 | 687123-7 | STRAIN RELIEF | EA | 3 |
| 39 | 266034-5 | TAPPING SCREW CT 4X16 | EA | 6 |
| 40 | 319595-5 | LIGHT CASE COVER | EA | 2 |
| 41 | 266034-5 | TAPPING SCREW CT 4X16 | EA | 8 |
| 42 | 347279-5 | GUARD L | EA | 1 |
| 43 | 922328-5 | H.S.H.BOLT M6X18 WITH WR | PC. | 2 |
| 44 | 161641-8 | BRAKE CALIPER ASSEMBLY | EA | 1 |
| 45 | 347208-8 | BRAKE DISC | EA | 1 |
| 46 | 161638-7 | SNAP IN VALVE | EA | 1 |
| 47 | 126590-6 | WHEEL | EA | 1 |
| 047-1 | BF00000002 | HEX BOLT M16*1.5*13 | EA | 2 |

모델명 : DCU180DZ

| 도번 | 부품코드 | 품명 | 단위 | 소요량 |
|-------|------------|----------------------------|-----|-----|
| 047-2 | BF00000003 | STOP WHEEL 16*25*3 | EA | 2 |
| 047-3 | BF00000001 | HEAD SCREW M5*8 | EA | 6 |
| 48 | 126734-8 | FRONT TIRE ASSEMBLY | EA | 1 |
| 49 | 941102-2 | FLAT WASHER 5 | PC | 6 |
| 50 | 232247-0 | CONED DISC SPRING 16 | EA | 2 |
| 51 | 253377-4 | FLAT WASHER 17 | EA | 2 |
| 52 | 422159-7 | FRONT TIRE 430 | EA | 1 |
| 53 | 457625-5 | LEVER 25 | EA | 1 |
| 54 | 213005-3 | O RING 5 | PC | 1 |
| 55 | 213078-6 | O-RING 10 | PC. | 1 |
| 56 | 816M70-5 | INDICATION LABEL | EA | 1 |
| 57 | 816N32-9 | CAUTION LABEL | EA | 1 |
| 58 | 632K49-4 | LEAD UNIT | EA | 1 |
| 59 | 699096-2 | POWER SUPPLY CORD UNIT | EA | 1 |
| 059-1 | 682576-5 | CORD MET | EA | 1 |
| 059-2 | 688162-0 | LINE FILTER | PC. | 2 |
| 60 | 853S84-9 | DCU180 NAME PLATE | EA | 1 |
| 61 | 266130-9 | TAPPING SCREW BIND | EA | 2 |
| 62 | 457629-7 | TERMINAL HOLDER | EA | 1 |
| 63 | 232267-4 | LEAF SPRING | EA | 2 |
| 64 | 620675-5 | CONTROLLER | EA | 1 |
| 65 | 135934-9 | BATTERY BOX ASSY | EA | 1 |
| 66 | 643874-2 | TERMINAL | EA | 2 |
| 67 | 144519-0 | CENTER CASE COMPLETE | EA | 1 |
| 067-1 | 263005-3 | RUBBER PIN 6 | EA | 4 |
| 68 | 266130-9 | TAPPING SCREW BIND | EA | 5 |
| 69 | 632K50-9 | LEAD UNIT | EA | 1 |
| 70 | 144520-5 | SUB CONTROLLER COMPLETE | EA | 1 |
| 71 | 620684-4 | BUZZER CIRCUIT | EA | 1 |
| 72 | 457630-2 | COVER | EA | 1 |
| 73 | 651534-2 | SWITCH 1934.3112B | PC. | 1 |
| 74 | 687123-7 | STRAIN RELIEF | EA | 3 |
| 75 | 266326-2 | TAPPING SCREW 4X18 | PC | 6 |
| 76 | 457628-9 | FRONT COVER | EA | 1 |
| 77 | 266130-9 | TAPPING SCREW BIND | EA | 8 |
| 78 | 922218-2 | HEX SOCKET HEAD BOLT M5*14 | EA | 4 |
| 79 | TR00000069 | HEX.AGONAL BOLT M5*14 | EA | 2 |
| 80 | 942101-7 | SPRING WAHSER 5 | EA | 2 |
| 81 | 941101-4 | FLAT WASHER 5 | EA | 2 |
| 82 | TR00000067 | QUICK MINGLE | EA | 1 |
| 83 | TR00000068 | HEX.AGONAL BOLT M5*16 | EA | 4 |
| 84 | 942101-7 | SPRING WAHSER 5 | EA | 4 |
| 85 | 941101-4 | FLAT WASHER 5 | EA | 4 |
| 86 | 251594-0 | SHOULDER HEX BOLT M8*40 | EA | 2 |
| 87 | 251595-8 | HEX BOLT M8*20 | EA | 2 |
| 88 | 941101-4 | FLAT WASHER 5 | EA | 4 |
| 89 | 942101-7 | SPRING WAHSER 5 | EA | 4 |
| 90 | 144700-3 | BRAKE CABLE | EA | 1 |
| 91 | 931202-6 | HEX. NUT M5 | EA | 4 |
| 92 | 921467-8 | HEX.BOLT M8X45 | EA | 2 |
| 93 | 252105-4 | HEX.LOCK NUT M8-13 | EA | 2 |
| 94 | TR00000070 | HEX.AGONAL BOLT | EA | 2 |
| 95 | TR00000073 | WASHER 17 | EA | 2 |
| 96 | 326968-5 | SLEEVE 17 | EA | 2 |
| 97 | TR00000073 | WASHER 17 | EA | 2 |
| 98 | TR00000072 | WASHER 16 | EA | 2 |

모델명 : DCU180DZ

| 도번 | 부품코드 | 품명 | 단위 | 소요량 |
|-----|------------|------------------------|-----|-----|
| 99 | TR00000071 | HEX.AGONAL NUT | EA | 2 |
| A01 | 144675-6 | FOOT COMPLETE | EA | 2 |
| A02 | 455588-9 | WIRE CLAMP | EA | 2 |
| A03 | 643890-4 | KEY | PC. | 1 |
| A04 | 781006-4 | WRENCH 13 | PC | 2 |
| B01 | 198494-2 | BUCKET SET | PC. | 0 |
| B02 | 199116-7 | CARRIER SET FOR DCU180 | PC. | 0 |
| E01 | 688162-0 | LINE FILTER | PC. | 2 |