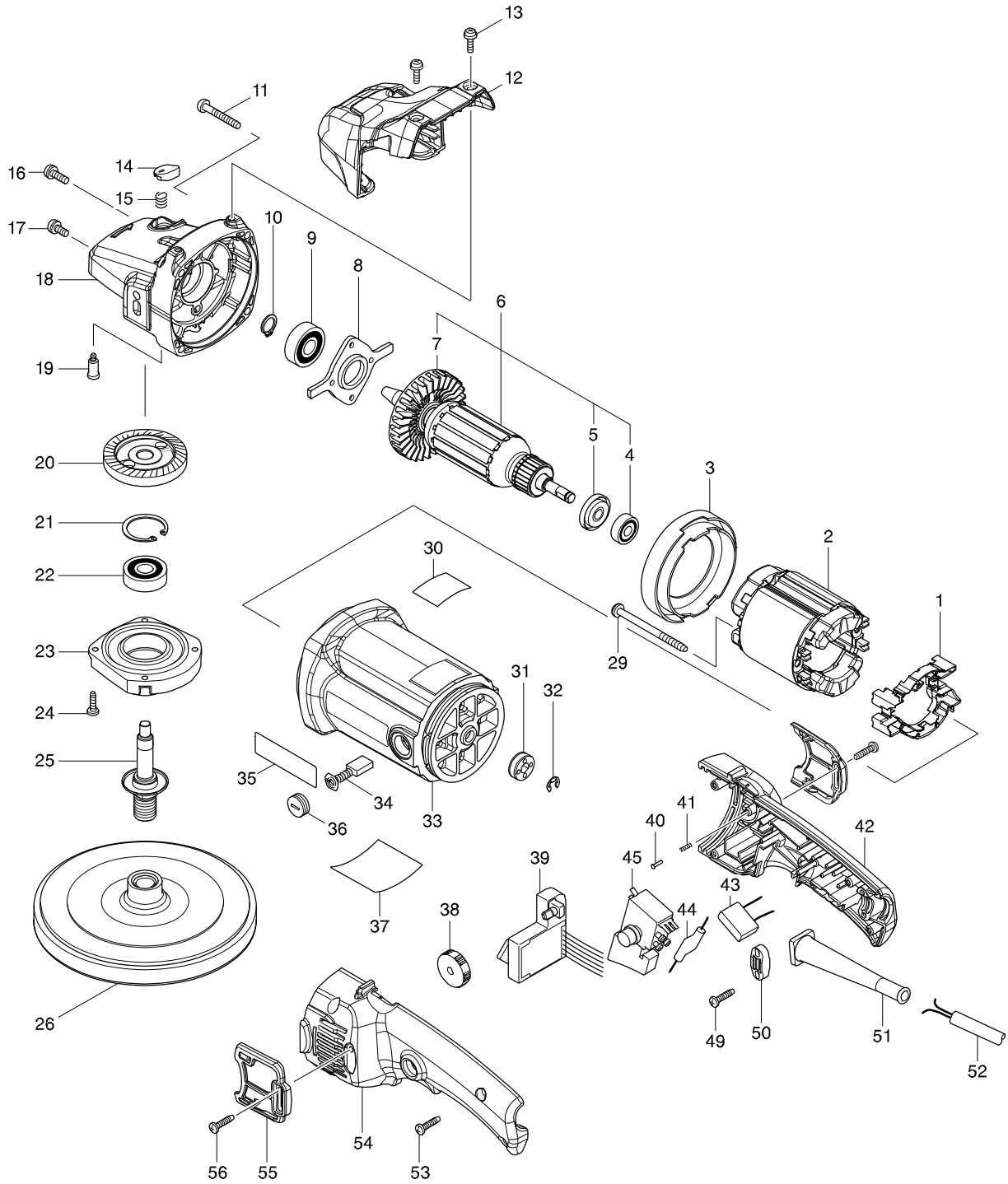


모델번호 9237CB 180MM POLISER



모델명 : 9237CB

도번	부품코드	품명	단위	소요량
001	539168-0	SUPPORT ASSY	EA	1
001-1	654020-2	RING TERMINAL	PC	1
001-2	654501-6	CONNECTOR P-1.25	PC	1
002	634293-3	FIELD 220/240V	PC	1
003	416253-5	BAFFLE PLATE	PC	1
004	211031-6	BALL BEARING 608LLB	EA	1
005	681644-1	INSULATED WASHER	PC	1
006	516308-7	ARMATURE ASSY 220/240V	PC	1
007	240002-6	FAN 70	PC	1
008	285687-1	BEARING RETAINER 48	PC	1
009	211106-1	BALL BEARING 6201LLB	EA	1
010	961052-5	RETAINING RING S-12	EA	1
011	266012-5	TAPPING SCREW .FLANGE 5X35	EA	4
012	455291-2	HEAD COVER	EA	1
013	911118-1	PAN HEAD SCREW M4X12	EA	2
014	415491-6	PIN CAP	EA	1
015	233072-2	COMPRESSION SPRING 8	EA	1
016	911221-8	PAN HEAD SCREW M5X16	EA	1
17	911211-1	PAN HEAD SCREW M5X12	EA	1
18	142747-1	GEAR HOUSING COMPLETE	EA	1
19	256504-2	SHOULDER PIN 9	EA	1
20	227512-0	SPIRAL BEVEL GEAR 52	EA	1
21	962151-6	RETAINING RING R-32	EA	1
22	211106-1	BALL BEARING 6201LLB	EA	1
23	316896-2	BEARING BOX	PC	1
24	266034-5	TAPPING SCREW CT 4X16	EA	4
25	152553-6	SPINDLE COMPLETE	PC	1
025-1	344347-5	LABYRINTH RING	EA	1
26	743054-1	PAD 165	PC	1
29	266038-7	TAPPING SCREW 5X70	PC	2
30	804M47-2	INDICATION LABEL	EA	1
31	688110-9	MAGNET SLEEVE	PC	1
32	961012-7	STOP RING E-6	PC	1
33	187958-1	MOTOR HOUSING SET	EA	1
033-1	643708-9	BRUSH HOLDER 5-11	PC	2
34	194996-6	CARBON BRUSH CB-303	EA	1
36	643750-0	BRUSH HOLDER CAP	EA	2
036-1	643515-0	HOLDER CAP 7-11	EA	2
37	815Y34-8	9237CB NAME PLATE	EA	1
38	271417-6	DIAL 28	PC	1
39	631227-7	CONTROLLER 200-250V	PC	1
40	255058-6	RIVET 2	PC	1
41	233002-3	COMPRESSION SPRING 3	PC	1
42	187917-5	HANDLE SET	EA	1
43	645200-1	NOISE SUPPRESSOR	PC	1
44	646077-7	CHOKE COIL	PC	1
45	651282-3	SWITCH	PC	1
49	265995-6	TAPPING SCREW 4X18	EA	2
50	687052-4	STRAIN RELIEF	EA	1
51	682573-1	CORD GUARD 10	PC.	1
52	696546-8	POWER SUPPLY CORD 1.0-2-4.0	EA	1
53	265995-6	TAPPING SCREW 4X18	EA	4
54	187917-5	HANDLE SET	EA	1
55	455288-1	DUST COVER	EA	2
56	265995-6	TAPPING SCREW 4X18	EA	2
A01	266171-5	HEX. SOCKET HEAD BOLT M8X25	PC	2

모델명 : 9237CB

도번	부품코드	품명	단위	소요량
A02	783204-6	HEX. WRENCH 6	PC	1
A03	262542-4	SLEEVE 18	PC	1
A04	455293-8	LOOP HANDLE	EA	1
A05	192629-7	WOOL PAD 180 SET	PC	1
B01	794176-0	WOOL BONNET 180	PC	0
B02	224523-6	SANDING LOCK NUT 16-48 M16X2	PC	0
B03	743012-7	RUBBER PAD 170	PC	0