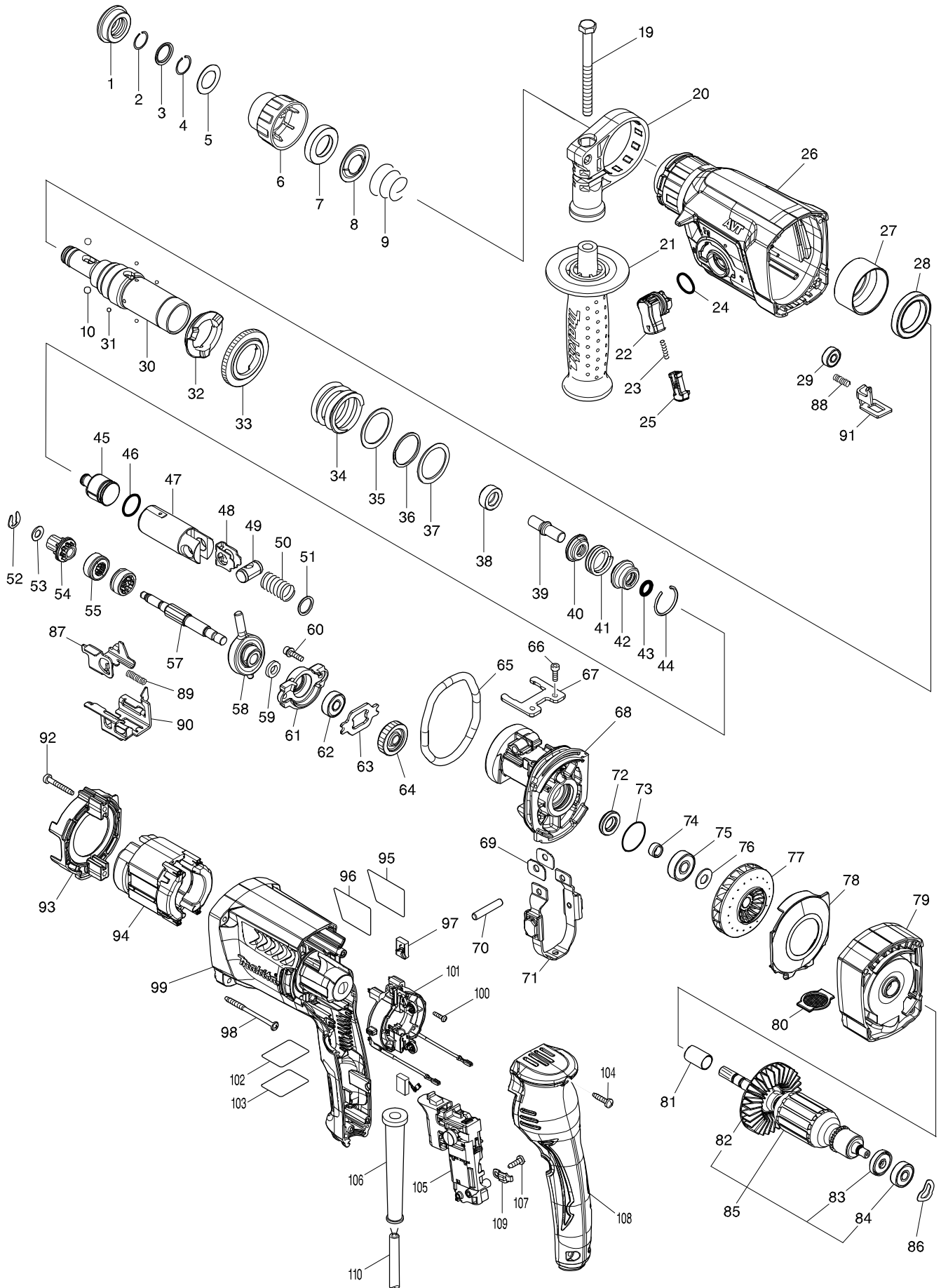
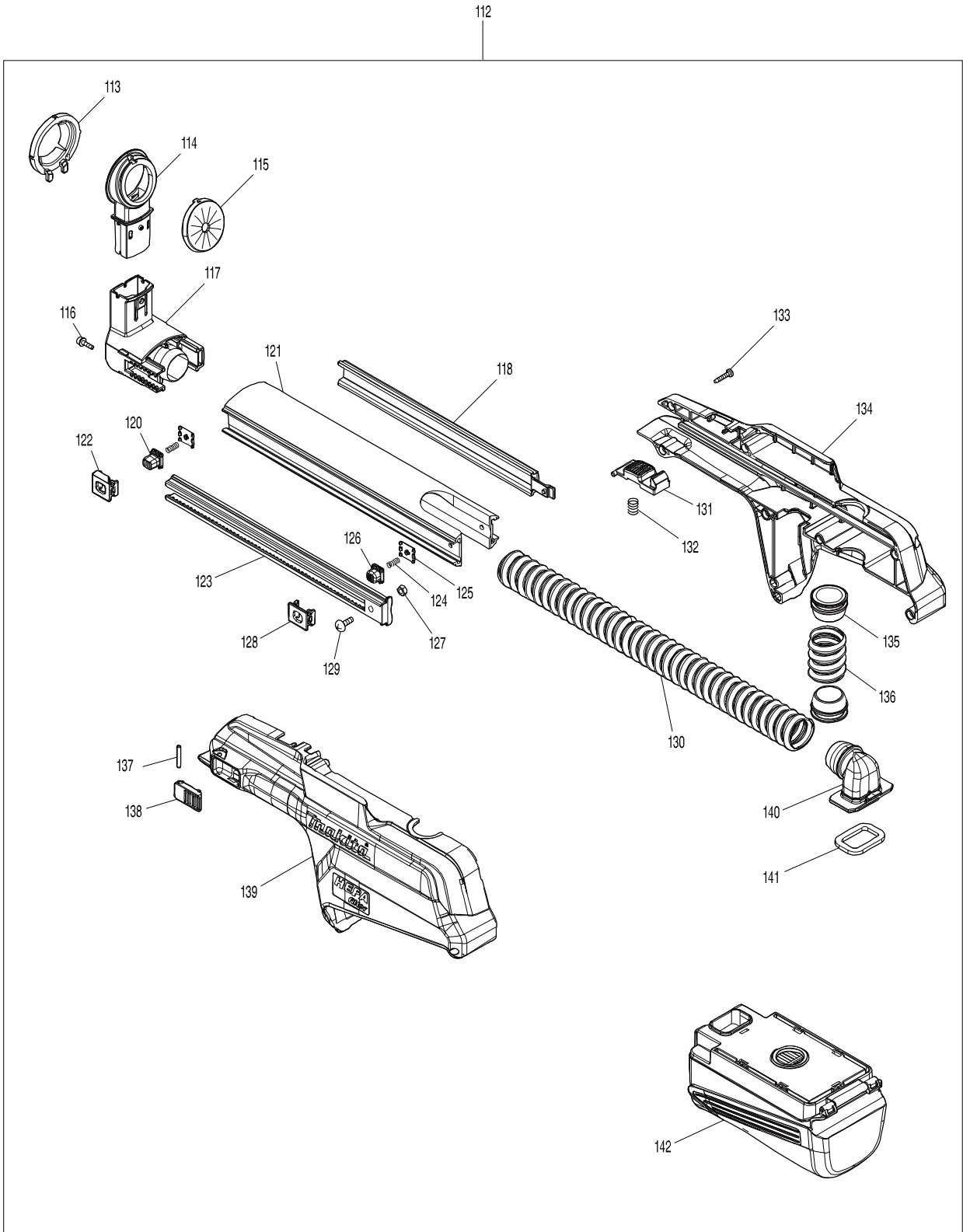


모델번호 HR2651 26MM COMB.HAMMER W/DUST EXT.





모델명 : HR2651

도번	부품코드	품명	단위	소요량
001	286288-8	CAP 35	PC.	1
002	233989-9	RING SPRING 14	PC.	1
003	346834-0	WASHER 16	EA	1
004	233992-0	RING SPRING 15	PC.	1
005	267114-0	FLAT WASHER 17	PC.	1
006	455393-4	CHUCK COVER	EA	1
007	325813-1	RING 21	PC.	1
008	346177-0	GUIDE WASHER	PC.	1
009	233916-6	CONICAL COMPRESSION SPRING	PC	1
010	216022-2	STEEL BALL 7.0	PC	2
019	266745-2	HEX.BOLT M8*90	PC.	1
020	453129-5	GRIP BASE	PC.	1
021	158057-6	GRIP 36 COMPLETE	PC	1
022	161656-5	CHANGE LEVER COMPLETE	EA	1
023	234264-6	COMPRESSION SPRING3	PC.	1
024	213278-8	O RING 17	PC	1
025	457709-9	LOCK BUTTON	EA	1
026	144615-4	GEAR HOUSING COMPLETE	EA	1
026-1	213636-8	OIL SEAL 25	PC.	1
027	331890-3	CUP SLEEVE	PC.	1
028	211294-4	BALL BEARING 6806LLU	PC.	1
029	210028-2	BALL BEARING 606ZZ	PC	1
030	142972-4	TOOL HOLDER COMPLETE	EA	1
030-1	213344-1	OIL SEAL 9	PC.	1
031	216019-1	STEEL BALL 3	PC	4
032	332139-4	DRIVING FLANGE	EA	1
033	227360-7	SPUR GER 51	EA	1
034	234148-8	COMPRESSION SPRING 31	PC.	1
035	267153-0	FLAT WASHER 30	PC.	1
036	257932-4	SPIRO LOCK WASHER 30	PC.	1
037	267153-0	FLAT WASHER 30	PC.	1
038	325783-4	SLEEVE 9B	PC.	1
039	325789-2	IMPACT BOLT A	PC.	1
040	325792-3	WASHER 10	PC.	1
041	234149-6	COMPRESSION SPRING 20	PC.	1
042	325793-1	O-RING CASE B	PC.	1
043	213073-6	O RING 9	PC	1
044	233979-2	RING SPRING 28	PC.	1
045	325784-2	STRIKER	PC.	1
046	213258-4	O RING 17.5	PC.	1

도번	부품코드	품명	단위	소요량
047	310345-1	PISTON CYLINDER	PC.	1
048	346036-8	GUIDE PLATE	PC.	1
049	324215-8	PISTON JOINT	PC	1
050	234098-7	COMPRESSION SPRING 14	PC.	1
051	267447-3	FLAT WASHER 14	PC.	1
052	257336-0	STOP RING EXT U-6	PC.	1
053	253186-1	FLAT WASHER 7	EA	1
054	227359-2	SPUR GEAR 10	EA	1
055	332125-5	CLUTCH CAM	EA	2
057	326448-1	CAM SHAFT	EA	1
058	219023-9	SWASH BEARING 10	EA	1
059	257321-3	RING 8	PC.	1
060	266437-3	HEX. SOCKET HEAD BOLT M4X16	EA	2
061	310344-3	BEARING BOX	PC.	1
062	211032-4	BALL BEARING 608ZZ	EA	1
063	285735-6	BEARING RETAINER	PC.	1
064	227719-8	HELICAL GEAR 26	PC.	1
065	213728-3	O-RING 68	PC.	1
066	265353-6	HEX SOCKET HEAD BOLT M4X12	PC	2
067	346222-1	PLATE	EA	1
068	141573-5	INNER HOUSING COMPLETE	EA	1
069	346180-1	WEIGHT HOLDER GUIDE	EA	2
070	256246-8	PIN MUH352	EA	1
071	161655-7	COUNTER WEIGHT	EA	1
072	213678-2	OIL SEAL 12	PC.	1
073	213407-3	O RING 26	PC	1
074	262569-4	SLEEVE 9	PC.	1
075	210042-8	BALL BEARING 629LLB	EA	1
076	253733-8	FLAT WASHER 9	PC	1
077	240182-8	FAN 65	EA	1
078	457711-2	BAFFLE PLATE	EA	1
079	457710-4	FAN HOUSING	EA	1
080	457713-8	FILTER PLATE	EA	1
081	262184-4	SLEEVE 10	EA	1
082	240121-8	FAN 65	PC.	1
083	681652-2	INSULATION WASHER	EA	1

도번	부품코드	품명	단위	소요량
084	210023-2	BALL BEARING 627DDW	PC	1
085	515423-4	ARMATURE ASSY 220V	EA	1
086	267804-5	WAVE WASHER 15	PC	1
087	347230-5	CHANGE PLATE B	EA	1
088	233360-7	COMPRESSION SPRING 4	PC	1
089	234343-0	COMPRESSION SPRING 5	EA	1
090	347229-0	CHANGE PLATE A	EA	1
091	347228-2	LOCK PLATE	EA	1
092	266361-0	TAPPING SCREW 4X30	PC.	2
093	451527-7	BAFFLE PLATE	PC.	1
094	621873-4	FIELD 220V	EA	1
095	819390-8	CLEAR LABEL	PC.	1
096	853L95-2	HR2651 NAME PLATE	EA	1
097	195001-2	CARBON BRUSH CB-325	SET	1
098	266334-3	TAPPING SCREW 4X60	PC	4
099	451536-6	MOTOR HOUSING	PC.	1
100	266556-5	TAPPING SCREW 3X12	PC.	2
101	632K38-9	BRUSH HOLDER UNIT	EA	1
102	853M00-5	HR2651 SERIAL NO. LABEL	EA	1
103	819389-3	CLEAR LABEL	PC.	1
104	266326-2	TAPPING SCREW 4X18	PC	3
105	651090-2	SWITCH TG853TB-3	EA	1
106	682566-8	CORD GUARD 10	PC	1
107	266385-6	TAPPING SCREW 4X14	EA	1
108	451528-5	HANDLE COVER	PC.	1
109	687682-1	STRAIN RELIEF	PC.	1
110	696546-8	POWER SUPPLY CORD 1.0-2-4.0	EA	1
112	136006-3	DUST CASE ASSY	EA	1
113	424722-2	FITTING RUBBER	EA	1
114	455736-0	COLLECTOR	EA	1
115	424474-5	SEALING CAP	PC.	1
116	251568-1	H.S.H.BOLT M3*12 WITH WR	EA	2
117	457730-8	COLLECTOR BASE A	EA	1
118	457723-5	PIPE COVER	EA	1

도번	부품코드	품명	단위	소요량
120	457718-8	PUSH BUTTON B	EA	1
121	326988-9	SLIDE PIPE	EA	1
122	457728-5	STOPPER BASE B	EA	1
123	457722-7	RACK GUIDE	EA	1
124	232386-6	COMPRESSION SPRING 4	EA	2
125	457721-9	SPRING PLATE	EA	2
126	457717-0	PUSH BUTTON A	EA	1
127	931102-0	HEX. NUT M4	PC	1
128	457719-6	STOPPER BASE A	EA	1
129	251314-2	+ SCREW M4X12	EA	1
130	245043-7	HOSE 30 D	EA	1
131	458668-0	LOCK LEVER	EA	1
132	231316-4	COMPRESSION SPRING 7	PC	1
133	266130-9	TAPPING SCREW BIND	EA	8
134	183G77-3	HOUSING SET	EA	1
135	457712-0	JOINT SLEEVE	EA	2
136	245047-9	HOSE 30	EA	1
137	256158-5	PIN 3	PC	1
138	457720-1	PUSH LEVER	EA	1
139	183G77-3	HOUSING SET	EA	1
140	457724-3	INNER PIPE	EA	1
141	457725-1	SPONGE SHEET B	EA	1
142	198982-9	DUST CASE SET	EA	1
142	196164-7	FILTER SET	EA	1
143	422316-7	RUBBER SHEET	EA	1
144	422317-5	SPONGE SHEET	EA	2
A01	324219-0	DEPTH GUAGE	PC	1
A02	424474-5	SEALING CAP	PC.	5