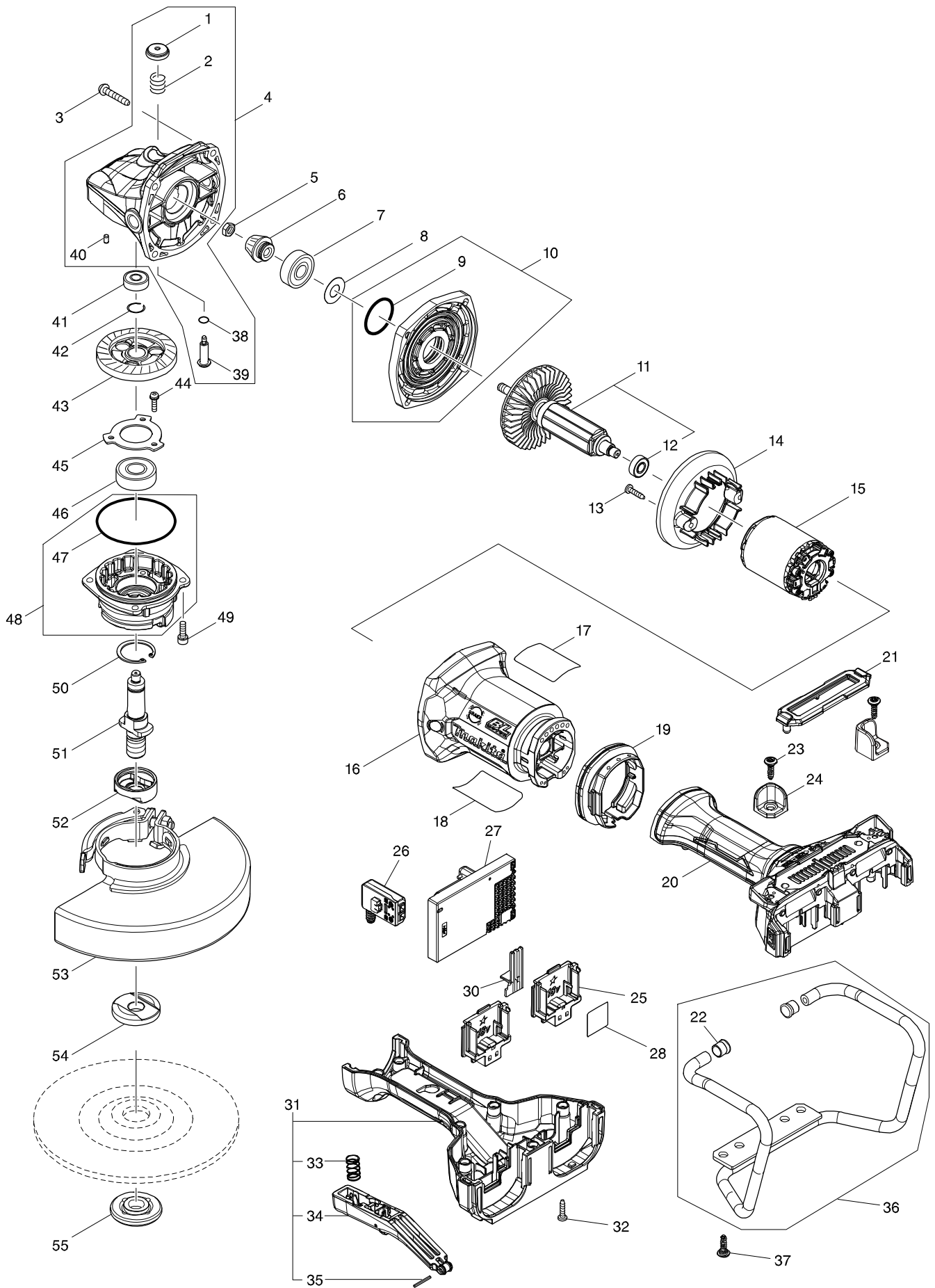


모델번호 DGA700 180MM CORDLESS ANGLE GRINDER



**모델명 : DGA700**

도번	부품코드	품명	단위	소요량
001	451485-7	PIN CAP	PC.	1
002	233089-5	COMPRESSION SPRING 12	EA	1
003	266173-1	TAPPING SCREW M5X30	PC	4
004	135918-7	GEAR HOUSING ASSY	EA	1
005	264010-3	HEX.NUT M7	EA	1
006	227564-1	SPIRAL BEVEL GEAR 10A	PC.	1
007	211137-0	BALL BEARING 6201LLU	EA	1
008	253759-0	FLAT WASHER 12	PC	1
009	213459-4	O RING 32	EA	1
010	135916-1	GEAR HOUSING COVER ASSY	EA	1
011	519436-7	ROTOR ASSY	EA	1
012	211166-3	BALL BEARING 698DDW	EA	1
013	266326-2	TAPPING SCREW 4X18	PC	2
014	457618-2	BUFFLE PLATE	EA	1
015	629260-1	STATOR DC36V	EA	1
016	457615-8	MOTOR HOUSING	EA	1
018	853J61-7	DGA700 NAME PLATE	EA	1
019	457619-0	VIBRATION PROOF RUBBER	EA	1
020	135920-0	HANDLE SWITCH LEVER ASSY	EA	1
021	457620-5	DUST COVER	EA	1
022	422230-7	CAP	EA	2
023	251587-7	H.L.TAPPING SCREW 5*18	EA	2
024	327048-0	PROTECTION BLOCK	EA	2
025	644809-6	TERMINAL	EA	2
026	651083-9	SWITCH C3XA-1PSPM	EA	1
027	135935-7	CONTROLLER ASSY	EA	1
028	853J70-6	DGA700 SERIAL NO. LABEL	EA	1
030	457621-3	LENS	EA	1
031	135920-0	HANDLE SWITCH LEVER ASSY	EA	1
032	265999-8	TAPPING SCREW 4X25	EA	7
033	234357-9	COMPRESSION SPRING 11	EA	1
034	144584-9	SWITCH LEVER COMPLETE	EA	1
035	951019-1	SPRING PIN 2-20	PC.	1
036	135919-5	GUARD PIPE ASSY	EA	1
037	251587-7	H.L.TAPPING SCREW 5*18	EA	4
038	213026-5	O RING 7	PC	1
039	256516-5	SHOULDER PIN 11	PC.	1
040	263002-9	RUBBER PIN 4	EA	1
041	210029-0	BALL BEARING 608ZZ	PC	1
042	233925-5	RING SPRING 13	EA	1

도번	부품코드	품명	단위	소요량
043	227562-5	SPIRAL BEVEL GEAR 38	PC.	1
044	911128-8	PAN HEAD SCREW M4X16	EA	3
045	285851-4	BEARING RETAINER	PC.	1
046	211241-5	BALL BEARING 6202DDW	PC	1
047	213720-9	O RING 67	PC	1
048	135917-9	BEARING BOX ASSY	EA	1
049	922221-3	HEX. SOCKET HEAD BOLT M5X16	EA	4
050	962151-6	RETAINING RING R-32	EA	1
051	326965-1	SPINDLE B	EA	1
052	310801-1	LEAD FLANGE A	EA	1
053	126632-6	TOOLLESS WHEEL COVER 180KK AS	EA	1
054	224595-1	INNER FLANGE 46B	EA	1
055	224487-4	LOCK NUT 16-45	EA	1
A01	143486-6	GRIP 37 COMPLETE	EA	1
A02	782407-9	LOCK NUT WRENCH 35	EA	1