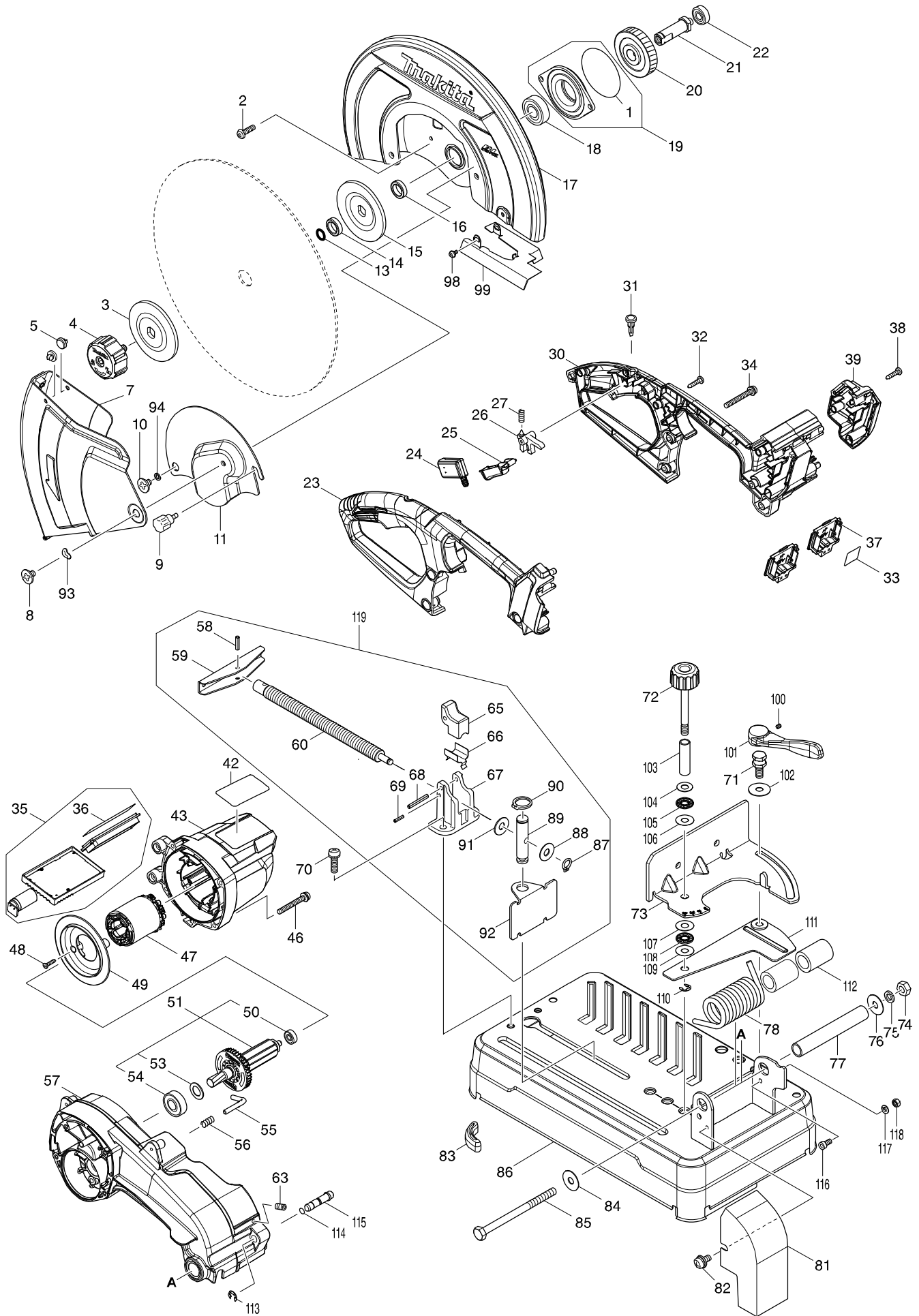


모델번호 DLW140 355MM DC PORTABLE CUT-OFF



모델명 : DLW140

도번	부품코드	품명	단위	소요량
001	213858-0	O-RING 65	EA	1
002	265122-5	PAN HEAD SCREW M5X20	PC	4
003	224299-5	INNER FLANGE 90	EA	1
004	123478-1	TOOLLESSBOLT ASSEMBLY	EA	1
005	418142-0	PLUG	EA	2
007	162490-6	SAFETY GUIDE	EA	1
008	265121-7	+ FLAT HEAD SCREW M6	PC	1
009	251488-9	THUMB SCREW M6*12	EA	1
010	265121-7	+ FLAT HEAD SCREW M6	PC	1
011	347095-5	CENTER COVER	EA	1
013	213180-5	O RING 14	EA	1
014	257255-0	RING 17	EA	1
015	224299-5	INNER FLANGE 90	EA	1
016	257255-0	RING 17	EA	1
017	162513-0	SAFETY COVER COMPLETE	EA	1
018	211282-1	BALL BEARING 6203ZZ	EA	1
019	136029-1	BEARING BOX ASSY	EA	1
020	227811-0	HELICAL GEAR 50	EA	1
021	324321-9	SPINDLE	EA	1
022	210067-2	BALL BEARING 6000ZZ	EA	1
023	183K57-3	HANDLE SET	EA	1
024	651083-9	SWITCH C3XA-1PSPM	EA	1
025	458737-7	SWITCH LEVER	EA	1
026	418139-9	SWITCH LOCK	PC	1
027	231397-8	COMPRESSION SPRING 4	EA	1
030	183K57-3	HANDLE SET	EA	1
031	417113-4	SWITCH BUTTON	PC	1
032	266326-2	TAPPING SCREW 4X18	PC	5
033	854Y37-7	DLW140 SERIAL NO. LABEL	EA	1
034	265104-7	PAN HEAD SCREW M5X40	PC	4
035	620982-6	CONTROLLER COMPLETE	EA	1
036	818B34-9	INDICATION LABEL	EA	1
037	644809-6	TERMINAL	EA	2
038	266326-2	TAPPING SCREW 4X18	PC	3
039	140D72-8	BATTERY COVER COMPLETE	EA	1
042	854Y30-1	DLW140 NAME PLATE	EA	1
043	458733-5	MOTOR HOUSING	EA	1
046	265104-7	PAN HEAD SCREW M5X40	PC	4
047	629377-0	STATOR	EA	1
048	266326-2	TAPPING SCREW 4X18	PC	2
049	458736-9	BAFFLE PLATE	EA	1
050	210062-2	BALL BEARING 607ZZ	PC	1
051	519537-1	ROTOR ASSY	EA	1
053	267274-8	FLAT WASHER 15	EA	1
054	211240-7	BALL BEARING 6200ZZ	PC	1
055	324322-7	STOPPER	EA	1
056	233372-0	COMPRESSION SPRING 7	EA	1
057	140D69-7	GEAR HOUSING COMPLETE	EA	1
058	951163-4	SPRING PIN 5-20	PC	1

059	272027-2	HANDLE 120	EA	1
060	324323-5	WISE SCREW	EA	1
063	266321-2	H.S.HEAD SET SCREW M6X16	EA	1
065	313114-9	WISE NUT	EA	1
066	345311-9	PLATE	EA	1
067	317662-0	SCREW GUIDE	EA	1
068	951175-7	SPRING PIN 5-36	EA	1
069	951110-5	SPRING PIN 4-16	EA	1
070	265125-9	PAN HEAD SCREW M8X30	PC	2
071	266996-7	COLLAR BOLT M10*20	EA	1
072	271331-6	KNOB 40	EA	1
073	346970-2	GUIDE PLATE	EA	1
074	252183-4	HEX.NUT M10-17	EA	1
075	942251-8	SPRING WASHER 10	EA	1
076	253197-6	FLAT WASHER 10	PC	1
077	331648-0	PIPE 20-128	EA	1
078	232478-1	TORSION SPRING 33	EA	1
081	161399-9	SPARK GUARD	EA	1
082	265144-5	PAN HEAD SCREW M6X12	PC	1
083	421834-2	CUSHION	PC	3
084	253197-6	FLAT WASHER 10	PC	1
085	265509-1	HEX.BOLT M10X140	PC	1
086	161397-3	BASE	EA	1
087	961004-6	RETAINING RING S-8	EA	1
088	267257-8	FLAT WASHER 8	EA	1
089	256545-8	PIN 16	EA	1
090	961056-7	RETAINING RING S-16	EA	1
091	267257-8	FLAT WASHER 8	EA	1
092	346636-4	WISE PLATE	EA	1
093	253903-9	WAVE WASHER 6	EA	1
094	941152-7	FLAT WASHER 6	EA	1
098	911103-4	PAN HEAD SCREW M4X6	EA	2
099	346971-0	SPARK COVER	EA	1
100	266264-8	HEX. SOCKET HEAD SCREW M5X6	EA	1
101	272286-8	LEVER 125	EA	1
102	253197-6	FLAT WASHER 10	PC	1
103	257389-9	SLEEVE 11	EA	1
104	253180-3	FLAT WASHER 10	EA	1
105	216413-7	THRUST NEEDLE CAGE 1024	PC	1
106	253353-8	THIN WASHER 10	PC.	1
107	253353-8	THIN WASHER 10	PC.	1
108	216413-7	THRUST NEEDLE CAGE 1024	PC	1
109	253353-8	THIN WASHER 10	PC.	1
110	961014-3	STOP RING E-8	PC	1
111	161402-6	GUIDE BASE	EA	1
112	257413-8	SLEEVE 20	EA	2
113	961014-3	STOP RING E-8	PC	1
114	213011-8	O RING 7	EA	1
115	326624-7	STOPPER PIN	EA	1
116	922312-0	HEX. SOCKET HEAD BOLT M6X12	PC	1
117	253428-3	SPRING WASHER 6	EA	1
118	931302-2	HEX.NUT M6 FOR HR4000C	EA	1

119	135708-8	WISE ASS'Y	EA	1
-----	----------	------------	----	---