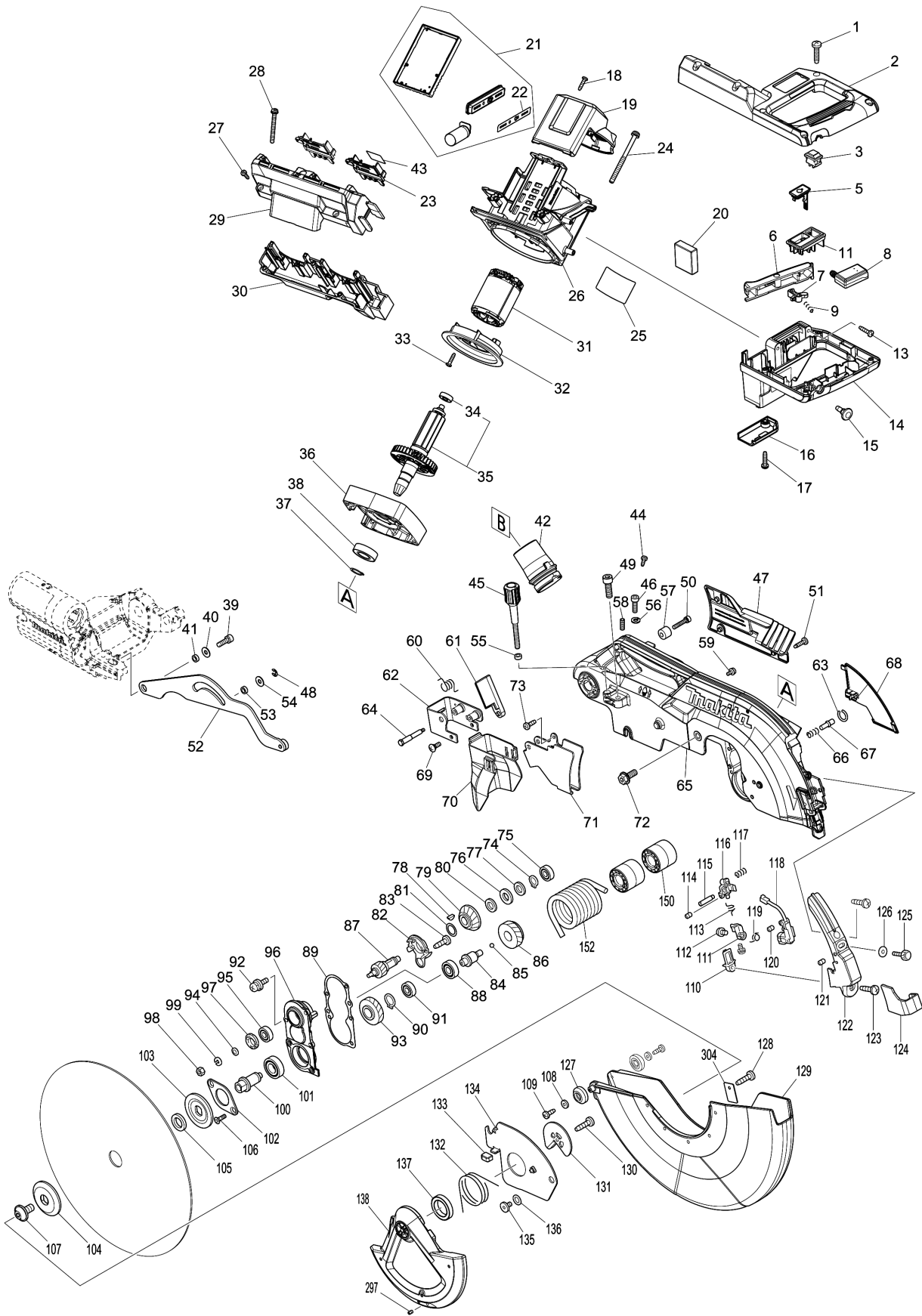
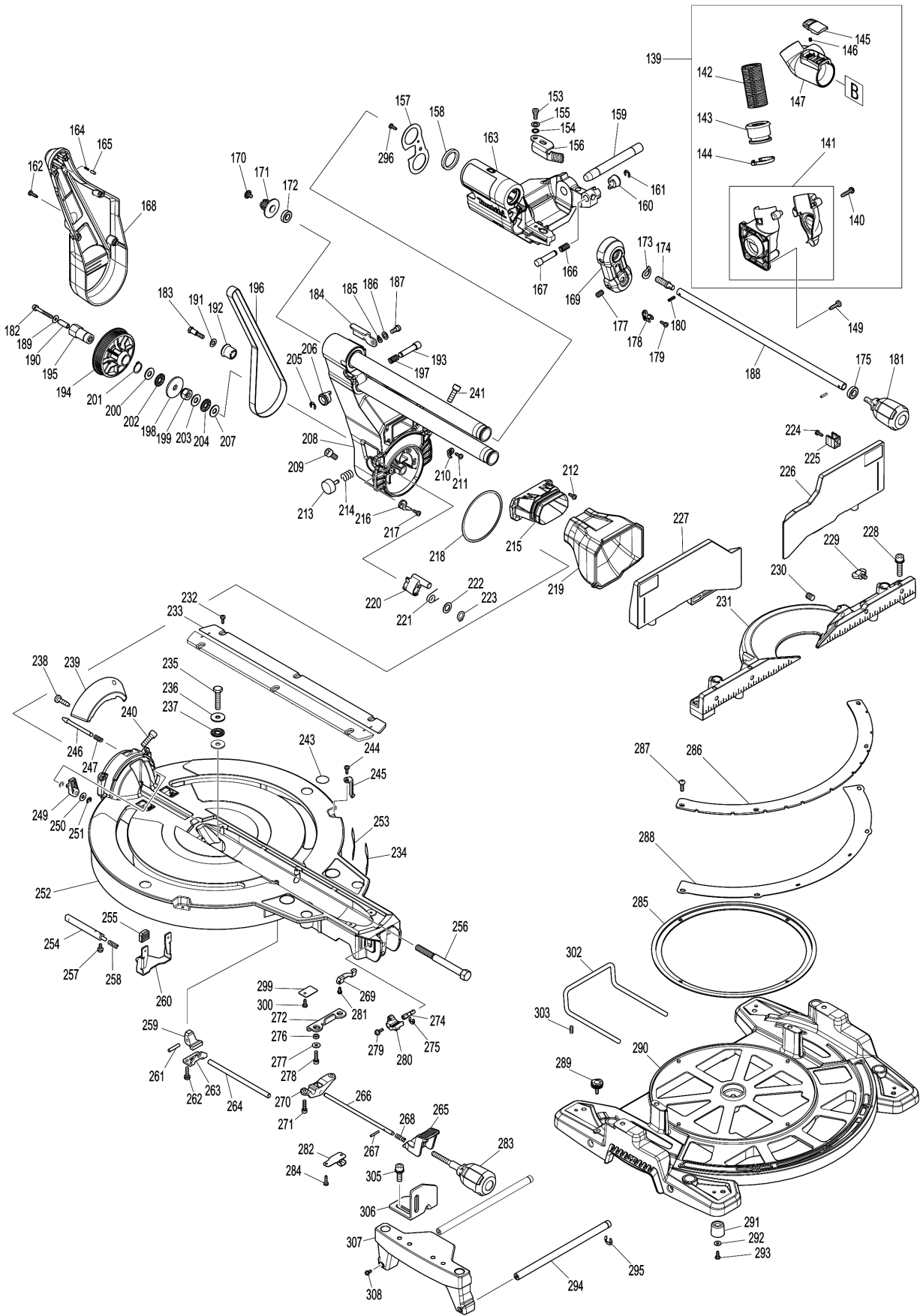


제품 : DLS211 무선 탁상 슬라이드 원형톱



Model No.DLS211 305MM DC SLIDE CPD. MITER SAW



제품 : DLS211 무선 탁상 슬라이드 원형톱

도번	부품코드	품명	단위	소요량
001	265995-6	TAPPING SCREW 4X18	EA	6
002	183H70-3	HANDLE SET	EA	1
002-1	810486-8	CAUTION LABEL	PC.	1
003	632L09-2	SWITCH UNIT	EA	1
005	140G30-2	CAP COMPLETE	EA	1
005-1	213218-6	O RING 16	EA	1
005-2	818H48-4	CAP LABEL	EA	1
006	457935-0	SWITCH LEVER	EA	1
007	416356-5	LOCK-OFF LEVER	EA	1
008	651083-9	SWITCH C3XA-1PSPM	EA	1
009	231026-3	COMPRESSION SPRING 4	PC	1
011	458079-9	SWITCH COVER	EA	1
013	265995-6	TAPPING SCREW 4X18	EA	3
014	183H70-3	HANDLE SET	EA	1
015	451037-4	SWITCH BUTTON	PC.	1
016	451000-7	LEAD COVER HOLDER	PC.	1
017	265995-6	TAPPING SCREW 4X18	EA	1
018	265995-6	TAPPING SCREW 4X18	EA	2
019	457933-4	REAR COVER	EA	1
020	620742-6	POWER SUPPLY CIRCUIT	EA	1
021	620B81-6	CONTROLLER COMPLETE	EA	1
022	813T74-0	INDICATION LABEL	EA	1
023	643874-2	TERMINAL	EA	2
024	911948-0	PAN HEAD SCREW M6X80 WITH WR	PC.	4
025	855P61-9	DLS211 NAME PLATE	EA	1
026	457906-7	MOTOR HOUSING	EA	1
027	265995-6	TAPPING SCREW 4X18	EA	3
028	911273-9	PAN HEAD SCREW M5X50	PC	2
29	183L40-6	BATTERY HOUSING SET	EA	1
029-1	263005-3	RUBBER PIN 6	EA	4
30	183L40-6	BATTERY HOUSING SET	EA	1
31	629282-1	STATOR DC36V	EA	1
32	457934-2	BAFFLE PLATE	EA	1
33	265995-6	TAPPING SCREW 4X18	EA	2
34	211021-9	BALL BEARING 607LLB	EA	1
35	519554-1	ROTOR ASSY	EA	1
36	318471-0	MOTOR BRACKET	PC.	1
37	961057-5	RETAINING RING S-17	EA	1
38	210301-0	BALL BEARING 6003DDW	EA	1
39	922331-6	HEX.SOCKET HEAD BOLT M6X20	EA	1
40	253804-1	FLAT WASHER 6 FOR HR4000C	EA	1
41	257461-7	RING 6	EA	1
42	459250-8	DUST NOZZLE	EA	1
43	855P68-5	DLS211 SERIAL NO. LABEL	EA	1
44	266034-5	TAPPING SCREW CT 4X16	EA	1
45	251554-2	THUMB SCREW M6X40	EA	1
46	265A36-4	H.S.H.BOLT M6X16	EA	1
47	458146-0	LOGO PLATE	EA	1
48	961018-5	STOP RING E-5	EA	1

제품 : DLS211 무선 탁상 슬라이드 원형톱

도번	부품코드	품명	단위	소요량
49	251547-9	HEX.SOCKET HEAD BOLT M8X25	EA	1
50	922251-4	HEX. SOCKET HEAD BOLT M5X30	EA	1
51	266034-5	TAPPING SCREW CT 4X16	EA	3
52	140J53-8	LINK PLATE COMPLETE	EA	1
53	257461-7	RING 6	EA	1
54	253804-1	FLAT WASHER 6 FOR HR4000C	EA	1
55	262190-9	URETHANE RING 5	EA	1
56	253428-3	SPRING WASHER 6	EA	1
57	257449-7	SLEEVE 6	EA	1
58	266321-2	H.S.HEAD SET SCREW M6X16	EA	1
59	911114-9	PAN HEAD SCREW	EA	2
60	232412-1	TORSION SPRING 11	EA	1
61	457764-1	DUST GUIDE PLATE	EA	1
62	161647-6	GUARD HOLDER	EA	1
63	231928-3	RING SPRING 8	EA	1
64	251544-5	SHOULDER HEX. BOLT M4	EA	1
65	140K54-2	BLADE CASE COMPLETE	EA	1
065-1	263005-3	RUBBER PIN 6	EA	3
065-2	810064-4	LASER BEAM CAUTION LABEL	PC.	1
065-3	810354-5	LASER BEAM LABEL	PC.	1
66	231240-1	COMPRESSION SPRING 7	PC	1
67	256633-1	PIN 6	EA	1
68	458148-6	LEAD COVER	EA	1
69	265028-7	+ PAN HEAD SCREW M4X11	EA	1
70	422235-7	GUARD	EA	1
71	347308-4	GUARD PLATE	EA	1
72	266283-4	HEX.SOCKET SET SCREW M8X20	EA	1
73	266020-6	TAPPING SCREW.FLANGE.PT4X12	PC	1
74	961052-5	RETAINING RING S-12	EA	1
75	210005-4	BALL BEARING 608LLU(DDW)	EA	1
76	261104-5	RUBBER WASHER 12	PC	1
77	253744-3	FLAT WASHER 12	PC	1
78	254001-2	WOODRUFF KEY 4	EA	1
79	227550-2	SPIRAL BEVEL GEAR 32	PC.	1
80	253744-3	FLAT WASHER 12	PC	1
81	253313-0	THIN WASHER 14	EA	1
82	451002-3	GREASE HOLDER	PC.	1
83	266026-4	TAPPING SCREW BIND CT 4X12	EA	2
84	325643-0	GEAR SHAFT	PC.	1
85	216049-2	STEEL BALL 4	EA	1
86	227702-5	HERICAL GEAR 27	PC.	1
87	227701-7	HELICAL GEAR 14	PC.	1
88	210067-2	BALL BEARING 6000ZZ	EA	1
89	442147-8	GASKET	PC.	1
90	961055-9	RETAINING RING S-15	PC	1
91	210005-4	BALL BEARING 608LLU(DDW)	EA	1
92	911223-4	PAN HEAD SCREW M5X12	EA	3
93	227703-3	HERICAL GEAR 28	PC.	1
94	267010-2	FLAT WASHER 5	PC	1
95	210005-4	BALL BEARING 608LLU(DDW)	EA	1
96	158957-0	BEARING BOX COMPLETE	PC.	1
096-1	263002-9	RUBBER PIN 4	EA	1
97	285847-5	BEARING RETAINER 14-23	EA	1
98	931202-6	HEX. NUT M5	EA	1
99	253427-5	SPRING WASHER 5	EA	1
100	325644-8	SPINDLE	PC.	1

제품 : DLS211 무선 탁상 슬라이드 원형톱

도번	부품코드	품명	단위	소요량
101	211236-8	BALL BEARING 6002DDW	PC	1
102	285732-2	BEARING RETAINER 51	PC.	1
103	224431-1	INNER FLANGE 53	PC.	1
104	224432-9	OUTER FLANGE 53	PC.	1
105	257060-5	RING 15.8	EA	1
106	265034-2	+ COUNTERSUNK HEAD SCREW M5X16	PC	2
107	266755-9	H.S.H BOLT M6*16	EA	1
108	941051-3	FLAT WASHER 4	PC	2
109	266020-6	TAPPING SCREW.FLANGE.PT4X12	PC	2
110	418104-8	LENS	EA	1
111	419378-4	BLOCK B	EA	1
112	911003-8	PAN HEAD SCREW M3X6	PC	2
113	231664-1	TORSION SPRING 9	EA	1
114	266318-1	HEX. SOCKET SET SCREW M4X6	EA	1
115	266306-8	SHOULDER SCREW M5	EA	1
116	419379-2	BLOCK C	EA	1
117	233471-8	COMPRESSION SPRING 6	EA	1
118	638651-5	LASER CIRCUIT COMPLETE	PC.	1
119	231664-1	TORSION SPRING 9	EA	1
120	266318-1	HEX. SOCKET SET SCREW M4X6	EA	1
121	266229-0	HEX. SOCKET SET SCREW M5X8	PC	2
122	458903-6	LASER COVER	EA	1
123	266034-5	TAPPING SCREW CT 4X16	EA	2
124	457664-5	PROTECTOR	EA	1
125	265753-0	THUMB SCREW M5X24	EA	1
126	267066-5	FLAT WASHER 5	PC	1
127	424193-3	ROLLER	PC.	2
128	266385-6	TAPPING SCREW 4X14	EA	3
129	458144-4	SAFETY COVER B	EA	1
130	266385-6	TAPPING SCREW 4X14	EA	1
131	347213-5	CENTER PLATE	EA	1
132	231634-0	TORSION SPRING 45	EA	1
133	424190-9	CUSHION	PC.	1
134	347214-3	CENTER COVER	EA	1
135	265985-9	HEX.SOCKET HEAD BOLT M6	EA	1
136	253932-2	WAVE WASHER 10	PC	1
137	210168-6	BALL BEARING 6805DDW	EA	1
138	458437-9	SAFETY COVER A	EA	1
139	127274-9	DUST NOZZLE ASSEMBLY	EA	1
140	265995-6	TAPPING SCREW 4X18	EA	3
141	183H71-1	HOSE CONNECTOR SET	EA	1
142	245048-7	HOSE 28-0.5	EA	1
143	457672-6	SLEEVE	EA	1
144	457673-4	STOPPER	EA	1
145	458939-5	BUTTON A	EA	1
146	232485-4	COMPRESSION SPRING 5	EA	1
147	459249-3	HOSE JOINT	EA	1
149	266034-5	TAPPING SCREW CT 4X16	EA	3
150	458149-4	SLEEVE17	EA	2
152	233542-1	TORSION SPRING 40	PC.	1
153	251267-5	+ PAN HEAD SCREW M6	EA	1
154	253948-7	WAVE WASHER 8	PC	1
155	253835-0	FLAT WASHER 8	PC	1
156	347221-6	STOPPER ARM	EA	1
157	347222-4	FRONT ARM PLATE	EA	1
158	262076-7	FELT RING 30	PC.	2

제품 : DLS211 무선 탁상 슬라이드 원형톱

도번	부품코드	품명	단위	소요량
159	326994-4	ROD 16	EA	1
160	271437-0	KNOB 22	EA	1
161	961013-5	STOP RING E-7	PC	1
162	266034-5	TAPPING SCREW CT 4X16	EA	4
163	144912-8	FRONT ARM COMPLETE	EA	1
163-1	263005-3	RUBBER PIN 6	EA	2
164	233151-6	COMPRESSION SPRING 4	PC	1
165	256364-2	PIN 4	EA	1
166	232384-0	COMPRESSION SPRING 10	EA	1
167	326977-4	STOPPER PIN	EA	1
168	458145-2	ARM COVER	EA	1
169	144658-6	HOLDER COMPLETE	EA	1
169-1	812X89-8	INDICATION LABEL	EA	1
170	265008-3	+ FLAT HEAD SCREW M5	EA	1
171	222191-9	PULLEY 17-19.3	EA	1
172	210167-8	BALL BEARING 6900LLB	EA	1
173	267804-5	WAVE WASHER 15	PC	1
174	326975-8	SHAFT	EA	1
175	210167-8	BALL BEARING 6900LLB	EA	1
177	913416-9	SET SCREW M8X12	EA	2
178	416536-3	WRENCH HOLDER	PC	1
179	266026-4	TAPPING SCREW BIND CT 4X12	EA	1
180	951107-4	SPRING PIN 4-14	EA	2
181	273016-0	GRIP 50 B	EA	1
182	266440-4	HEX SOCKET HEAD BOLT M5X40	EA	1
183	251545-3	SHOULDER HEX. BOLT M6	EA	1
184	144930-6	STOPPER LEVER COMPLETE	EA	1
184-1	812X87-2	INDICATION LABEL	EA	1
185	253948-7	WAVE WASHER 8	PC	1
186	253835-0	FLAT WASHER 8	PC	1
187	251267-5	+ PAN HEAD SCREW M6	EA	1
188	327054-5	PIN 9-418	EA	1
189	253194-2	FLAT WASHER 5	PC	1
190	257436-6	SLEEVE 5	EA	1
191	253165-9	FLAT WASHER 8	EA	1
192	457666-1	SLEEVE 20	EA	1
193	326977-4	STOPPER PIN	EA	1
194	222192-7	PULLEY 17-87.8	EA	1
195	327053-7	HEX.NUT M10-19	EA	1
196	225102-3	SYNCHRO BELT 15-810	EA	1
197	232384-0	COMPRESSION SPRING 10	EA	1
198	253388-9	FLAT WASHER 10	EA	1
199	252244-0	HEX.LOCK NUT M10-17	EA	1
200	253024-7	FLAT WASHER 10	EA	1
201	961057-5	RETAINING RING S-17	EA	1
202	216413-7	THRUST NEEDLE CAGE 1024	PC	1
203	253024-7	FLAT WASHER 10	EA	1
204	216413-7	THRUST NEEDLE CAGE 1024	PC	1
205	961013-5	STOP RING E-7	PC	1
206	271437-0	KNOB 22	EA	1
207	253024-7	FLAT WASHER 10	EA	1
208	144911-0	ARM COMPLETE	EA	1
208-1	812X88-0	INDICATION LABEL	EA	1
209	251547-9	HEX.SOCKET HEAD BOLT M8X25	EA	1
210	458151-7	INDICATION PLATE R	EA	1
211	266026-4	TAPPING SCREW BIND CT 4X12	EA	1

제품 : DLS211 무선 탁상 슬라이드 원형톱

도번	부품코드	품명	단위	소요량
212	266034-5	TAPPING SCREW CT 4X16	EA	4
213	415208-7	RELEASE BUTTON	PC	1
214	233031-6	COMPRESSION SPRING 12	EA	1
215	457654-8	DUST GUIDE HOLDER	EA	1
216	458150-9	INDICATION PLATE L	EA	1
217	266026-4	TAPPING SCREW BIND CT 4X12	EA	1
218	253389-7	WASHER 94	EA	1
219	422229-2	DUST GUIDE	EA	1
220	319593-9	STOPPER	EA	1
221	231646-3	TORSION SPRING 14	EA	1
222	253744-3	FLAT WASHER 12	PC	1
223	961052-5	RETAINING RING S-12	EA	1
224	266026-4	TAPPING SCREW BIND CT 4X12	EA	2
225	457668-7	HOLDER	EA	2
226	144925-9	UPPER FENCE R COMPLETE	EA	1
226-1	810503-4	CAUTION LABEL	PC.	1
227	144922-5	UPPER FENCE L COMPLETE	EA	1
227-1	810503-4	CAUTION LABEL	PC.	1
228	922458-2	H.S.H.BOLT M8X35 WITH WR	EA	4
229	251887-5	SCREW M6X10	EA	2
230	251561-5	H.SOCKET HEAD SET SCREW M10X12	EA	2
231	319565-4	GUIDE FENCE	EA	1
232	266026-4	TAPPING SCREW BIND CT 4X12	EA	6
233	451201-7	KERF BOARD	PC.	2
235	265442-7	HEX.BOLT M8X40	EA	1
236	253852-0	FLAT WASHER 8	EA	2
237	216413-7	THRUST NEEDLE CAGE 1024	PC	1
238	266385-6	TAPPING SCREW 4X14	EA	2
239	458147-8	BEVEL SCALE PLATE	EA	1
240	251547-9	HEX.SOCKET HEAD BOLT M8X25	EA	1
241	251547-9	HEX.SOCKET HEAD BOLT M8X25	EA	1
243	813L22-1	CAUTION LABEL	EA	2
244	266026-4	TAPPING SCREW BIND CT 4X12	EA	2
245	457702-3	INDICATION PLATE	EA	2
246	326970-8	LOCK PIN 8	EA	1
247	234122-6	COMPRESSION SPRING 6	PC.	1
249	457657-2	LEVER 25	EA	1
250	253804-1	FLAT WASHER 6 FOR HR4000C	EA	1
251	961018-5	STOP RING E-5	EA	2
252	144928-3	TURN BASE COMPLETE	EA	1
253	812X85-6	CAUTION LABEL	EA	1
254	326973-2	ROD 12	EA	1
255	286039-9	CAP	EA	2
256	326976-6	CENTER SHAFT	EA	1
257	911113-1	PAN HEAD SCREW	EA	2
258	231325-3	COMPRESSION SPRING 6	PC	1
259	310803-7	TURN STOPPER	EA	1
260	347217-7	LEVER PLATE	EA	1
261	256186-0	PIN 5	PC.	1
262	911231-5	PAN HEAD SCREW M5X20	PC.	2
263	347219-3	STOPPER HOLDER	EA	1
264	327052-9	LOCK ROD	EA	1
265	457656-4	LOCK LEVER	EA	1
266	327051-1	LOCK PIN 6	EA	1
267	256158-5	PIN 3	PC	1
268	231325-3	COMPRESSION SPRING 6	PC	1

제품 : DLS211 무선 탁상 슬라이드 원형톱

도번	부품코드	품명	단위	소요량
269	347237-1	CAM PLATE	EA	1
270	319592-1	PIN HOLDER	EA	1
271	922231-0	HEX.SOCKET HEAD BOLT M5X20	PC	2
272	347216-9	LOCK PLATE	EA	1
274	326972-4	ROD 6	EA	1
275	961011-9	STOP RING E-4	PC	1
276	257425-1	RING 5	EA	2
277	253194-2	FLAT WASHER 5	PC	2
278	922231-0	HEX.SOCKET HEAD BOLT M5X20	PC	2
279	911113-1	PAN HEAD SCREW	EA	1
280	144656-0	LEVER 25 COMPLETE	EA	1
280-1	263005-3	RUBBER PIN 6	EA	1
281	911008-8	PAN HEAD SCREW M3X8	PC.	1
282	345272-3	LOCK LEVER PLATE	PC	1
283	273015-2	GRIP 50A	EA	1
284	266026-4	TAPPING SCREW BIND CT 4X12	EA	2
285	457655-6	SLIDE PLATE	EA	1
286	347412-9	MITER SCALE PLATE	EA	1
287	251546-1	+ PAN HEAD SCREW M5	EA	4
288	347218-5	MITER LOCK PLATE	EA	1
289	265786-5	SCREW M5X16	PC.	2
290	310891-4	BASE	EA	1
291	421845-7	FOOT	PC.	4
292	267195-4	FLAT WASHER 4	EA	4
293	266026-4	TAPPING SCREW BIND CT 4X12	EA	4
294	327315-3	ROD 12	EA	4
295	961015-1	STOP RING E-9	EA	2
296	266026-4	TAPPING SCREW BIND CT 4X12	EA	1
297	266318-1	HEX. SOCKET SET SCREW M4X6	EA	1
299	232249-6	LEAF SPRING	PC.	1
300	266026-4	TAPPING SCREW BIND CT 4X12	EA	1
302	327145-2	HOLDER	EA	1
303	266213-5	HEX.SOCKET HEAD SCREW M5X12	PC	1
304	232249-6	LEAF SPRING	PC.	1
305	922443-5	H.S.H.BOLT M8X25 WITH WR	PC.	4
306	347509-4	SUB FENCE	EA	2
307	319815-7	SUB BASE	EA	2
308	911113-1	PAN HEAD SCREW	EA	4
A01	122852-0	Dust bag assy	EA	1
A01-1	410602-8	FASTENER	PC	1
A02	126617-2	WISE ASSY	EA	1
A03	762001-3	TRIANGULAR RULE	PC	1
A04	783208-8	HEX. WRENCH 2.5	PC	1
A06	B-67452	TCT BLADE305X60T WOOD EFFICUT	EA	1
A07	781044-6	HEX. WRENCH 6	EA	1