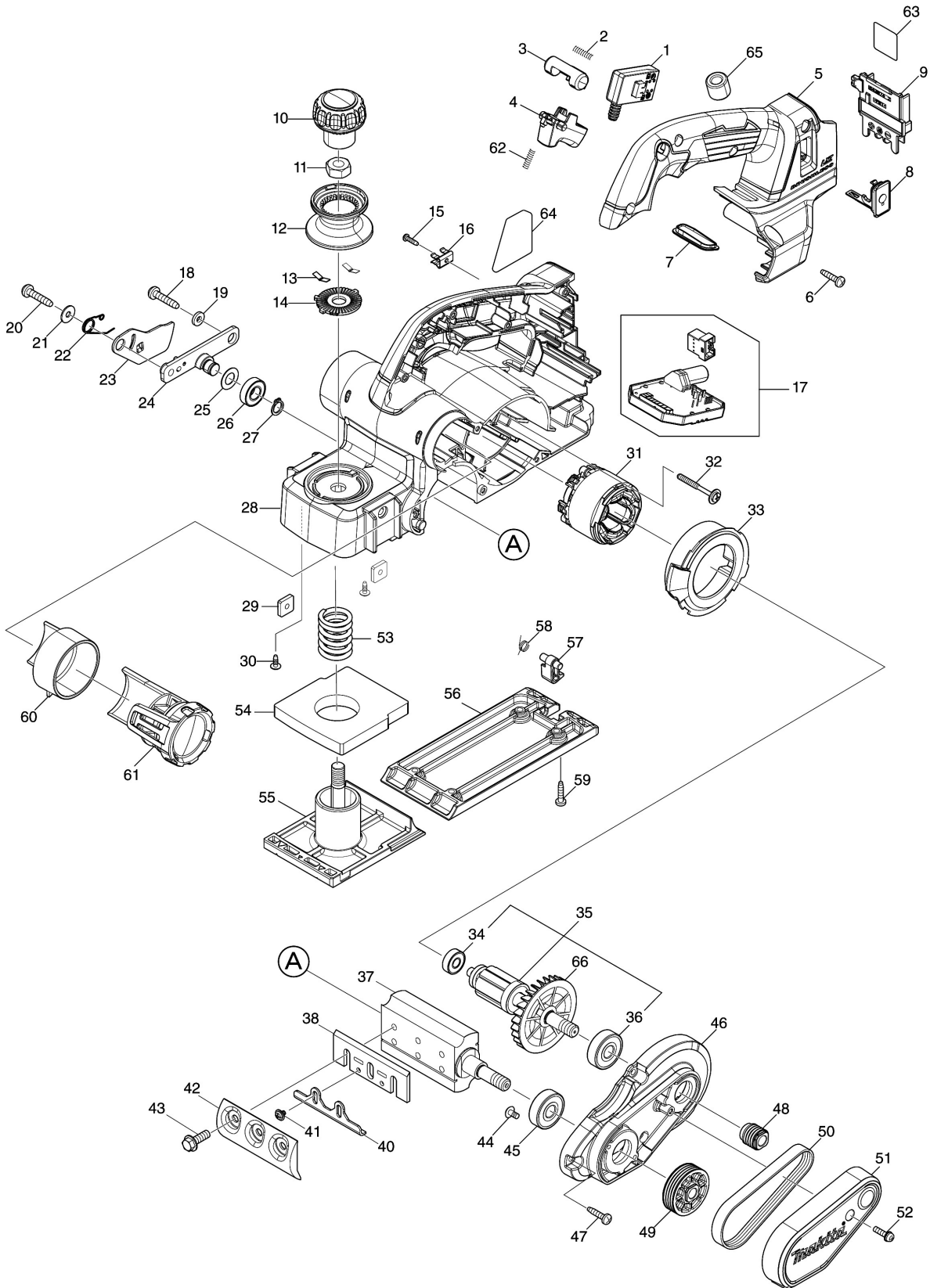


, 6=B#* #



모델명 : DKP181

도번	부품코드	품명	단위	소요량
001	651083-9	SWITCH C3XA-1PSPM	EA	1
002	231433-0	COMPRESSION SPRING 4	EA	1
003	419704-7	LOCK OFF BUTTON	EA	1
004	457432-6	SWITCH LEVER	EA	1
005	140V49-1	HANDLE COVER COMPLETE	EA	1
006	265995-6	TAPPING SCREW 4X18	EA	6
007	142948-1	INDICATION PLATE COMPLETE	EA	1
008	140F99-0	CAP COMPLETE	EA	1
008-1	213218-6	O RING 16	EA	1
008-2	818H07-8	CAP LABEL	EA	1
009	643874-2	TERMINAL	EA	1
010	451328-3	KNOB COVER	PC.	1
011	252276-7	HEX. NUT M10	EA	1
012	459894-4	KNOB	EA	1
013	232185-6	LEAF SPRING	EA	2
014	347588-2	CAM PLATE	EA	1
015	266556-5	TAPPING SCREW 3X12	PC.	1
016	232570-3	LEAF SPRING	EA	1
017	620B79-3	CONTROLLER	EA	1
018	266041-8	TAPPING SCREW FLANGE PT 5X25	EA	1
019	267012-8	FLAT WASHER 5	PC.	1
020	266041-8	TAPPING SCREW FLANGE PT 5X25	EA	1
021	253194-2	FLAT WASHER 5	PC	1
022	233521-9	TORSION SPRING 10	EA	1
023	345765-0	DRUM COVER	EA	1
024	158184-9	DRUM HOLDER COMPLETE	EA	1
025	253758-2	FLAT WASHER 10	PC	1
026	210057-5	BALL BEARING 6900LLB	PC	1
27	961006-2	RETAINING RING S-10	PC	1
28	140N51-6	MAIN FRAME COMPLETE	EA	1
29	264002-2	SQUARE NUT M5	EA	2
30	265A77-0	TAPPING SCREW 3X10	EA	2
31	629453-0	STATOR	EA	1
32	265679-6	TAPPING SCREW 4X40	EA	2
33	459891-0	BAFFLE PLATE	EA	1
34	210034-7	BALL BEARING 607LLB	PC.	1
35	519590-7	ROTOR ASSY	EA	1
36	211087-9	BALL BEARING 6200LLU	EA	1
37	158156-4	DRUM COMPLETE	EA	1
38	D-16346	82MM HSS PLANER BLADE	EA	1
40	345644-2	ADJUST PLATE	EA	2
41	251246-3	+ PAN HEAD SCREW M4X5	EA	4
42	187676-1	DRUM PLATE SET	EA	1
43	251609-3	HEX FLANGE HEAD BOLT M6X18	EA	6
44	251291-8	+ SCREW M4X8	EA	2
45	211087-9	BALL BEARING 6200LLU	EA	1
46	140N50-8	BRACKET COMPLETE	EA	1
47	265995-6	TAPPING SCREW 4X18	EA	4
48	222193-5	V-PULLEY 4-17L	EA	1

모델명 : DKP181

도번	부품코드	품명	단위	소요량
49	222194-3	V-PULLEY 4-39.5	EA	1
50	225071-8	POLY V-BELT 4-241	EA	1
51	459893-6	BELT COVER	EA	1
52	911133-5	PAN HEAD SCREW M4X18	EA	1
53	231004-3	COMPRESSION SPRING 18	EA	1
54	422531-3	RUBBER PACKING	EA	1
55	319872-5	FRONT BASE	EA	1
56	318499-8	BASE	PC.	1
57	451392-4	FOOT	PC.	1
58	231698-4	TORSION SPRING 7	EA	1
59	265995-6	TAPPING SCREW 4X18	EA	4
60	459892-8	NOZZLE	EA	1
61	125353-7	DUCT ASSY	EA	1
62	231433-0	COMPRESSION SPRING 4	EA	1
63	856J96-7	DKP181 SERIAL NO. LABEL	EA	1
64	856J88-6	DKP181 NAME PLATE	EA	1
65	688163-8	LINEFILTER15*8*17	EA	1
66	240079-1	FAN 62	EA	1
A01	122785-9	GUIDE RULE ASSY	EA	1
A02	123062-2	BLADE GUAGE ASSY	EA	1
A03	782209-3	SOCKET WRENCH 9	EA	1
A04	251878-6	SCREW M5X20	EA	1
A05	253807-5	FLAT WASHER 5	PC	1
A06	342390-8	DEPTH GUIDE	EA	1
A07	123004-6	SHARPENING HOLDER ASSY	EA	1