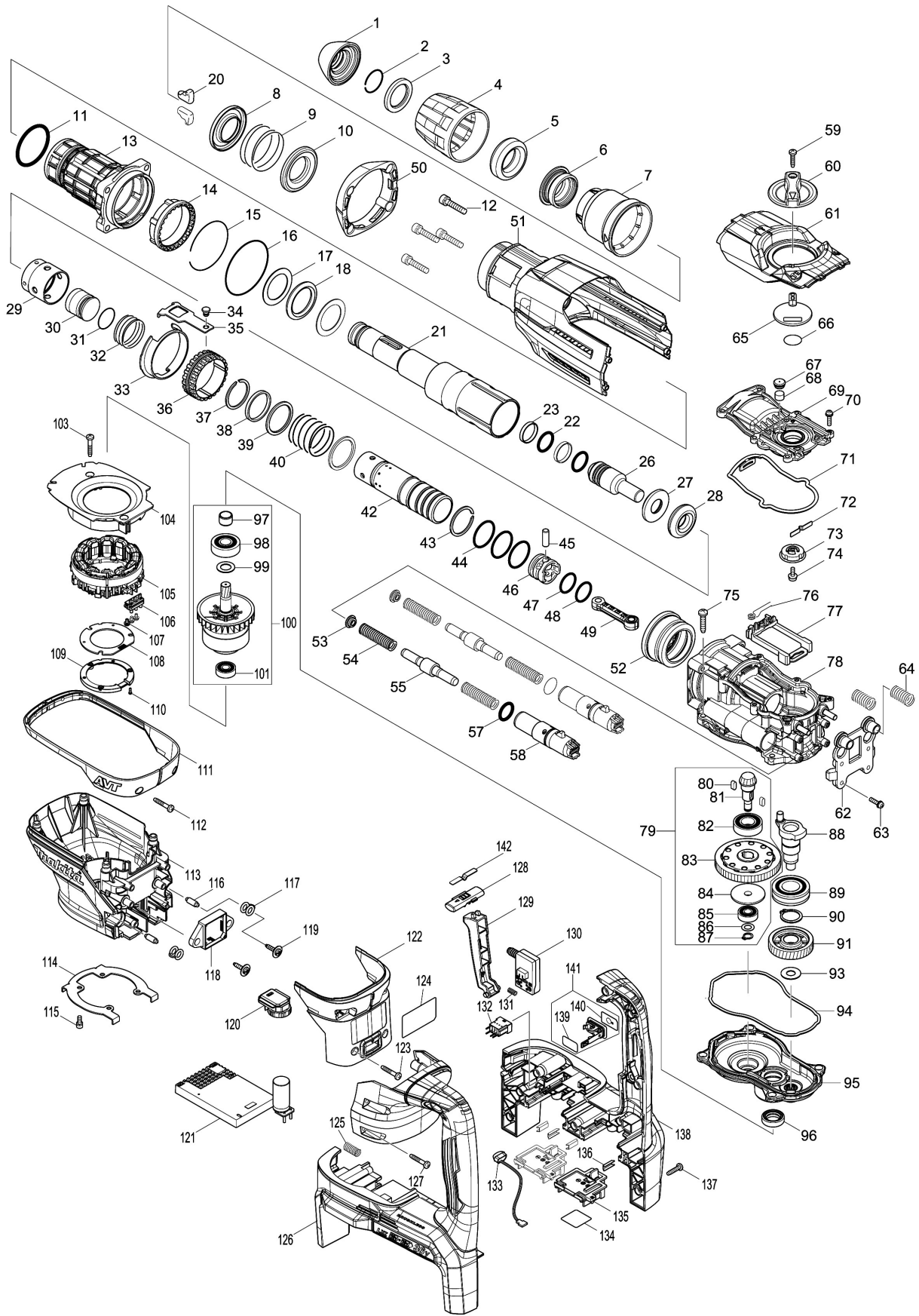


žb: D&" "



모델명 : DHR400

도번	부품코드	품명	단위	소요량
001	286292-7	TOOL HOLDER CAP	EA	1
002	233948-3	RING SPRING 25	PC.	1
003	257308-5	RING 28	PC.	1
004	454330-5	CHUCK COVER	EA	1
005	262167-4	RUBBER RING 30	EA	1
006	326272-2	CHUCK RING	EA	1
007	454331-3	RELEASE COVER	EA	1
008	346670-4	SPRING GUIDE	EA	1
009	234288-2	COMPRESSION SPRING 46	EA	1
010	346670-4	SPRING GUIDE	EA	1
011	213615-6	O RING 46	PC	1
012	922351-0	HEX . SOCKET HEAD BOLT M6X30	EA	4
013	141956-9	BARREL COMPLETE	EA	1
013-1	213246-1	O-RING 38 SA1004	EA	1
013-2	213490-0	OIL SEAL 32	PC.	1
013-3	213492-6	O-RING 32	PC.	1
013-4	214457-1	PLANE BEARING 32	EA	1
013-5	233963-7	RING SPRING 45	EA	1
014	454337-1	LOCK SLEEVE	EA	1
015	234290-5	RING SPRING 59	EA	1
016	213707-1	O RING 65	EA	1
017	267469-3	FLAT WASHER 32	EA	2
018	262168-2	RUBBER RING 32	EA	1
020	310257-8	TOOL RETAINER	PC.	2
021	326268-3	TOOL HOLDER	EA	1
022	213317-4	O RING 20	EA	2
023	213392-0	FLUORIDE RING 25	PC	2
026	326269-1	IMPACT BOLT	EA	1
27	326274-8	RING 17	EA	1
28	262166-6	RUBBER RING 18	EA	1
29	454347-8	SLIDE SLEEVE	EA	1
30	326270-6	STRIKER	EA	1
31	213695-2	O-RING 22	EA	1
32	234289-0	COMPRESSION SPRING 33	EA	1
33	346673-8	GUIDE RING	EA	1
34	256548-2	FLAT FILLISTER HEAD PIN 6	EA	1
35	346671-2	LINK PLATE	EA	1
36	313255-1	DRIVING SLEEVE	EA	1
37	257991-8	RETAINING RING (EXT) WR-32.5	EA	1
38	257340-9	RING33	EA	1
39	267470-8	FLAT WASHER 33	EA	2
40	234287-4	COMPRESSION SPRING 34	EA	1
42	332063-1	CYLINDER 28.5	EA	1
43	257991-8	RETAINING RING (EXT) WR-32.5	EA	1
44	213406-5	O RING 30	PC	3
45	256197-5	PIN 7	PC	1
46	419004-5	PISTON	PC	1
47	213379-2	O RING 21	PC	1
48	213695-2	O-RING 22	EA	1

모델명 : DHR400

도번	부품코드	품명	단위	소요량
49	454317-7	CONNECTING ROD	EA	1
50	424560-2	HOUSING CAP	EA	1
51	141957-7	HOUSING COVER A COMPLETE	EA	1
52	227613-4	SPIRAL BEVEL GEAR 26	EA	1
53	454342-8	SPRING PLATE	EA	2
54	234286-6	COMPRESSION SPRING 11	EA	4
55	326273-0	COUNTER WEIGHT	EA	2
57	213325-5	O RING 19	PC.	2
58	142289-5	HOLDER COMPLETE	EA	2
59	265995-6	TAPPING SCREW 4X18	EA	1
60	454326-6	CHANGE LEVER	EA	1
61	319652-9	CRANK CAP COVER	EA	1
62	458098-5	SPRING HOLDER	EA	1
63	911128-8	PAN HEAD SCREW M4X16	EA	4
64	234282-4	COMPRESSION SPRING 12	EA	2
65	454345-2	CRANK LEVER	EA	1
66	213262-3	O RING 18	PC	1
67	424556-3	FILTER CAP	EA	1
68	443182-9	FILTER	EA	1
69	454319-3	CRANK CAP	EA	1
70	911128-8	PAN HEAD SCREW M4X16	EA	6
71	424559-7	SEAL RING B	EA	1
72	232280-2	LEAF SPRING	EA	1
73	458100-4	LINK LEVER	EA	1
74	911511-9	PAN HEAD SCREW M4X10	PC	1
75	266041-8	TAPPING SCREW FLANGE PT 5X25	EA	4
76	233603-7	TORSION SPRING 7	EA	1
77	454338-9	LINK GUIDE	EA	1
78	141953-5	CRANK HOUSING A COMPLETE	EA	1
79	126290-8	TORQUE LIMITER ASSEMBLY	EA	1
80	254239-9	KEY 4	PC	2
81	227612-6	SPIRAL BEVEL GEAR 7	EA	1
82	211232-6	BALL BEARING 6002LLU	PC	1
83	141959-3	TORQUE LIMITER COMPLETE	EA	1
84	324727-1	SHOULDER WASHER 8	EA	1
85	210005-4	BALL BEARING 608LLU(DDW)	EA	1
86	253215-0	FLAT WASHER 8	PC	1
87	961004-6	RETAINING RING S-8	EA	1
88	326271-4	CRANK SHAFT	EA	1
89	210183-0	BALL BEARING 6004LLU	EA	1
90	961060-6	RETAINING RING S-20	PC	1
91	227772-4	SPUR GEAR 37	EA	1
93	253180-3	FLAT WASHER 10	EA	1
94	424558-9	SEAL RING A	EA	1
95	141955-1	GEAR HOUSING COMPLETE	EA	1
96	213231-4	OIL SEAL 15	EA	1
97	331596-3	SLEEVE 12	EA	1
98	211137-0	BALL BEARING 6201LLU	EA	1
99	253744-3	FLAT WASHER 12	PC	1
100	519492-7	ROTOR ASSY	EA	1
101	210005-4	BALL BEARING 608LLU(DDW)	EA	1
103	265999-8	TAPPING SCREW 4X25	EA	2
104	458099-3	BAFFLE PLATE	EA	1
105	629335-6	STATOR	EA	1
106	632L39-3	LEAD UNIT	EA	1
107	652031-1	PAN HEAD SCREW M3X6	PC.	3

모델명 : DHR400

도번	부품코드	품명	단위	소요량
108	620795-5	CONTROLLER B	EA	1
109	687B69-9	STOPPER	EA	1
110	266490-9	TAPPING SCREW PT 2X6	EA	3
111	454348-6	GUARD 40	EA	1
112	265999-8	TAPPING SCREW 4X25	EA	2
113	458051-1	MOTOR HOUSING	EA	1
114	347299-9	GUIDE PLATE	EA	1
115	922111-0	HEX. SOCKET HEAD BOLT M4X10	PC	4
116	256380-4	SHOULDER PIN	EA	2
117	422462-6	SPONGE WASHER	EA	4
118	620997-3	ACCELEROMETER CIRCUIT	EA	1
119	251599-0	TAPPING SCREW 4X18	EA	2
120	620796-3	DIAL CIRCUIT	EA	1
121	620996-5	CONTROLLER	EA	1
122	458054-5	CONTROLLER COVER	EA	1
123	265999-8	TAPPING SCREW 4X25	EA	2
124	854C13-9	DHR400 NAME PLATE	EA	1
125	232411-3	COMPRESSION SPRING 8	EA	1
126	183L07-4	HOUSING SET	EA	1
127	265999-8	TAPPING SCREW 4X25	EA	4
128	458096-9	TRIGGER LOCK	EA	1
129	458097-7	SWITCH LEVER	EA	1
130	651083-9	SWITCH C3XA-1PSPM	EA	1
131	232418-9	COMPRESSION SPRING 5	EA	1
132	632L47-4	CONNECTOR UNIT	EA	1
133	620549-0	LED CIRCUIT	EA	1
134	854C21-0	DHR400 SERIAL NO. LABEL	EA	1
135	644809-6	TERMINAL	EA	2
136	346783-1	PLATE	EA	4
137	265995-6	TAPPING SCREW 4X18	EA	9
138	183L07-4	HOUSING SET	EA	1
139	213218-6	O RING 16	EA	1
140	818H07-8	CAP LABEL	EA	1
141	140F99-0	CAP COMPLETE	EA	1
142	232280-2	LEAF SPRING	EA	1
A01	123138-5	SIDE GRIP ASSEMBLY	EA	1
A02	196792-8	SIDE HANDLE 73 SET	EA	1
A03	194683-7	GREASE VESSEL SET	PC.	1
A05	331955-1	DEPTH GAUGE	EA	1
A07	443122-7	CLOTH	PC	1
B01	199393-1.	WIRELESS UNIT SET	EA	1
B01A	199393-1	WIRELESS UNIT SET (WUT01)	EA	1
V01	199142-6	VACUUM ATTACHMENT	EA	0