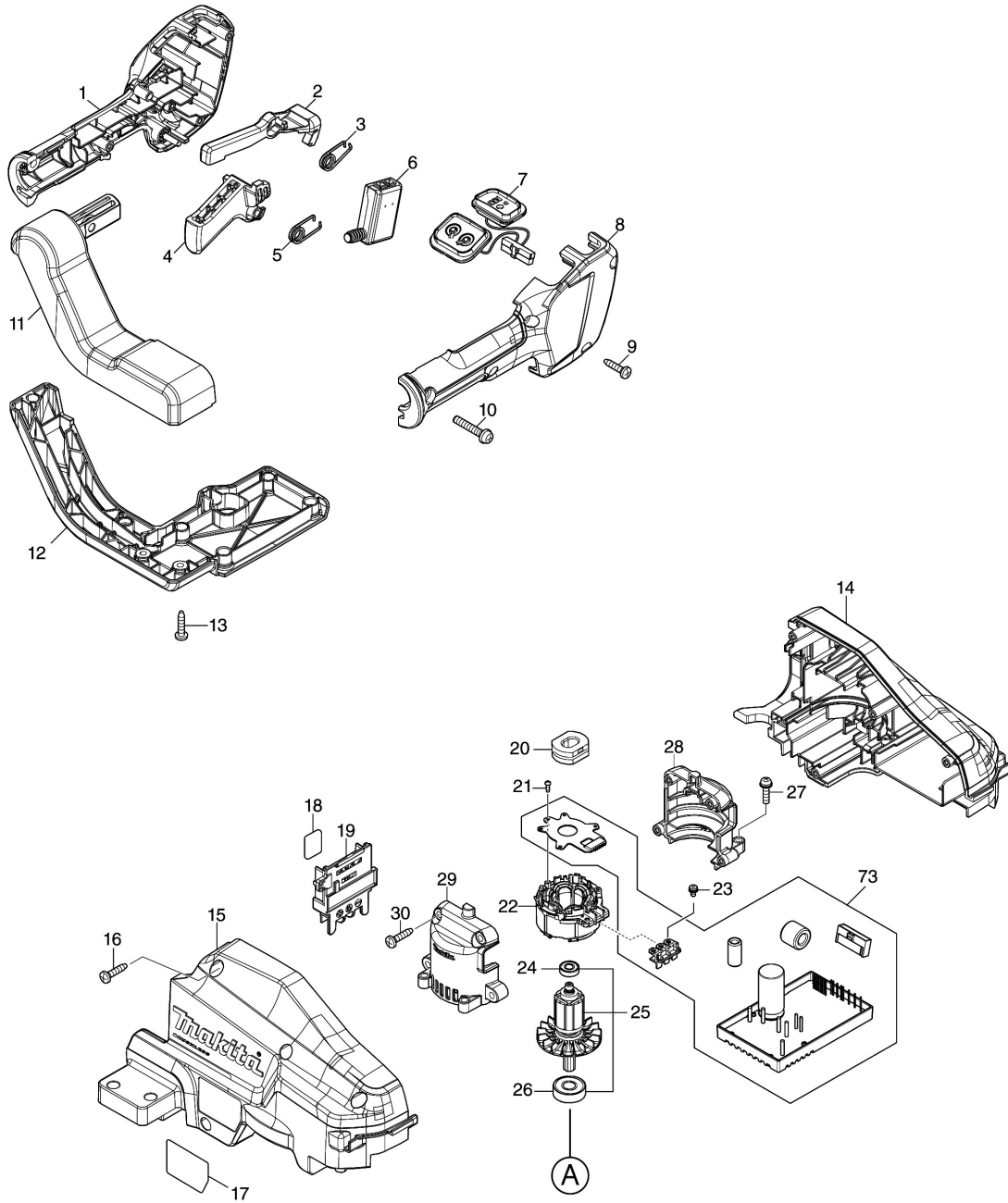
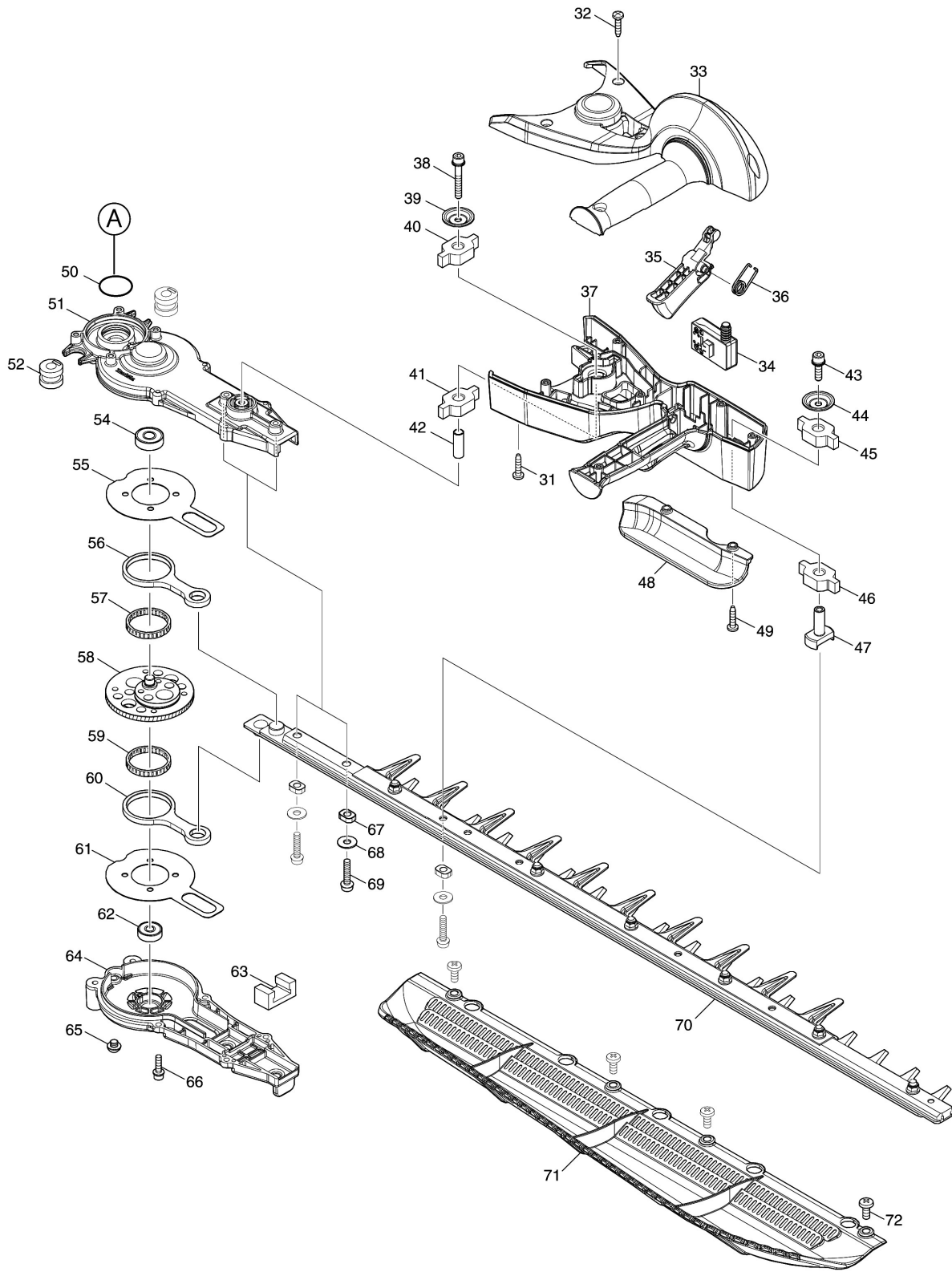


모델명.DUH604



모델명.DUH604



모델명 : DUH604

도번	부품코드	품명	단위	소요량
001	183N66-0	GRIP SET	EA	1
002	455629-1	LOCK OFF LEVER	EA	1
003	233621-5	TORSION SPRING 9	EA	1
004	412315-7	SWITCH LEVER R	EA	1
005	233621-5	TORSION SPRING 9	EA	1
006	651083-9	SWITCH C3XA-1PSPM	EA	1
007	140S92-2	SUB CONTROLLER COMPLETE	EA	1
008	183N66-0	GRIP SET	EA	1
009	266326-2	TAPPING SCREW 4X18	PC	4
010	911253-5	PAN HEAD SCREW M5X30	PC	1
011	412311-5	GRIP JOINT COVER	EA	1
012	412310-7	GRIP JOINT	EA	1
013	266326-2	TAPPING SCREW 4X18	PC	8
014	183N69-4	HOUSING SET	EA	1
015	183N69-4	HOUSING SET	EA	1
016	266326-2	TAPPING SCREW 4X18	PC	4
017	856R28-2	DUH604S NAME PLATE	EA	1
018	856R31-3	DUH604S SERIAL NO. LABEL	EA	1
019	643874-2	TERMINAL	EA	1
020	422261-6	RUBBER SLEEVE	EA	1
021	266490-9	TAPPING SCREW PT 2X6	EA	3
022	629352-6	STATOR	EA	1
023	652069-6	FLAT HEAD SCREW M3X6	EA	3
024	211157-4	BALL BEARING 695ZZ	EA	1
025	510448-3	ROTOR ASSY	EA	1
026	210005-4	BALL BEARING 608LLU(DDW)	EA	1
027	911128-8	PAN HEAD SCREW M4X16	EA	4
028	183L66-8	MOTOR HOUSING SET	EA	1
29	183L66-8	MOTOR HOUSING SET	EA	1
30	266326-2	TAPPING SCREW 4X18	PC	4
31	266326-2	TAPPING SCREW 4X18	PC	4
32	266326-2	TAPPING SCREW 4X18	PC	6
33	183P30-3	FRONT GRIP SET	EA	1
34	651083-9	SWITCH C3XA-1PSPM	EA	1
35	412316-5	SWITCH LEVER F	EA	1
36	233621-5	TORSION SPRING 9	EA	1
37	183P30-3	FRONT GRIP SET	EA	1
38	251476-6	H.S.H.BOLT M5X35 WITH WR	EA	1
39	253416-0	DISH WASHER 5	EA	1
40	422260-8	RUBBER SLEEVE 8	EA	1
41	422260-8	RUBBER SLEEVE 8	EA	1
42	257678-2	SLEEVE 6	EA	1
43	922228-9	H.S.H.BOLT M5X18 WITH WR	EA	1
44	253416-0	DISH WASHER 5	EA	1
45	422260-8	RUBBER SLEEVE 8	EA	1
46	422260-8	RUBBER SLEEVE 8	EA	1
47	327535-9	CONNECTER	EA	1
48	412317-3	LOWER GUARD	EA	1
49	266326-2	TAPPING SCREW 4X18	PC	2
50	213961-7	O RING 22	PC.	1

모델명 : DUH604

도번	부품코드	품명	단위	소요량
51	140S12-6	GEAR HOUSING COMPLETE	EA	1
52	422259-3	RUBBER SLEEVE 8	EA	2
54	210223-4	BALL BEARING 608ZZ	EA	1
55	347361-0	FRICITION PLATE	EA	1
56	347662-6	CONNECTING ROD	EA	1
57	212229-8	NEEDLE CAGE 315	EA	1
58	140R63-3	GEAR COMPLETE	EA	1
59	212229-8	NEEDLE CAGE 315	EA	1
60	347662-6	CONNECTING ROD	EA	1
61	347361-0	FRICITION PLATE	EA	1
62	211499-6	BALL BEARING 626ZZ	EA	1
63	443159-4	SEAL	PC.	1
64	140B62-9	GEAR HOUSING COVER COMPLETE	EA	1
65	266559-9	H.S.BUTTON HEAD BOLT M6X4	EA	1
66	922128-3	HEX. SOCKET HEAD BOLT M4X16	EA	6
67	310983-9	SLEEVE 5	EA	3
68	253804-1	FLAT WASHER 6 FOR HR4000C	EA	3
69	265182-7	+ PAN HEAD SCREW M5X25	PC.	3
70	191D38-1	SHEAR BLADE ASSEMBLY 600 E SET	EA	1
71	191D33-1	CHIP RECEIVER 600 E SET	EA	1
72	915211-3	BINDING HEAD SCREW M5X12	PC.	4
73	620B95-5	CONTROLLER	EA	1
A01	412769-8	BLADE COVER 600	EA	1
A02	195246-2	SAFETY GOGGLE	EA	1
75	856T79-7	DUN500W NAME PLATE	EA	1
A01	125516-5	BAND ASSEMBLY	PC.	1
A02	458413-3	BLADE COVER 500	EA	1