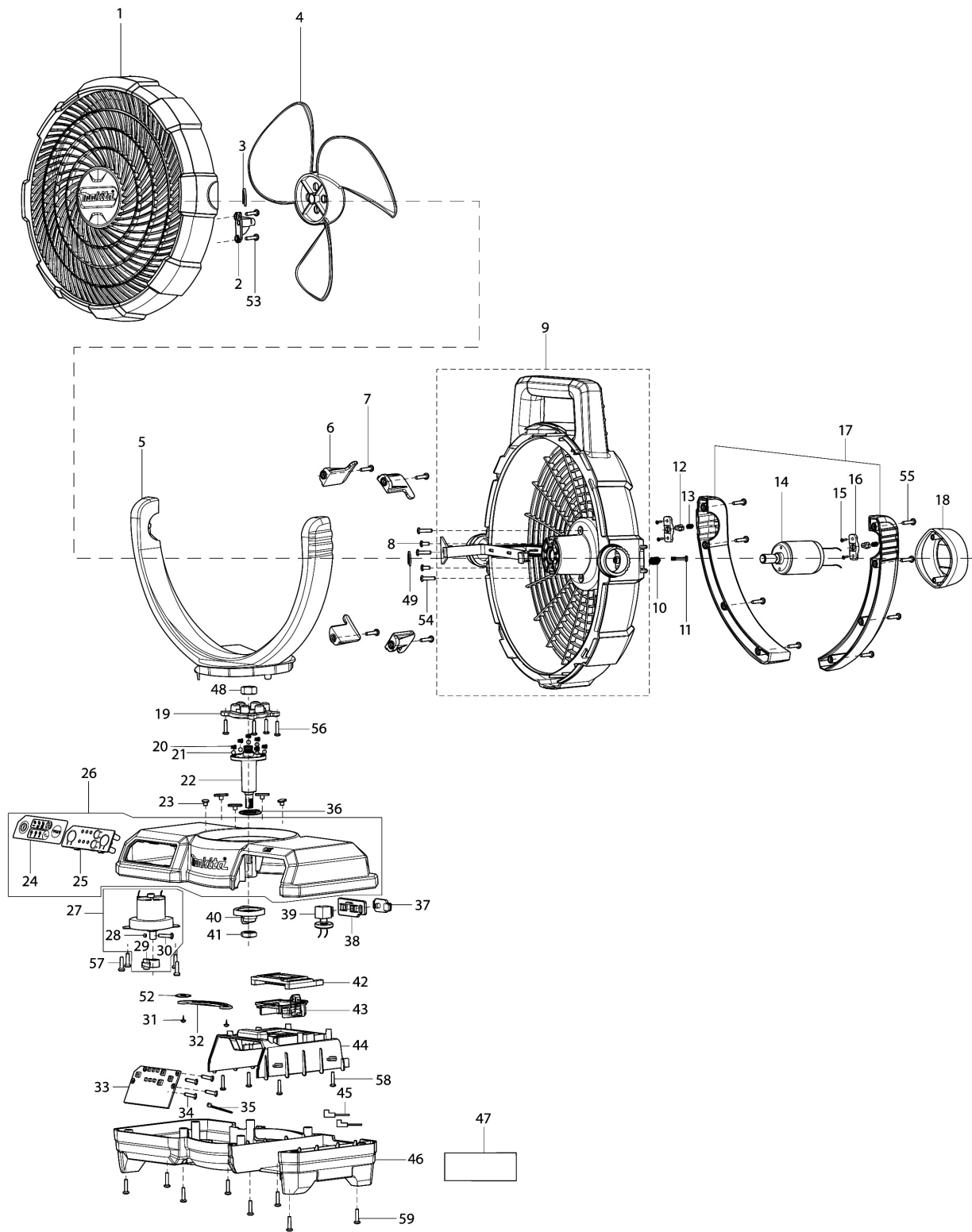


모델명 : DCF203



모델명 : DCF203

도번	부품코드	품명	단위	소요량
001	TE00000371	FRONT COVER OF THE BODY	EA	1
002	TE00000362	RELEASE BUTTON	EA	1
003	TE00000373	CIRCLIP	EA	1
004	TE00000374	FAN BLADE	EA	1
005	TE00000375	FRONT COVER OF STAND	EA	1
006	TE00000376	SHELL HOOK	EA	4
007	TE00000028	TAPPING SCREW 3X14	PC.	4
008	TE00000030	P.H.SCREW M3X5	PC.	2
009	TE00000363	BACK COVER OF THE BODY	EA	1
010	TE00000378	SPRING	EA	1
011	TE00000364	LOCKED SCREW FOR FRONT HOUSING	EA	1
012	TE00000190	SPARE PARTS FOR POM	EA	2
013	TE00000197	SPRING1	EA	2
014	TE00000380	MOTOR	EA	1
015	TE00000203	SELF-TAPPING SCREW 2.5X8	EA	4
016	TE00000189	SMALL GEAR PRESSING PARTS	EA	2
017	TE00000381	BACK COVER OF THE SUPPORT LR	EA	1
018	TE00000011	MOTOR COVER	PC.	1
019	TE00000062	CORPLING	EA	1
020	TE00000064	COMPRESSION SPRING	EA	6
021	TE00000063	STEEL BALL	EA	6
022	TE00000382	PRINCIPAL AXIS	EA	1
023	TE00000089	POM PLATE	EA	5
024	TE00000365	SWITCH LABEL	EA	1
025	TE00000384	SWITCH PANEL	EA	1
026	TE00000385	UPPER BASE	EA	1
027	TE00000386	SUB MOTOR	EA	1
028	TE00000281	NUT M3	EA	1
29	TE00000282	SHAKE HEAD-POM 2	EA	1
30	TE00000102	PHILLIPS HEAD SCREW M3*14	EA	1
31	TE00000256	TAPPING SCREW 3X8	EA	2
32	TE00000277	SHAKE HEAD -CONNECTION IRON	EA	1
33	TE00000387	CONTROLLER	EA	1
34	TE00000388	SCREW 3X10	EA	4
35	TE00000407	CABLE TIE	EA	1
36	TE00000090	POM FLAT WASHER 16	EA	1
37	TE00000018	ADAPTER SOCKET CAP	PC.	1
38	TE00000389	ADAPTOR PLATE	EA	1
39	TE00000390	DC CHARGE BASE	EA	1
40	TE00000274	SHAKE HEAD-POM 1	EA	1
41	TE00000276	NUT M8	EA	1
42	TE00000263	CLAMPING PARTS OF BATTERY TOUC	EA	1
43	TE00000247	TERMINAL	EA	1
44	TE00000391	BATTERY HOUSING	EA	1
45	TE00000394	LEAD UNIT	EA	1
46	TE00000392	LOWER COVER OF THE BASE	EA	1
47	TE00000399	RATING LABEL	EA	1
48	TE00000069	LOCKNUT M10	EA	1
49	TE00000370	CIRCLIP M3	EA	1
52	TE00000408	WASHER	EA	1

모델명 : DCF203

도번	부품코드	품명	단위	소요량
53	TE00000028	TAPPING SCREW 3X14	PC.	2
54	TE00000028	TAPPING SCREW 3X14	PC.	3
55	TE00000028	TAPPING SCREW 3X14	PC.	8
56	TE00000028	TAPPING SCREW 3X14	PC.	4
57	TE00000028	TAPPING SCREW 3X14	PC.	4
58	TE00000028	TAPPING SCREW 3X14	PC.	4
59	TE00000028	TAPPING SCREW 3X14	PC.	8
A01	TE00000240	AC ADAPTER	EA	1