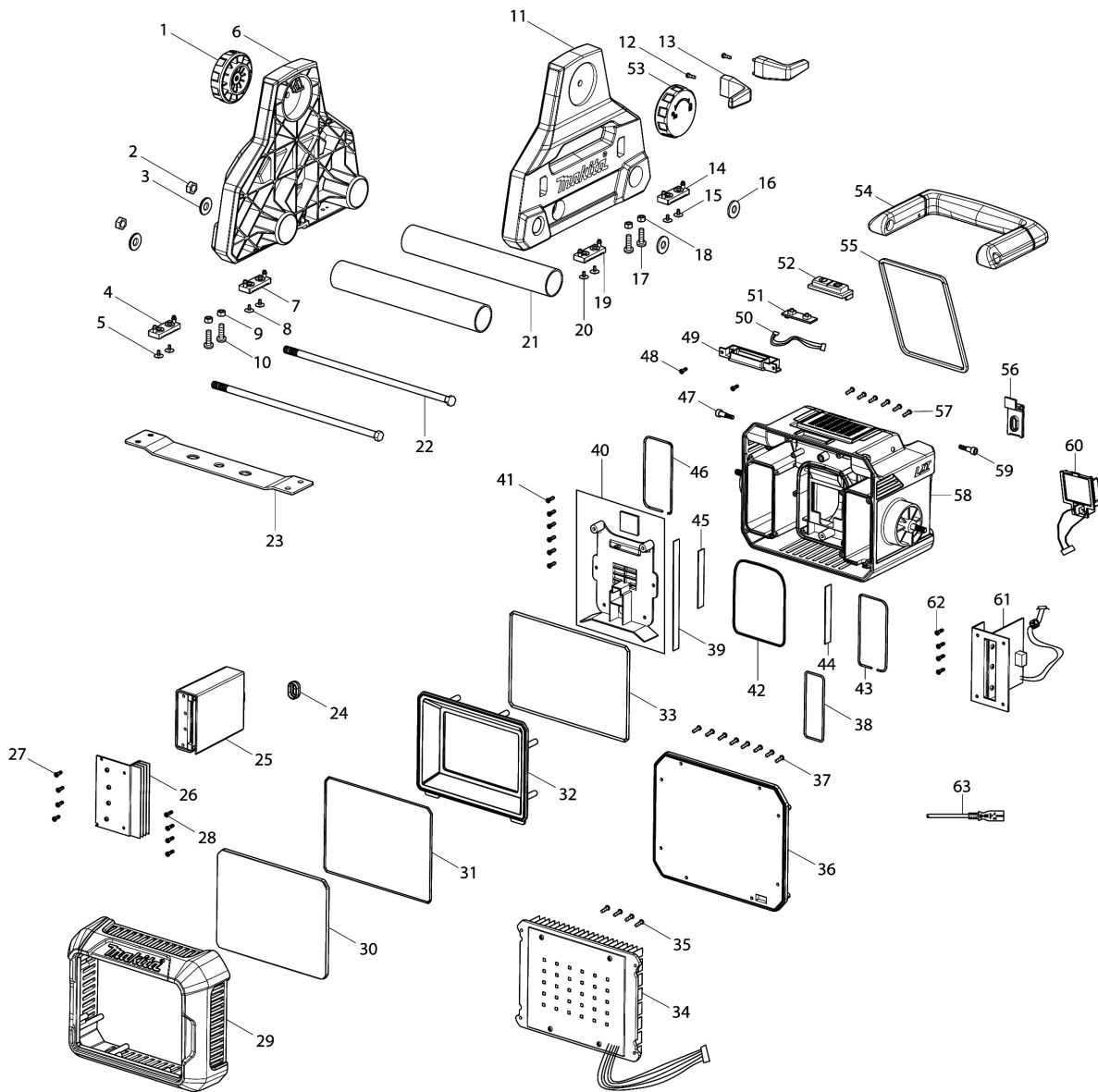


모델명.DML811



모델명 : DML811

도번	부품코드	품명	단위	소요량
001	GM00002160	LATCH KNOB ASSY	EA	1
002	GM00002158	NUT M8	EA	2
003	GM00002157	METAL OD20XID8.5X2MM	EA	2
004	GM00002154	RUBBER FOOT	EA	1
005	GM00002164	SCREW 3X6 PWB	EA	2
006	GM00002162	STAND LEFT ASSY	EA	1
007	GM00002154	RUBBER FOOT	EA	1
008	GM00002164	SCREW 3X6 PWB	EA	2
009	GM00002155	NUT M5	EA	2
010	GM00002156	SCREW 5X15 PM	EA	2
011	GM00002161	STAND RIGHT ASSY	EA	1
012	GM00002165	SCREW 3X18 PT	EA	2
013	GM00002159	AC POWER CORD HOOKS	EA	2
014	GM00002154	RUBBER FOOT	EA	1
015	GM00002164	SCREW 3X6 PWB	EA	2
016	GM00002157	METAL OD20XID8.5X2MM	EA	2
017	GM00002156	SCREW 5X15 PM	EA	2
018	GM00002155	NUT M5	EA	2
019	GM00002154	RUBBER FOOT	EA	1
020	GM00002164	SCREW 3X6 PWB	EA	2
021	GM00002153	STAND HOLDING TUBE	EA	2
022	GM00002152	METAL M8 BOLT	EA	2
023	GM00002151	BASE HOLDING PLATE	EA	1
024	GM00002150	AC SOCKET HOLDER O-RING	EA	1
025	GM00002148	EU AC POWER ASSY	EA	1
026	GM00002145	AC POWER HEAT SINK ASSY	EA	1
027	GM00002149	SCREW 3X14 PB NI	EA	4
028	GM00002165	SCREW 3X18 PT	EA	4
29	GM00002114	FRONT COVER ASSY	EA	1
30	GM00002115	LENS ASSY	EA	1
31	GM00002116	LENS O-RING	EA	1
32	GM00002117	REFLECTOR ASSY	EA	1
33	GM00002118	RUBBER HEAT SINK O-RING A	EA	1
34	GM00002119	LED PCBA ASSY	EA	1
35	GM00002165	SCREW 3X18 PT	EA	4
36	GM00002120	MID-BODY COVER	EA	1
37	GM00002165	SCREW 3X18 PT	EA	8
38	GM00002133	MID-BODY O-RING	EA	1
39	GM00002166	EVA-B	EA	1
40	GM00002130	TERMINAL HOLDING PLATE ASSY	EA	1
41	GM00002165	SCREW 3X18 PT	EA	6
42	GM00002131	TERMINAL HOLDING PLATE O-RING	EA	1
43	GM00002132	MID-BODY O-RING	EA	1
44	GM00002134	EVA-B	EA	1
45	GM00002134	EVA-B	EA	1
46	GM00002132	MID-BODY O-RING	EA	1
47	GM00002137	INSIDE-HEX SCREW	EA	1
48	GM00002149	SCREW 3X14 PB NI	EA	2
49	GM00002138	SWITCH HOLDER	EA	1

모델명 : DML811

도번	부품코드	품명	단위	소요량
50	GM00002139	4P WAFER	EA	1
51	GM00002140	SWITCH PCBA ASSY	EA	1
52	GM00002141	SWITCH ASSY	EA	1
53	GM00002160	LATCH KNOB ASSY	EA	1
54	GM00002144	HANDLE ASSY	EA	1
55	GM00002143	LATCH O-RING	EA	1
56	GM00002142	AC SOCKET O-RING	EA	1
57	GM00002165	SCREW 3X18 PT	EA	6
58	GM00002136	MID-BODY ASSY	EA	1
59	GM00002137	INSIDE-HEX SCREW	EA	1
60	GM00002135	BATTERY HOLDER ASSY	EA	1
61	GM00002121	MAIN PCBA ASSY	EA	1
62	GM00002165	SCREW 3X18 PT	EA	4
63	GM00002125	KOREA AC POWER CORD	EA	1