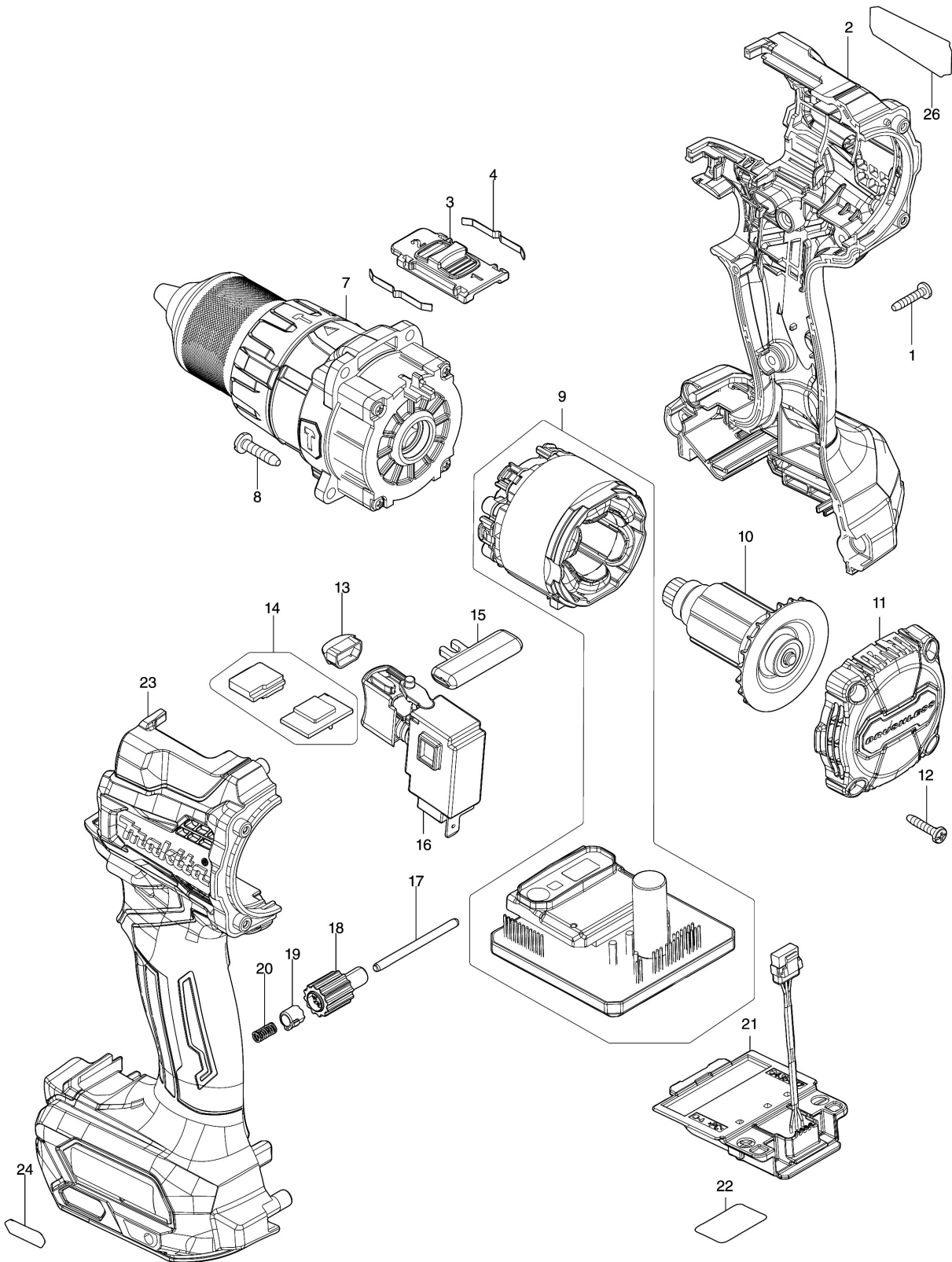


모델명 : HP001G



모델명 : HP001G

도번	부품코드	품명	단위	소요량
001	266130-9	TAPPING SCREW BIND	EA	7
002	183N73-3	HOUSING SET	EA	1
003	127494-5	SPEED CHANGE LEVER ASSEMBLY	EA	1
004	232220-0	LEAF SPRING	EA	2
007A	136359-9	KEYLESS DRILL CHUCK ASSY	EA	1
008	266326-2	TAPPING SCREW 4X18	PC	4
009	629476-8	STATOR COMPLETE	EA	1
010	619613-2	ROTOR	EA	1
011	412361-0	REAR COVER	EA	1
012	266130-9	TAPPING SCREW BIND	EA	4
013	620549-0	LED CIRCUIT	EA	1
014	620C81-2	SENSOR CIRCUIT	EA	1
015	419041-9	F/R CHANGE LEVER	PC	1
016	651443-5	SWITCH C3JR-4B	EA	1
017	256949-4	ROD 3	EA	1
018	140R76-4	DIAL COMPLETE	EA	1
019	313288-6	DIAL CAM	EA	1
020	232597-3	COMPRESSION SPRING 3	EA	1
021	632P49-4	TERMINAL UNIT	EA	1
022	856S98-7	HP001G SERIAL NO. LABEL	EA	1
023	183N73-3	HOUSING SET	EA	1
024	8007R2-2	XGT LOGO LABEL	EA	1
026	856S91-1	HP001G NAME PLATE	EA	1
A01	127551-9	GRIP ASSEMBLY	EA	1
A02	251314-2	+ SCREW M4X12	EA	2
A03	346317-0	HOOK	PC.	1
A04	784637-8	+ BIT 2-45	PC	2
A05	452947-8	BIT HOLDER	EA	1
A06	122576-8	STOPPER POLE ASSY	EA	1
A07	412393-7	BATTERY COVER	EA	1
A10	821551-8.	CONNECTOR PLASTIC CASE	EA	1
A11	835F93-2	INNER TRAY	EA	1
B01	BL4025(191B39-7)	BATTERY BL4025	EA	1
B02	BL4040(191B29-0)	BATTERY BL4040	EA	1
B03	DC40RA(191E17-5)	FAST CHARGER DC40RA	EA	1