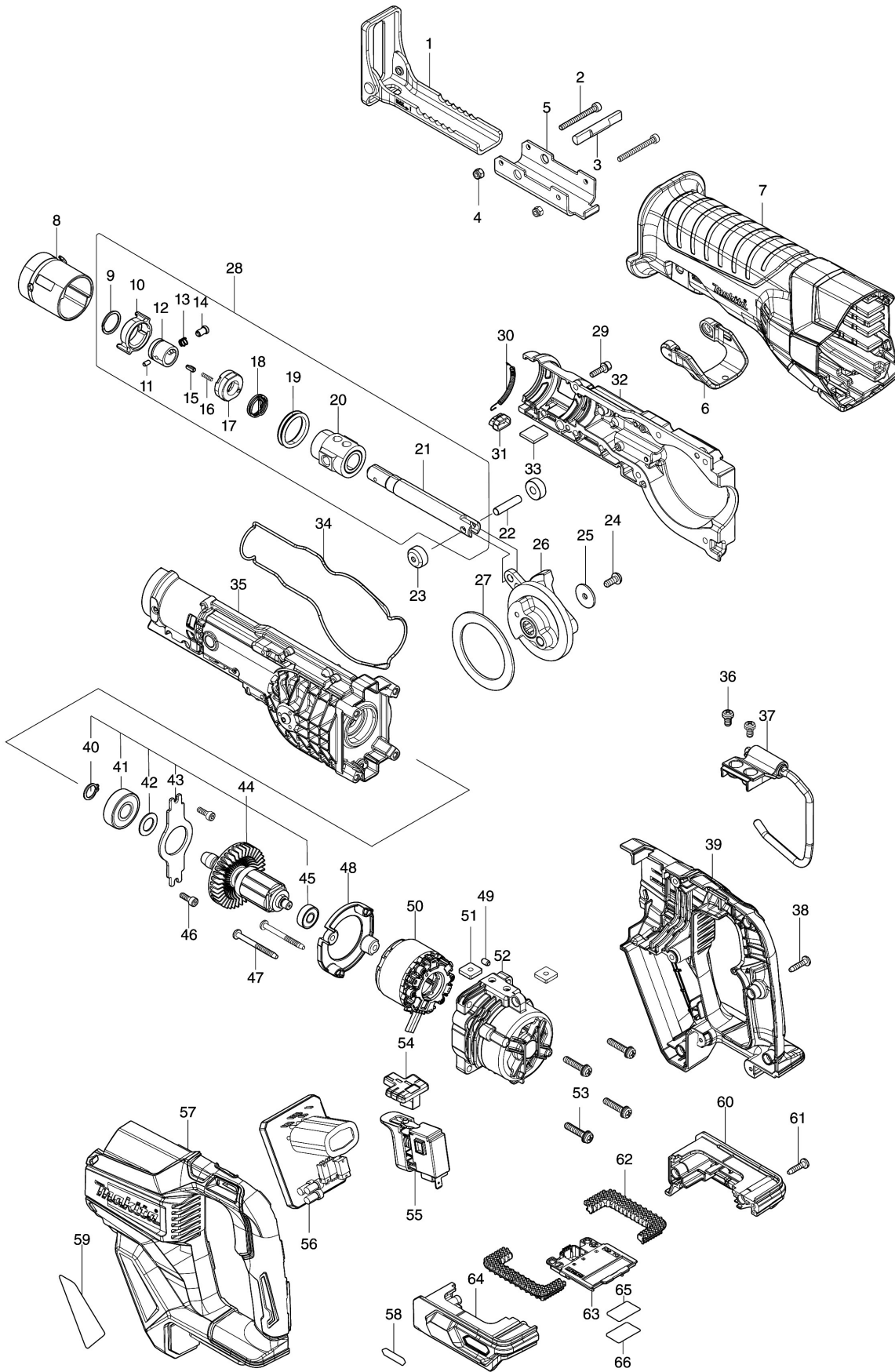


모델명 : JR001G



**모델명 : JR001G**

도번	부품코드	품명	단위	소요량
001	162739-4	SHOE	EA	1
002	265A78-8	HEX SOCKET HEAD BOLT M4X40	EA	2
003	326599-0	LOCK PIN	EA	1
004	252126-6	HEX. LOCKING NUT M4-7	PC	2
005	347637-5	SHOE GUIDE PLATE	EA	1
006	459924-1	LOCK LEVER	EA	1
007	422542-8	INSULATION COVER	EA	1
008	459923-3	RELEASE DRUM	EA	1
009	257430-8	RETAINING RING (EXT)18	EA	1
010	310848-5	DRIVING SLEEVE	EA	1
011	268094-3	PIN 3	EA	1
012	327650-9	GUIDE SLEEVE	EA	1
013	234381-2	COMPRESSION SPRING 6	EA	1
014	256569-4	SHOULDER PIN 5	EA	1
015	310912-2	PUSH PIN	EA	1
016	232472-3	COMPRESSION SPRING 2	EA	1
017	458968-8	CONNECTING SLEEVE	EA	1
018	233594-2	TOPSION SPRING 17	EA	1
019	422309-4	RUBBER RING 25	EA	1
020	140P52-6	SLIDER GUIDE COMPLETE	EA	1
021	327652-5	SLDIER	EA	1
022	256945-2	PIN 6	EA	1
023	310991-0	ROLLER	EA	2
024	265374-8	H.S. BUTTON HEAD SCREW M5X12	EA	1
025	253462-3	FLAT WASHER 5	EA	1
26	140P53-4	GEAR COMPLETE	EA	1
27	253463-1	FLAT WASHER 51	EA	1
28	136224-3	SLIDER ASSY	EA	1
29	922128-3	HEX. SOCKET HEAD BOLT M4X16	EA	6
30	232583-4	TENSION SPRING 3	EA	1
31	620C32-5	LED CIRCUIT	EA	1
032A	140W37-4	GEAR HOUSING R COMPLETE	EA	1
33	424858-7	FELT 16X16	EA	1
34	422541-0	SEAL RING	EA	1
035A	140W36-6	GEAR HOUSING L COMPLETE	EA	1
36	911206-4	PAN HEAD SCREW M5X10	EA	2
37	127468-6	HOOK ASSEMBLY	EA	1
38	266326-2	TAPPING SCREW 4X18	PC	6
39	183N57-1	HANDLE SET	EA	1
40	961052-5	RETAINING RING S-12	EA	1
41	211129-9	BALL BEARING 6201LLU(DDW)	EA	1
42	253744-3	FLAT WASHER 12	PC	1
43	285038-8	BEARING RETAINER 80	EA	1
44	510447-5	ROTOR ASSY	EA	1
45	210062-2	BALL BEARING 607ZZ	PC	1
46	922117-8	HEX. SOCKET HEAD BOLT M4X12	PC.	2
47	266425-0	TAPPING SCREW 4*45	EA	2
48	456178-1	BAFFLE PLATE	EA	1
49	263002-9	RUBBER PIN 4	EA	1
50	629470-0	STATOR	EA	1
51	264002-2	SQUARE NUT M5	EA	2
52	412476-3	MOTOR HOUSING	EA	1

**모델명 : JR001G**

도번	부품코드	품명	단위	소요량
53	911243-8	PAN HEAD SCREW M5X25	EA	4
54	456177-3	CHANGE BUTTON	EA	1
55	651439-6	SWITCH C3JR-4B-2	EA	1
56	620C31-7	CONTROLLER	EA	1
57	183N57-1	HANDLE SET	EA	1
58	8005T5-8	XGT LOGO LABEL	EA	1
59	856P39-5	JR001G NAME PLATE	EA	1
60	183N58-9	BATTERY HOUSING SET	EA	1
61	266326-2	TAPPING SCREW 4X18	PC	2
62	422543-6	CUSHION RUBBER	EA	2
063A	632P75-3	TERMINAL UNIT	EA	1
64	183N58-9	BATTERY HOUSING SET	EA	1
65	856P46-8	JR001G SERIAL NO. LABEL	EA	1
66	8008P3-2	CLEAR LABEL	EA	1
A01	B-05038	컷소날 금속용	EA	1
A02	B-05044	컷소날 FOR PLYWOOD	EA	1
A03	B-05153	컷소날 FOR WOOD	EA	1