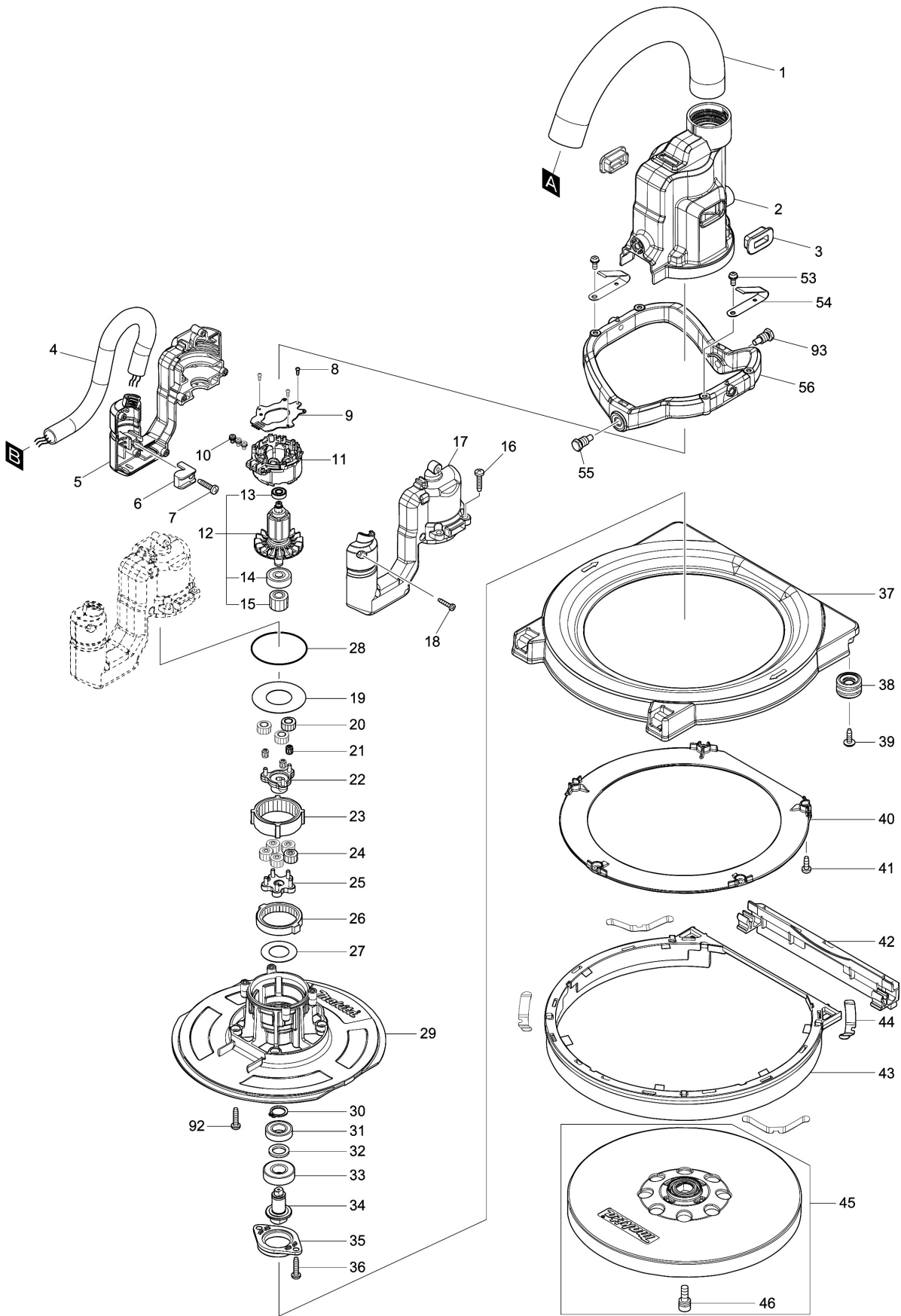
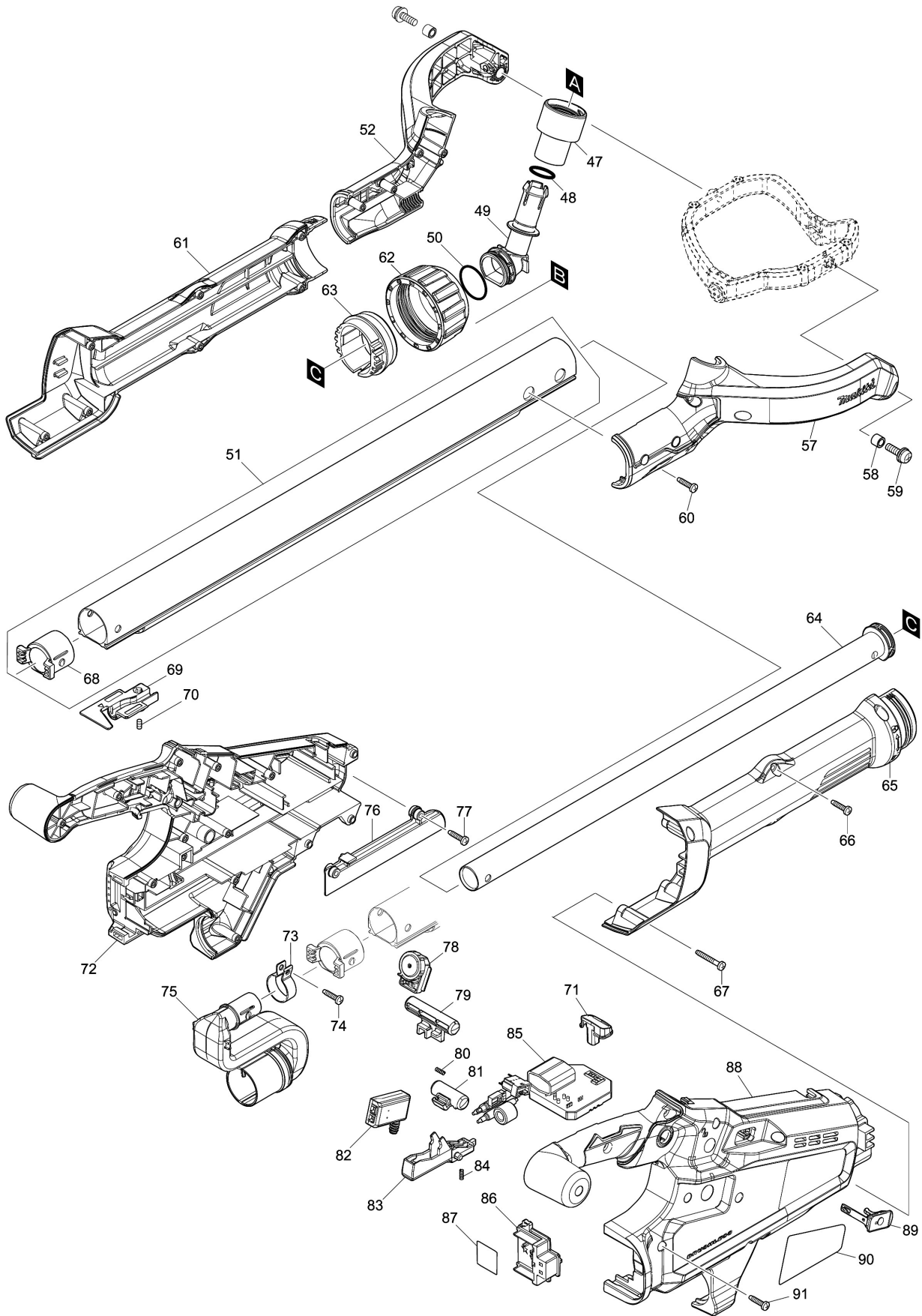


모델명 : DSL800



모델명 : DSL800



**모델명 : DSL800**

도번	부품코드	품명	단위	소요량
001	245058-4	HOSE 28-0.25	EA	1
002	459217-6	HEAD COVER	EA	1
003	422446-4	RUBBER CAP	EA	2
004	699129-3	POWER SUPPLY CORD UNIT	EA	1
005	183L77-3	MOTOR HOUSING SET	EA	1
006	687261-5	CORD CLAMP	EA	1
007	265995-6	TAPPING SCREW 4X18	EA	1
008	266490-9	TAPPING SCREW PT 2X6	EA	3
009	620B02-8	CONTROLLER B	EA	1
010	652069-6	FLAT HEAD SCREW M3X6	EA	3
011	629409-3	STATOR	EA	1
012	519567-2	ROTOR ASSY	EA	1
013	210039-7	BALL BEARING 695DDW	EA	1
014	210023-2	BALL BEARING 627DDW	PC	1
015	226888-2	SPUR GEAR 19	EA	1
016	265995-6	TAPPING SCREW 4X18	EA	4
017	183L77-3	MOTOR HOUSING SET	EA	1
018	266429-2	TAPPING SCREW 3X16	PC.	6
019	253437-2	FLAT WASHER 23	EA	1
020	226886-6	SPUR GEAR 14	EA	3
021	212131-5	NEEDLE CAGE 307	PC.	3
022	140J82-1	SPUR GEAR 17 COMPLETE	EA	1
023	226890-5	INTERNAL GEAR 47	EA	1
024	226885-8	SPUR GEAR 13	EA	5
025	140J81-3	CARRIER COMPLETE	EA	1
26	226889-0	INTERNAL GEAR 43	EA	1
27	267789-5	FLAT WASHER 18	PC.	1
28	213606-7	O RING 48	EA	1
29	459216-8	GEAR HOUSING	EA	1
30	961052-5	RETAINING RING S-12	EA	1
31	211150-8	BALL BEARING 6901ZZ	PC	1
32	253746-9	FLAT WASHER 12	PC.	1
33	210105-0	BALL BEARING 6001LLU	EA	1
34	327318-7	SPINDLE	EA	1
35	319823-8	BEARING RETAINER 47	EA	1
36	265995-6	TAPPING SCREW 4X18	EA	2
37	459218-4	COVER	EA	1
38	140T62-7	BEARING COVER COMPLETE	EA	2
39	266901-4	TAPPING SCREW 4X14	EA	2
40	459219-2	BRUSH STOPPER	EA	1
41	266020-6	TAPPING SCREW.FLANGE.PT4X12	PC	5
42	140J86-3	BRUSH B COMPLETE	EA	1
43	140J85-5	BRUSH A COMPLETE	EA	1
44	232510-1	LEAF SPRING	EA	4
45	199939-3	PAD 210 SET	EA	1
46	922323-5	HEX.SOCKET HEAD BOLT M6X16	PC	1
47	459223-1	HOSE CONNECTOR	EA	1
48	213304-3	O RING 20	EA	1
49	459222-3	JOINT	EA	1
50	213393-8	O RING 23	PC.	1
51	140N60-5	PIPE A COMPLETE	EA	1
52	183L76-5	ARM SET	EA	1

**모델명 : DSL800**

도번	부품코드	품명	단위	소요량
53	911113-1	PAN HEAD SCREW	EA	2
54	232534-7	LEAF SPRING	EA	2
55	265A35-6	HEX. BOLT M8X17	EA	1
56	319808-4	FRAME	EA	1
57	183L76-5	ARM SET	EA	1
58	262561-0	SLEEVE 6	EA	2
59	911334-5	PAN HEAD SCREW M6X20	PC	2
60	265995-6	TAPPING SCREW 4X18	EA	4
61	183L78-1	PIPE HOUSING SET	EA	1
62	459226-5	LOCK RING	EA	1
63	140J84-7	LOCK SLEEVE COMPLETE	EA	1
64	140L61-1	PIPE B COMPLETE	EA	1
064-1	459225-7	PIPE STOPPER B	EA	1
65	183L78-1	PIPE HOUSING SET	EA	1
66	265995-6	TAPPING SCREW 4X18	EA	4
67	266050-7	TAPPING SCREW.FLANGE.PT.4X30	PC	3
68	459224-9	PIPE STOPPER A	EA	1
69	459228-1	CORD HOLDER	EA	1
70	913106-4	SET SCREW M4X8	PC	1
71	140J83-9	INDICATOR PANEL COMPLETE	EA	1
72	183L75-7	HANDLE SET	EA	1
73	346248-3	PIPE CLAMP 24	EA	1
74	265995-6	TAPPING SCREW 4X18	EA	1
75	459234-6	DUST NOZZLE	EA	1
76	459229-9	CORD COVER	EA	1
77	265995-6	TAPPING SCREW 4X18	EA	2
78	620796-3	DIAL CIRCUIT	EA	1
79	459230-4	LOCK OFF BUTTON	EA	1
80	231433-0	COMPRESSION SPRING 4	EA	1
81	419705-5	LOCK ON BUTTON	EA	1
82	651083-9	SWITCH C3XA-1PSPM	EA	1
83	459231-2	SWITCH LEVER	EA	1
84	231433-0	COMPRESSION SPRING 4	EA	1
85	620B01-0	CONTROLLER	EA	1
86	644809-6	TERMINAL	EA	1
87	855W07-7	DSL800 SERIAL NO. LABEL	EA	1
88	183L75-7	HANDLE SET	EA	1
89	140F99-0	CAP COMPLETE	EA	1
089-1	213218-6	O RING 16	EA	1
089-1	818H07-8	CAP LABEL	EA	1
90	855W00-1	DSL800 NAME PLATE	EA	1
91	265995-6	TAPPING SCREW 4X18	EA	10
92	265995-6	TAPPING SCREW 4X18	EA	4
93	265A68-1	HEX. BOLT M8X22	EA	1
A01	B-68404	배빠 9홀 225mm 그리트 120 25개 포장	SET	1
A02	783217-7	HEX. WRENCH 5	PC	1
A03	195638-5	TOOL BAG SET	EA	1
A04	835B53-0	INNER TRAY	EA	1
B01	KB-68389-25	원형#40 225mm 9홀(25/1SET)	EA	0
B02	KB-68410-25	원형#180 225mm 9홀(25/1SET)	EA	0
B03	KB-68426-25	원형#320 225mm 9홀(25/1SET)	EA	0