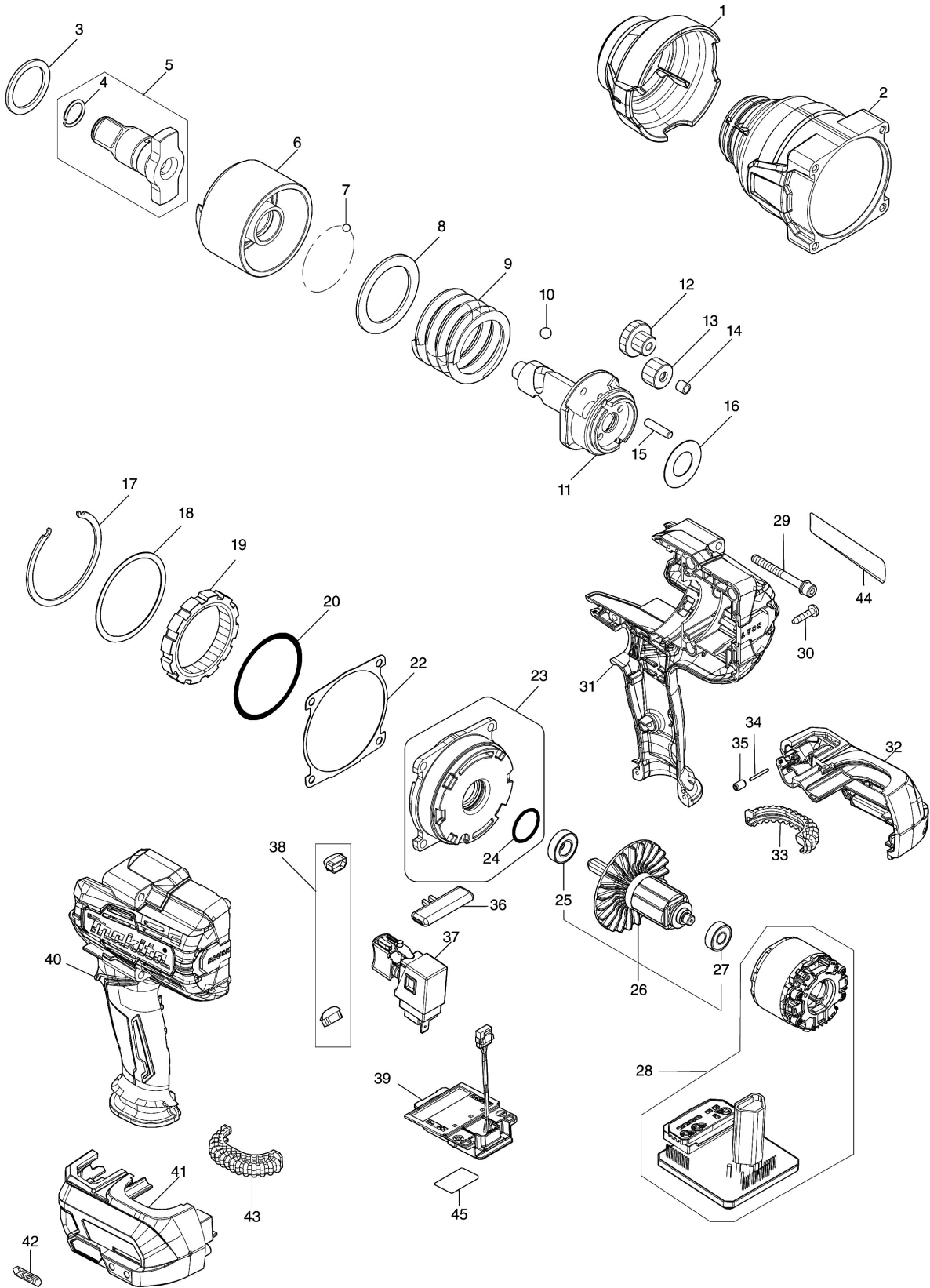


모델명.TW001G [무선 임팩트 렌치]



모델명 : TW001G

도번	부품코드	품명	단위	소요량
001	422594-9	BUMPER	EA	1
002	140T99-4	HAMMER CASE COMPLETE	EA	1
003	267250-2	FLAT WASHER 30	EA	1
004	232334-5	RING SPRING 16	EA	1
005	136249-7	ANVIL E ASSY	EA	1
006	327595-1	HAMMER	EA	1
007	216002-8	STEEL BALL 4.8	EA	30
008	253478-8	FLAT WASHER 41	EA	1
009	232623-8	COMPRESSION SPRING 41	EA	1
010	216009-4	STEEL BALL 7.1	EA	2
011	327594-3	SPINDLE	EA	1
012	226990-1	SPUR GEAR 11-22	EA	2
013	226989-6	SPUR GEAR 15	EA	2
014	257539-6	SLEEVE 5	EA	2
015	268238-5	PIN 5	EA	4
016	267235-8	FLAT WASHER 18	EA	1
017	346947-7	RETAINER	EA	1
018	253479-6	FLAT WASHER 57	EA	1
019	226991-9	INTERNAL SPUR GEAR 50	EA	1
020	213663-5	O RING 55	EA	1
022	422595-7	GASKET	EA	1
023	136279-8	INTERNAL GEAR CASE ASSY	EA	1
024	213961-7	O RING 22	EA	1
025	210069-8	BALL BEARING 6900DDW	EA	1
026	519630-1	ROTOR ASSY	EA	1
027	211022-7	BALL BEARING 607ZZ	EA	1
028	629A16-8	STATOR UNIT	EA	1
029	265B38-6	H. S. HEAD BOLT M5X50 WITH WRM	EA	4
30	266326-2	TAPPING SCREW 4X18	EA	9
31	183P61-2	HOUSING SET	EA	1
32	183P62-0	BATTERY HOUSING SET	EA	1
33	424773-5	CUSHION RUBBER	EA	1
34	268284-8	PIN 1.5	EA	1
35	263036-2	RUBBER PIN 5	EA	1
36	456268-0	F/R CHANGE LEVER	EA	1
37	140U03-9	SWITCH COMPLETE	EA	1
38	620D09-6	LED CIRCUIT	EA	1
39	632P49-4	TERMINAL UNIT	EA	1
40	183P61-2	HOUSING SET	EA	1
41	183P62-0	BATTERY HOUSING SET	EA	1
42	8005T5-8	XGT LOGO LABEL	EA	1
43	424773-5	CUSHION RUBBER	EA	1
44	857G20-5	TW001G NAME PLATE	EA	1
45	857G27-1	TW001G SERIAL NO. LABEL	EA	1
A01	251314-2	SCREW M4X12	EA	2
A02	346949-3	HOOK	EA	1
A04	835K85-1	INNER TRAY	EA	1