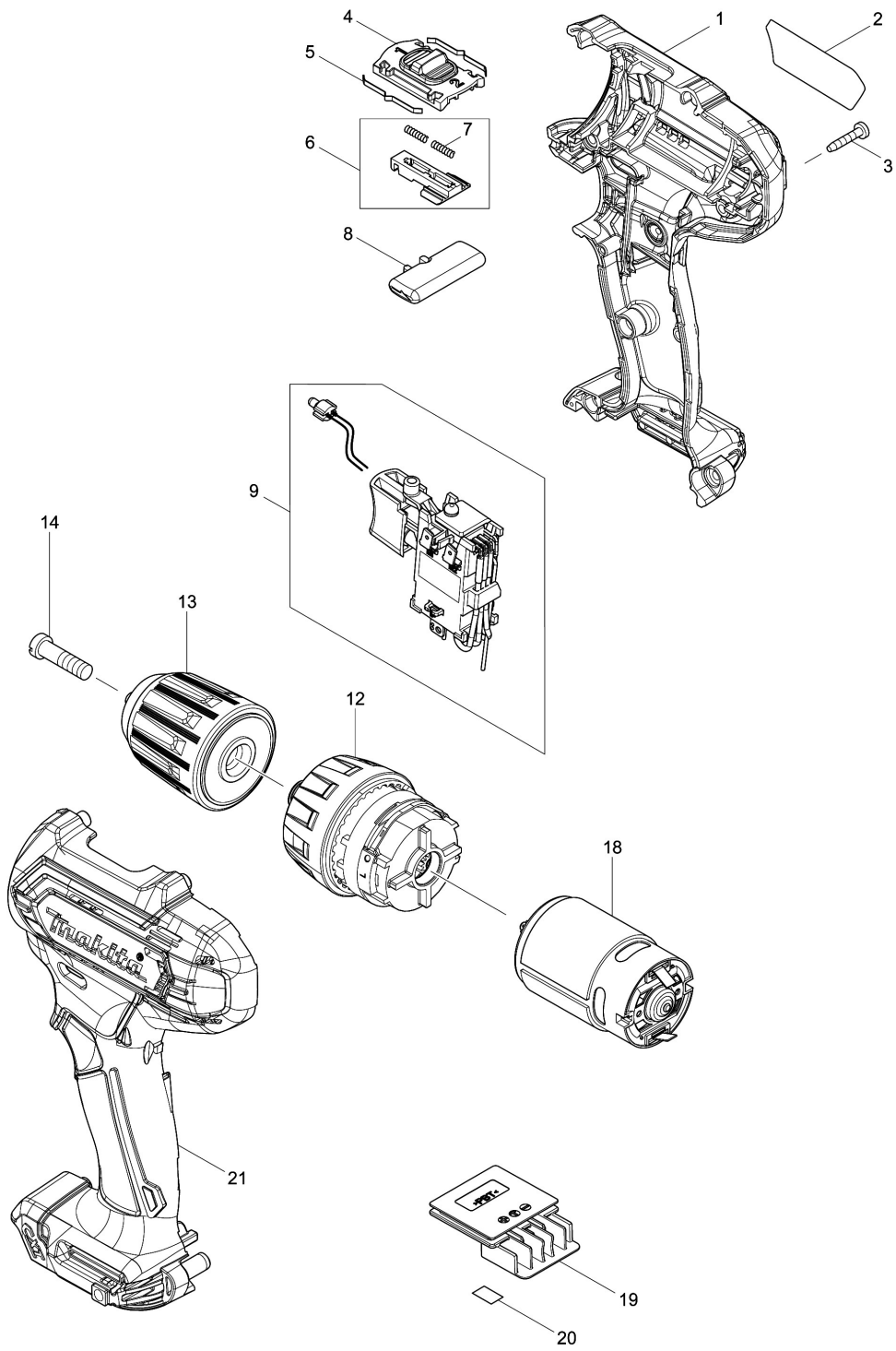


모델명.DF333D [무선 드라이버 드릴]



**모델명 : DF333D**

도번	부품코드	품명	단위	소요량
001	183K90-5	HOUSING SET	EA	1
001-1	252126-6	HEX. LOCKING NUT M4-7	EA	2
002	855E35-4	DF333D NAME PLATE	EA	1
003	266429-2	TAPPING SCREW 3X16	EA	9
004	459026-3	SPEED CHANGE LEVER	EA	1
005	232493-5	LEAF SPRING	EA	2
006	127127-2	CHANGE LEVER ASSEMBLY	EA	1
007	233025-1	COMPRESSION SPRING 2	EA	2
008	456039-5	F/R CHANGE LEVER	EA	1
009	632J76-5	SWITCH UNIT	EA	1
009-1	620625-0	LED CIRCUIT	EA	1
009-2	688161-2	LINE FILTER	EA	1
012	127125-6	GEAR ASSEMBLY	EA	1
013	763238-5	KEYLESS DRILL CHUCK 10	EA	1
014	251468-5	FLAT HEAD SCREW M6X22	EA	1
018	629395-8	DC MOTOR	EA	1
019	644813-5	TERMINAL	EA	1
020	855E42-7	DF333D SERIAL NO. LABEL	EA	1
021	183K90-5	HOUSING SET	EA	1
021-1	252126-6	HEX. LOCKING NUT M4-7	EA	2
A01	251314-2	SCREW M4X12	EA	1
A02	346909-5	HOOK	EA	1
A03	784202-3	PHILLIPS BIT 2-45	EA	1
E01	632N11-7	LINE FILTER UNIT	EA	1