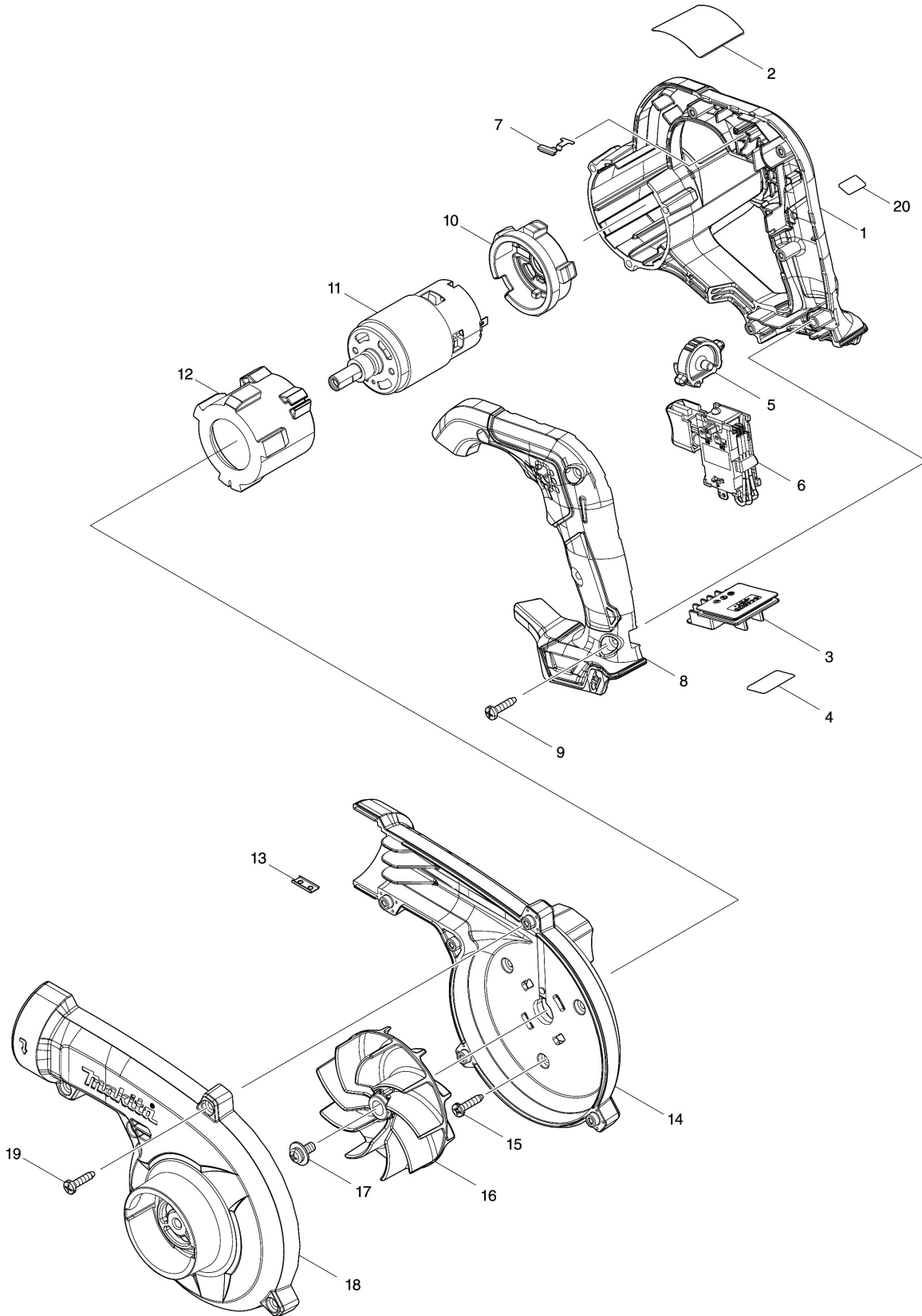


모델명.UB100D [무선 송풍기]



모델명 : UB100D

| 도번 | 부품코드 | 품명 | 단위 | 소요량 |
|-------|----------|------------------------------|----|-----|
| 001 | 183R73-7 | MOTOR HOUSING SET | EA | 1 |
| 002 | 857R07-3 | UB100D NAME PLATE | EA | 1 |
| 003 | 644813-5 | TERMINAL | EA | 1 |
| 004 | 857R14-6 | UB100D SERIAL NO. LABEL | EA | 1 |
| 005 | 412573-5 | DIAL | EA | 1 |
| 006 | 632R61-6 | SWITCH UNIT | EA | 1 |
| 007 | 232620-4 | LEAF SPRING | EA | 1 |
| 008 | 183R73-7 | MOTOR HOUSING SET | EA | 1 |
| 009 | 266326-2 | TAPPING SCREW 4X18 | EA | 5 |
| 010 | 422589-2 | MOTOR RUBBER RING B | EA | 1 |
| 011 | 629A20-7 | DC MOTOR | EA | 1 |
| 012 | 422588-4 | MOTOR RUBBER RING A | EA | 1 |
| 013 | 345998-7 | SET PLATE | EA | 1 |
| 014 | 183R77-9 | FAN HOUSING SET | EA | 1 |
| 015 | 266326-2 | TAPPING SCREW 4X18 | EA | 3 |
| 016 | 240210-9 | FAN 85 | EA | 1 |
| 017 | 265B25-5 | PAN HEAD SCREW M5X12 WITH WG | EA | 1 |
| 018 | 183R77-9 | FAN HOUSING SET | EA | 1 |
| 019 | 266326-2 | TAPPING SCREW 4X18 | EA | 5 |
| A01 | 123245-4 | NOZZLE ASSEMBLY | EA | 1 |
| A01-1 | 454703-2 | JOINT | EA | 1 |