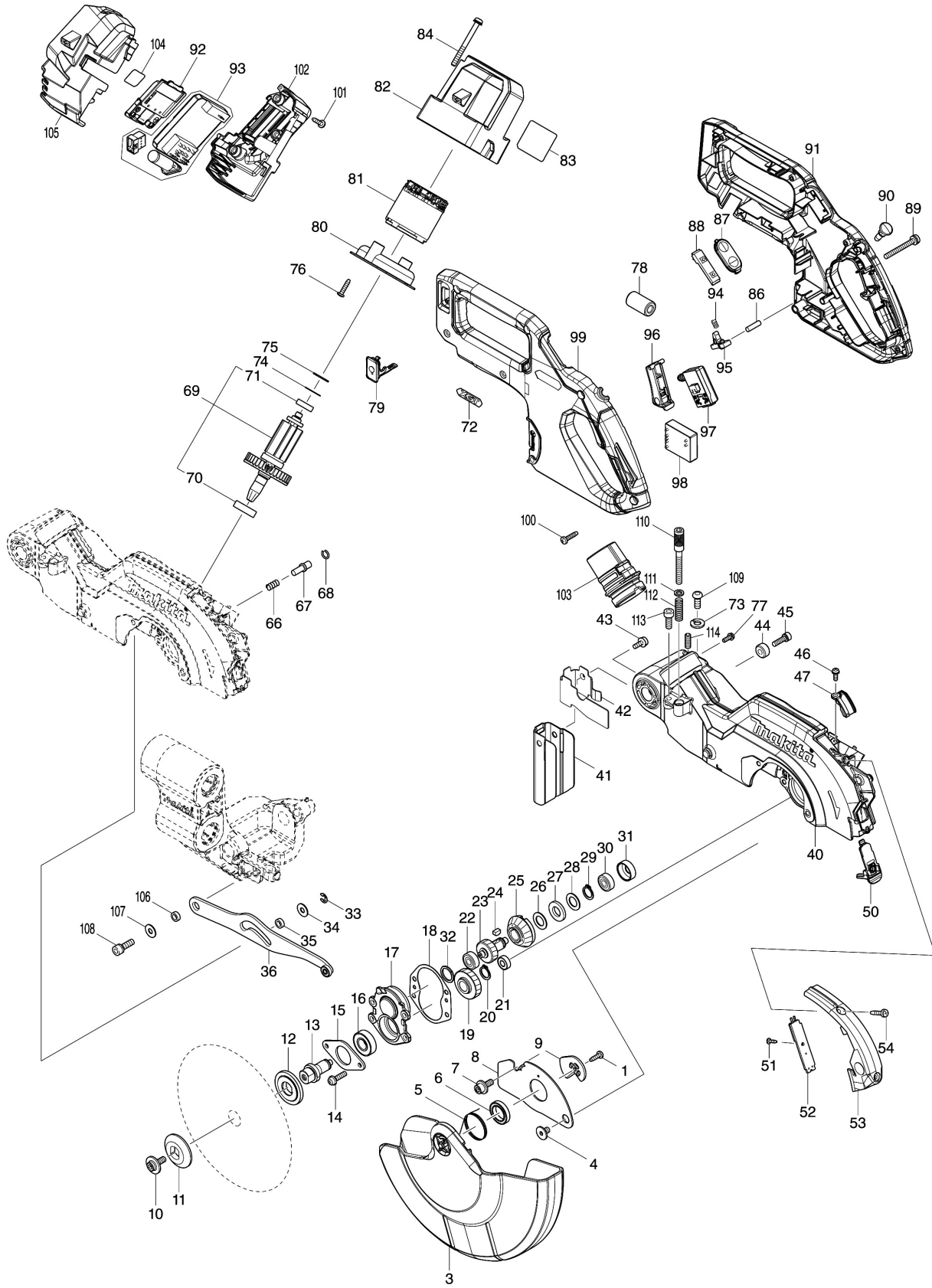
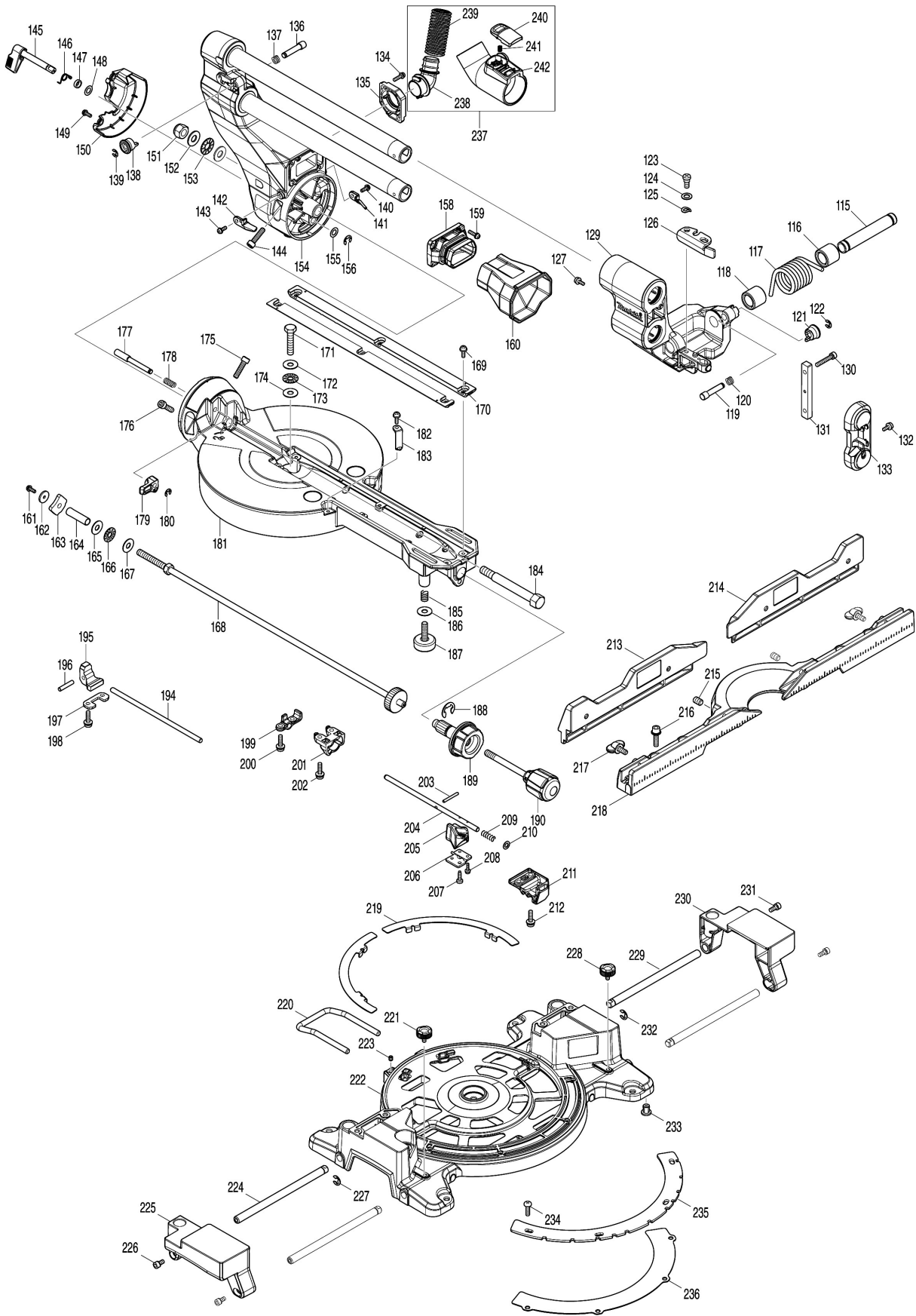


모델명.LS002G [무선 탁상 슬라이드 원형톱]



모델명.LS002G [무선 탁상 슬라이드 원형톱]



모델명 : LS002G

도번	부품코드	품명	단위	소요량
001	266192-7	TAPPING SCREW 4X14	EA	1
003	412933-1	SAFETY COVER	EA	1
004	265985-9	HEX.SOCKET HEAD BOLT M6	EA	1
005	232311-7	TORSION SPRING 30	EA	1
006	210150-5	BALL BEARING 6803DDW	EA	1
007	266732-1	HEX. SOCKET HEAD BOLT M6X16	EA	1
008	347731-3	CENTER COVER	EA	1
009	347059-9	CENTER PLATE	EA	1
010	266733-9	HEX. S.F.H. BOLT M6X16	EA	1
011	224275-9	OUTER FLANGE 40	EA	1
012	224614-3	INNER FLANGE 40	EA	1
013	327697-3	SPINDLE	EA	1
014	911233-1	PAN HEAD SCREW M5X20	EA	4
015	285043-5	BEARING RETAINER 52	EA	1
016	211131-2	BALL BEARING 6001DDW	EA	1
017	312A44-7	BEARING BOX	EA	1
018	422652-1	GASKET	EA	1
019	227838-0	HELICAL GEAR 43	EA	1
020	961052-5	RETAINING RING S-12	EA	1
021	210006-2	BALL BEARING 696ZZ	EA	1
022	211021-9	BALL BEARING 607LLB	EA	1
023	227837-2	HELICAL GEAR 30	EA	1
24	254011-9	WOODRUFF KEY 4	EA	1
25	227836-4	SPIRAL BEVEL GEAR 33	EA	1
26	253744-3	FLAT WASHER 12	EA	1
27	261104-5	RUBBER WASHER 12	EA	1
28	253744-3	FLAT WASHER 12	EA	1
29	961052-5	RETAINING RING S-12	EA	1
30	211021-9	BALL BEARING 607LLB	EA	1
31	424605-6	RUBBER RING 19	EA	1
32	261153-2	URETHAN WASHER 15	EA	1
33	961018-5	STOP RING E-5	EA	1
34	253804-1	FLAT WASHER 6 FOR HR4000C	EA	1
35	257163-5	RING 6	EA	1
36	140W98-4	LINK PLATE COMPLETE	EA	1
40	140W96-8	BLADE CASE COMPLETE	EA	1
41	422651-3	GUARD	EA	1
42	345438-5	GUARD PLATE	EA	1
43	911119-9	PAN HEAD SCREW M4X12	EA	1
44	257785-1	SLEEVE 6	EA	1
45	922226-3	HEX.SOCKET HEAD BOLT M5X18	EA	1
46	911118-1	PAN HEAD SCREW M4X12	EA	1
47	458075-7	LEAD COVER	EA	1
50	140X03-7	LENS COMPLETE	EA	1
51	266421-8	TAPPING SCREW 3X10	EA	1
52	620E07-6	LED CIRCUIT	EA	1
53	141A59-5	LED COVER COMPLETE	EA	1
54	266034-5	TAPPING SCREW CT 4X16	EA	2
66	231240-1	COMPRESSION SPRING 7	EA	1
67	256633-1	PIN 6	EA	1
68	231928-3	RING SPRING 8	EA	1
69	519649-0	ROTOR ASSY	EA	1

모델명 : LS002G

도번	부품코드	품명	단위	소요량
70	211131-2	BALL BEARING 6001DDW	EA	1
71	210017-7	BALL BEARING 607DDW	EA	1
72	8024V5-2	XGT LOGO LABEL	EA	1
73	942151-2	SPRING WASHER 6	EA	1
74	253842-3	FLAT WASHER 14	EA	1
75	261153-2	URETHAN WASHER 15	EA	1
76	265995-6	TAPPING SCREW 4X18	EA	2
77	911118-1	PAN HEAD SCREW M4X12	EA	1
78	688162-0	LINE FILTER	EA	1
79	140F99-0	CAP COMPLETE	EA	1
80	459933-0	BAFFLE PLATE	EA	1
81	629A26-5	STATOR	EA	1
82	412926-8	MOTOR HOUSING	EA	1
83	858A05-8	LS002G NAME PLATE	EA	1
84	911278-9	PAN HEAD SCREW M5X55	EA	4
86	256123-4	PIN 5	EA	1
87	140X02-9	SWITCH PLATE COMPLETE	EA	1
88	631973-2	SWITCH UNIT	EA	1
89	911268-2	PAN HEAD SCREW M5X45	EA	1
90	417113-4	SWITCH BUTTON	EA	1
91	183R96-5	HANDLE SET	EA	1
92	632P64-8	TERMINAL UNIT	EA	1
93	620E06-8	CONTROLLER	EA	1
94	231026-3	COMPRESSION SPRING 4	EA	1
95	416533-9	LOCK OFF LEVER	EA	1
96	459966-5	SWITCH LEVER	EA	1
97	651083-9	SWITCH C3XA-1PSPM	EA	1
98	620E08-4	POWER SUPPLY CIRCUIT	EA	1
99	183R96-5	HANDLE SET	EA	1
100	265995-6	TAPPING SCREW 4X18	EA	6
101	265995-6	TAPPING SCREW 4X18	EA	3
102	183R92-3	BATTERY HOUSING SET	EA	1
103	459250-8	DUST NOZZLE	EA	1
104	858A11-3	LS002G SERIAL NO. LABEL	EA	1
105	183R92-3	BATTERY HOUSING SET	EA	1
106	257163-5	RING 6	EA	1
107	253804-1	FLAT WASHER 6 FOR HR4000C	EA	1
108	922331-6	HEX.SOCKET HEAD BOLT M6X20	EA	1
109	265484-1	HEX. SOCKET HEAD BOLT M6X18	EA	1
110	265B58-0	HEX SOCKET HEAD BOLT M6X45	EA	1
111	941152-7	FLAT WASHER 6	EA	1
112	233343-7	COMPRESSION SPRING 7	EA	1
113	266757-5	HEX. SOCKET HEAD BOLT M6X16	EA	1
114	266321-2	H.S.HEAD SET SCREW M6X16	EA	1
115	327710-7	ROD 16	EA	1
116	416905-8	SLEEVE 17-23	EA	1
117	231685-3	TORSION SPRING 29	EA	1
118	416905-8	SLEEVE 17-23	EA	1
119	327702-6	LOCK PIN 7-9	EA	1
120	234316-3	COMPRESSION SPRING 7	EA	1
121	271428-1	KNOB 20	EA	1
122	961018-5	STOP RING E-5	EA	1
123	251267-5	PAN HEAD SCREW M6	EA	1
124	253215-0	FLAT WASHER 8	EA	1
125	253948-7	WAVE WASHER 8	EA	1
126	344643-1	STOPPER ARM	EA	1

모델명 : LS002G

도번	부품코드	품명	단위	소요량
127	911119-9	PAN HEAD SCREW M4X12	EA	2
129	140W83-7	FRONT ARM COMPLETE	EA	1
130	922251-4	HEX. SOCKET HEAD BOLT M5X30	EA	2
131	327705-0	SQUARE ROD	EA	1
132	911118-1	PAN HEAD SCREW M4X12	EA	1
133	412938-1	RAIL HOLDER	EA	1
134	911128-8	PAN HEAD SCREW M4X16	EA	2
135	412947-0	INLET	EA	1
136	327702-6	LOCK PIN 7-9	EA	1
137	234316-3	COMPRESSION SPRING 7	EA	1
138	271428-1	KNOB 20	EA	1
139	961018-5	STOP RING E-5	EA	1
140	911118-1	PAN HEAD SCREW M4X12	EA	1
141	412943-8	INDICATION PLATE R	EA	1
142	412942-0	INDICATION PLATE L	EA	1
143	911118-1	PAN HEAD SCREW M4X12	EA	1
144	251582-7	HEX.SOCKET HEAD BOLT M6*25	EA	1
145	271466-3	LEVER 30	EA	1
146	232651-3	TORSION SPRING 8	EA	1
147	257848-3	RING 8	EA	1
148	253215-0	FLAT WASHER 8	EA	1
149	911118-1	PAN HEAD SCREW M4X12	EA	2
150	412934-9	ARM COVER	EA	1
151	252130-5	HEX. LOCK NUT M10-17	EA	1
152	253024-7	FLAT WASHER 10	EA	2
153	216413-7	THRUST NEEDLE CAGE 1024	EA	1
154	140W82-9	ARM COMPLETE	EA	1
155	253215-0	FLAT WASHER 8	EA	1
156	961013-5	STOP RING E-7	EA	1
158	412944-6	DUST GUIDE HOLDER	EA	1
159	911128-8	PAN HEAD SCREW M4X16	EA	4
160	422648-2	DUST GUIDE	EA	1
161	911118-1	PAN HEAD SCREW M4X12	EA	1
162	253400-5	FLAT WASHER 4	EA	1
163	347759-1	LOCK PLATE	EA	1
164	257849-1	SLEEVE 8	EA	1
165	253731-2	FLAT WASHER 8	EA	1
166	216415-3	THRUST NEEDLE GAUGE 821	EA	1
167	253731-2	FLAT WASHER 8	EA	1
168	162942-7	LOCK SHAFT COMPLETE	EA	1
169	911119-9	PAN HEAD SCREW M4X12	EA	6
170	412940-4	KERF BOARD	EA	2
171	265442-7	HEX.BOLT M8X40	EA	1
172	253731-2	FLAT WASHER 8	EA	1
173	216415-3	THRUST NEEDLE GAUGE 821	EA	1
174	253731-2	FLAT WASHER 8	EA	1
175	251582-7	HEX.SOCKET HEAD BOLT M6*25	EA	1
176	251582-7	HEX.SOCKET HEAD BOLT M6*25	EA	1
177	327704-2	STOPPER ROD	EA	1
178	234122-6	COMPRESSION SPRING 6	EA	1
179	271465-5	LEVER 24	EA	1
180	961018-5	STOP RING E-5	EA	1
181	140W81-1	TURN BASE COMPLETE	EA	1
181-1	8024U7-1	BEVEL SCALE LABEL	EA	1
182	911119-9	PAN HEAD SCREW M4X12	EA	1
183	459928-3	INDICATION PLATE	EA	1

모델명 : LS002G

도번	부품코드	품명	단위	소요량
184	327698-1	CENTER SHAFT	EA	1
185	231418-6	COMPRESSION SPRING 9	EA	1
186	253731-2	FLAT WASHER 8	EA	1
187	266432-3	ADJUST BOLT M8X27	EA	1
188	961062-2	STOP RING E-12	EA	1
189	271464-7	GRIP 46	EA	1
190	271463-9	GRIP 38	EA	1
194	327700-0	LOCK ROD 6	EA	1
195	313326-4	TURN STOPPER	EA	1
196	256186-0	PIN 5	EA	1
197	347601-6	STOPPER HOLDER	EA	1
198	911233-1	PAN HEAD SCREW M5X20	EA	2
199	312A46-3	PIN HOLDER	EA	1
200	911233-1	PAN HEAD SCREW M5X20	EA	2
201	412941-2	LEAD BLOCK	EA	1
202	911233-1	PAN HEAD SCREW M5X20	EA	2
203	256267-0	PIN 3	EA	1
204	327701-8	LOCK PIN 6	EA	1
205	412939-9	LEVER 38	EA	1
206	347760-6	LEVER PLATE	EA	1
207	266192-7	TAPPING SCREW 4X14	EA	1
208	911013-5	PAN HEAD SCREW M3X10	EA	2
209	233201-7	COMPRESSION SPRING 6	EA	1
210	941152-7	FLAT WASHER 6	EA	1
211	312A45-5	GEAR COVER	EA	1
212	911233-1	PAN HEAD SCREW M5X20	EA	2
213	140W85-3	UPPER FENCE L COMPLETE	EA	1
214	140W86-1	UPPER FENCE R COMPLETE	EA	1
215	266089-0	H.S.SET SCREW(FLAT POINT)M8X12	EA	2
216	922344-7	H.S.H.BOLT M6X25 WITH WG	EA	4
217	265701-9	SCREW M6X14	EA	2
218	312A38-2	GUIDE FENCE	EA	1
219	347758-3	SLIDE PLATE	EA	2
220	327706-8	BASE SUPPORTER	EA	1
221	265785-7	THUMB SCREW M5X10	EA	1
222	140W80-3	BASE COMPLETE	EA	1
223	266264-8	HEX. SOCKET HEAD SCREW M5X6	EA	1
224	327703-4	ROD 10	EA	2
225	312A42-1	SUB BASE L	EA	1
226	922211-6	HEX. SOCKET HEAD BOLT M5X12	EA	2
227	961013-5	STOP RING E-7	EA	1
228	265785-7	THUMB SCREW M5X10	EA	1
229	327703-4	ROD 10	EA	2
230	312A43-9	SUB BASE R	EA	1
231	922211-6	HEX. SOCKET HEAD BOLT M5X12	EA	2
232	961013-5	STOP RING E-7	EA	1
233	286044-6	CAP 13	EA	4
234	251546-1	PAN HEAD SCREW M5	EA	4
235	347756-7	MITER SCALE PLATE	EA	1
236	347757-5	MITER LOCK PLATE	EA	1
237	127692-1	DUST NOZZLE ASSEMBLY	EA	1
238	412945-4	HOSE CONNECTOR	EA	1
239	245062-3	HOSE 20-0.4	EA	1
240	458939-5	BUTTON A	EA	1
241	232485-4	COMPRESSION SPRING 5	EA	1
242	412946-2	HOSE JOINT	EA	1

모델명 : LS002G

도번	부품코드	품명	단위	소요량
A01	127693-9	WISE ASSEMBLY	EA	1
A02	127512-9	DUST BAG ASSEMBLY	EA	1
A03	762001-3	TRIANGULAR RULE	EA	1
A05	783022-2	HEX. WRENCH 5	EA	1
A06	E-07010	T.C.T. Saw Blade EFFICUT 216mm x 25.4mm x 45T	EA	1