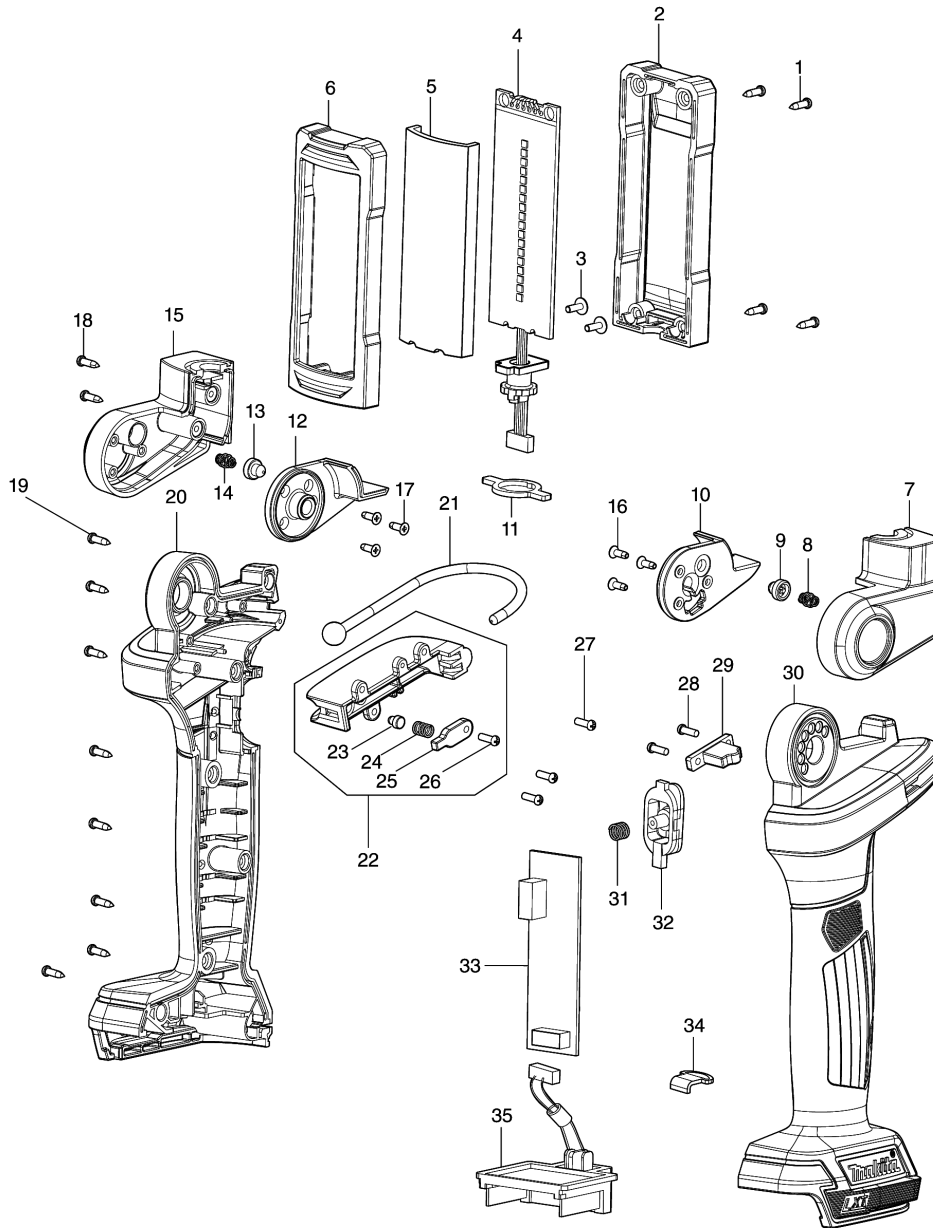


Model No.DML816 CORDLESS FLASHLIGHT



모델명 : DML816

도번	부품코드	부품명	단위	소요량
001	GM00001269	스크류 3X12PB(B0130120202)	EA	4
002	GM00002324	REAR CASE	EA	1
003	GM00001267	스크류 2.6X8PWB(B0126080006)	EA	2
004	GM00002349	LED ASSY	EA	1
005	GM00002322	LENS	EA	1
006	GM00002321	FRONT CASE	EA	1
007	GM00002325	LEFT ROTATOR	EA	1
008	GM00001270	스프링 (B1214801020)	EA	1
009	GM00001279	SPRING LID (C1020801001)	EA	1
010	GM00002326	LEFT ROTATOR BRACKET	EA	1
011	GM00001282	FIX PLATE (C3020801001)	EA	1
012	GM00002327	RIGHT ROTATOR BRACKET	EA	1
013	GM00001279	SPRING LID (C1020801001)	EA	1
014	GM00001270	스프링 (B1214801020)	EA	1
015	GM00002328	RIGHT ROTATOR	EA	1
016	GM00001268	스크류 2.6X10KA(B0126100121)	EA	3
017	GM00001268	스크류 2.6X10KA(B0126100121)	EA	3
018	GM00001269	스크류 3X12PB(B0130120202)	EA	2
019	GM00001269	스크류 3X12PB(B0130120202)	EA	8
020	GM00002336	HOUSING ASSY	EA	1
021	GM00002331	HANGING HOOK ASSY	EA	1
022	GM00002330	HOOK COVER ASSY	EA	1
023	GM00002339	LOCKING SHAFT	EA	1
024	GM00002340	SPRING	EA	1
025	GM00002341	COVER	EA	1
026	GM00001322	스크류 2.6X8 PB	EA	1
027	GM00001322	스크류 2.6X8 PB	EA	3
028	GM00001322	스크류 2.6X8 PB	EA	2
029	GM00002332	HOOK SUPPORT	EA	1
030	GM00002336	HOUSING ASSY	EA	1
031	GM00002249	스위치 SPRING	EA	1
032	GM00002333	SWITCH ASSY	EA	1
033	GM00002337	MAIN PCBA ASSY	EA	1
034	GM00002231	STRAP HOOK	EA	1
035	GM00002338	TERMINAL ASSY	EA	1
A01	GM00001288	SHOULDER HOOK SET	EA	1
A02	GM00001326	LAMP SHADE	EA	1