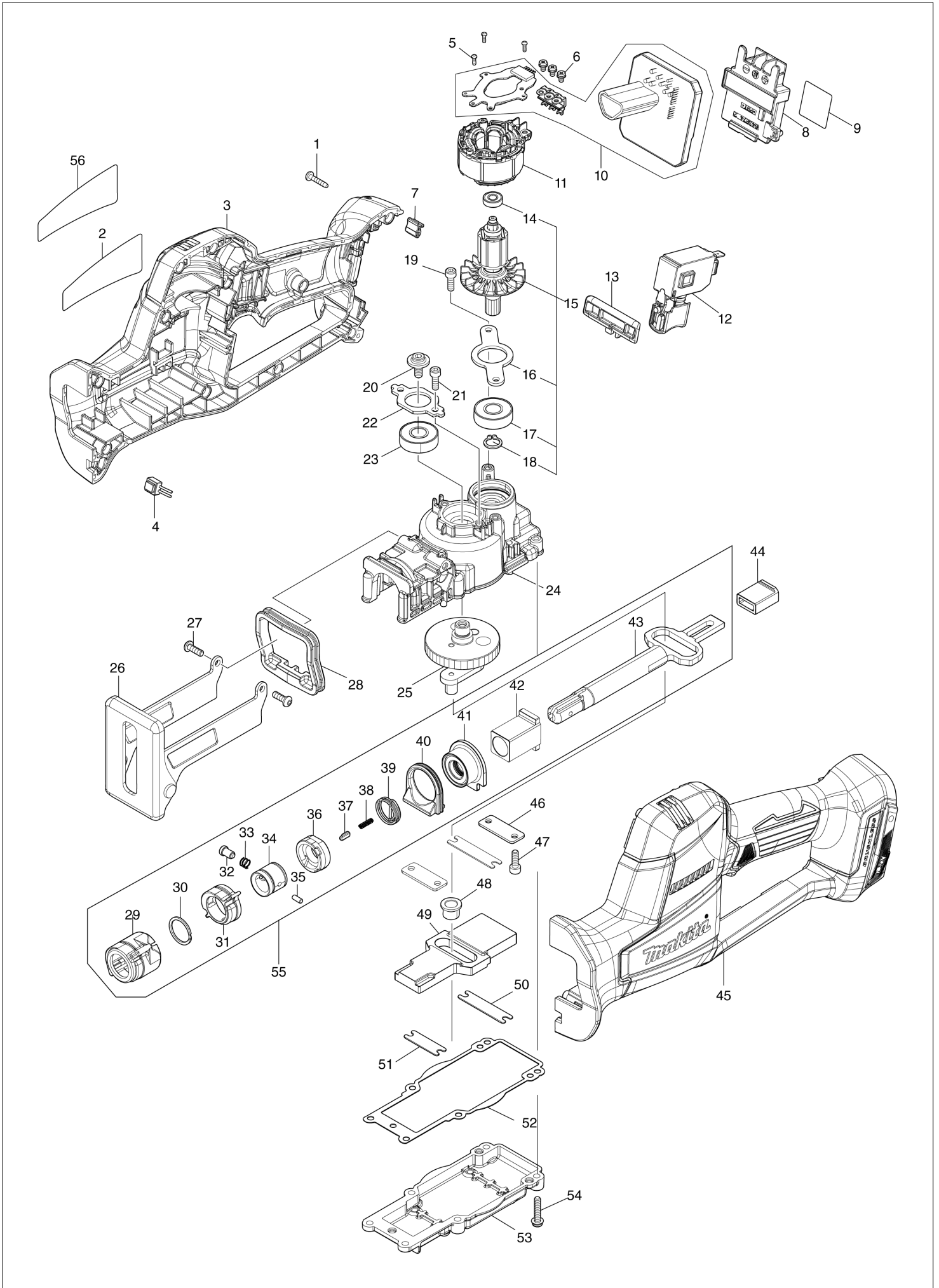


(KR) DJR189 / CORDLESS RECIPRO SAW



모델명 : DJR189

도번	부품코드	품명	단위	소요량
001	266130-9	태핑 스크류 바인드 3X16	EA	11
002	858X57-7	DJR189 NAME PLATE	EA	1
003	183W50-9	HOUSING SET	EA	1
003-1	263005-3	고무 핀 6	EA	4
003-2	252126-6	HEX. LOCKING NUT M4-7	EA	2
004	620K03-0	LED CIRCUIT	EA	1
005	266490-9	태핑 스크류 PT 2X6	EA	3
006	652069-6	FLAT HEAD SCREW M3X6	EA	3
007	424517-3	쿠션	EA	1
008	643874-2	터미널	EA	1
009	858X65-8	DJR189 SERIAL NO. LABEL	EA	1
010	620K04-8	콘트롤러	EA	1
011	629B65-1	STATOR	EA	1
012	650710-5	스위치 C3JW-4B	EA	1
013	413L03-1	LOCK OFF BUTTON	EA	1
014	210039-7	볼베어링 695DDW	EA	1
015	519770-5	ROTOR ASSY	EA	1
016	285054-0	BEARING RETAINER 58	EA	1
017	210059-1	BALL GEARING 6000DDW	EA	1
018	961006-2	리테이닝 링S-10	EA	1
019	265353-6	HEX SOCKET HEAD BOLT M4X12	EA	2
020	265C93-4	HEX. S.F.H. BOLT M5X12	EA	1
021	265353-6	HEX SOCKET HEAD BOLT M4X12	EA	2
022	285055-8	BEARING RETAINER 33	EA	1
023	210059-1	BALL GEARING 6000DDW	EA	1
024	136824-9	GEAR HOUSING ASSY	EA	1
024-1	263002-9	고무 핀 4	EA	2
024-2	213434-0	O RING 26	EA	1
25	141L92-3	GEAR COMPLETE	EA	1
26	162B95-4	SHOE	EA	1
27	265C84-5	HEX. SOCKET BUTTON BOLT M4X12	EA	2
28	422950-3	SEAL RING	EA	1
29	422949-8	PROTECTOR	EA	1
30	257430-8	RETAINING RING (EXT)18	EA	1
31	313448-0	DRIVING SLEEVE	EA	1
32	256569-4	SHOULDER PIN 5	EA	1
33	234381-2	압력스프링 6	EA	1
34	327650-9	가이드 슬리브	EA	1
35	256A11-1	PIN 3	EA	1
36	458968-8	커넥팅 슬리브	EA	1
37	310912-2	PUSH PIN	EA	1
38	232472-3	압력스프링 2	EA	1
39	233594-2	TOPSION SPRING 17	EA	1
40	422951-1	RUBBER RING	EA	1
41	141L93-1	SEAL HOLDER COMPLETE	EA	1
42	214215-5	PLANE BEARING 14	EA	1
43	162B76-8	SLIDER	EA	1
44	313450-3	SLIDER GUIDE	EA	1
45	183W50-9	HOUSING SET	EA	1

모델명 : DJR189

도번	부품코드	품명	단위	소요량
045-1	263005-3	고무 핀 6	EA	4
045-2	252126-6	HEX. LOCKING NUT M4-7	EA	2
46	347A47-2	PLATE A	EA	2
47	265353-6	HEX SOCKET HEAD BOLT M4X12	EA	4
48	327A55-9	COLLARED SLEEVE 8	EA	1
49	313446-4	COUNTER WEIGHT	EA	1
50	347A49-8	PLATE R	EA	2
51	347A48-0	PLATE F	EA	1
52	422952-9	GASKET	EA	1
53	312D37-2	GEAR HOUSING COVER	EA	1
54	911138-5	팬 헤드 스크류 M4X20	EA	6
55	136867-1	SLIDER ASSY	EA	1
56	8058N1-7	CLEAR LABEL	EA	1
A01	B-05038	컷소날 for Metal 152mm x 18mm x 0.9mm (7-18TPI)	EA	1
A02	B-05044	컷소날 for Wood/Metal 152mm x 18mm x 0.9mm (6-11TPI)	EA	1
A03	B-05153	컷소날 for Wood 203mm x 18mm x 1.0mm (6-10TPI)	EA	1