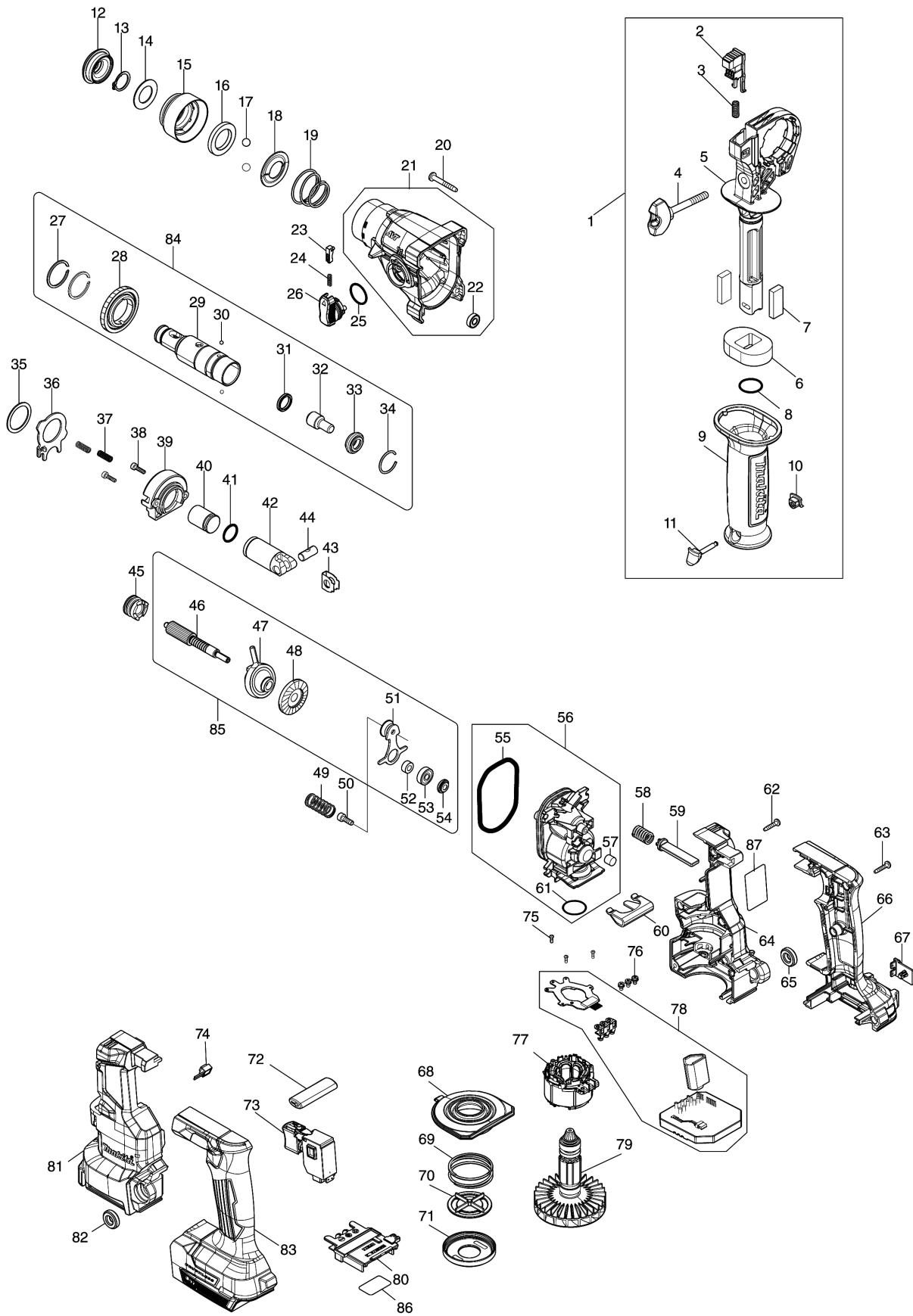


Model No.DHR183 18MM CORDLESS ROTARY HAMMER



모델명 : DHR183

도번	부품코드	품명	단위	소요량
001	122D63-1	GRIP ASSEMBLY	EA	1
002	413N19-8	LOCK BUTTON	EA	1
003	233360-7	압력스프링 4	EA	1
004	265625-9	THUMB SCREW M6X50	EA	1
005	413N18-0	SIDE HANDLE BASE	EA	1
006	422A19-9	SPONGE SHEET A	EA	1
007	422A20-4	SPONGE SHEET B	EA	2
008	213262-3	O RING 18	EA	1
009	413N20-3	GRIP 36	EA	1
010	422255-1	캡	EA	1
011	162C55-2	FIX PIN	EA	1
012	286037-3	캡 34	EA	1
013	961057-5	리테이닝 링S-17	EA	1
014	253377-4	플랫 와샤 17	EA	1
015	457214-6	척 커버	EA	1
016	257416-2	링21	EA	1
017	216022-2	스틸 볼 7.0	EA	2
018	346177-0	가이드 와샤	EA	1
019	232347-6	CONICALCOMPRESSION SPRING	EA	1
020	266050-7	TAPPING SCREW.FLANGE.PT.4X30	EA	4
021	136955-4	GEAR HOUSING ASSY	EA	1
022	211157-4	볼베어링 695ZZ	EA	1
023	161568-2	락 버튼 컴플리트	EA	1
024	232344-2	압력스프링 3	EA	1
025	213278-8	O RING 17	EA	1
026	161569-0	체인지 레버 컴플리트	EA	1
027	961135-1	RETAINING(EXT) WR-25	EA	2
028	227A13-4	SPUR GEAR 42	EA	1
29	327B25-4	TOOL HOLDER	EA	1
30	216019-1	스틸 볼 3	EA	2
31	213183-9	X-링 13	EA	1
32	326843-5	임팩트 볼트	EA	1
33	326842-7	링10	EA	1
34	232343-4	RING SPRING 23	EA	1
35	267175-0	플랫 와샤 24	EA	1
36	347B03-8	CHANGE PLATE	EA	1
37	232802-8	COMPRESSION SPRING 4	EA	2
38	265910-0	HEX. SOCKET HEAD BOLT M3X12	EA	2
39	141N19-5	INNER SUPPORT COMPLETE	EA	1
40	327007-4	스트라이커	EA	1
41	213128-7	O RING 12	EA	1
42	319510-9	피스톤 실린더	EA	1
43	347B05-4	GUIDE PLATE	EA	1
44	326846-9	피스톤 조인트	EA	1
45	327B24-6	CLUTCH CAM	EA	1
46	227A12-6	SPUR GEAR 9	EA	1
47	219033-6	SWASH BEARING 8	EA	1
48	227A14-2	SPIRAL BEVEL GEAR 29	EA	1
49	232801-0	COMPRESSION SPRING 10	EA	1
50	265353-6	HEX SOCKET HEAD BOLT M4X12	EA	1

모델명 : DHR183

도번	부품코드	품명	단위	소요량
51	141N20-0	BEARING RETAINER COMPLETE	EA	1
52	257890-4	RING 5	EA	1
53	210065-6	볼베어링 625ZZ	EA	1
54	326847-7	링5	EA	1
55	213A29-5	O RING 55	EA	1
56	136961-9	INNER HOUSING ASSY	EA	1
57	443153-6	펠트	EA	1
58	232782-8	COMPRESSION SPRING 8	EA	1
59	413N16-4	PUSHER	EA	1
60	347A85-4	BEARING RETAINER	EA	1
61	213325-5	O RING 19	EA	1
62	266130-9	태핑 스크류 바인드 3X16	EA	5
63	266130-9	태핑 스크류 바인드 3X16	EA	6
64	183X92-9	HOUSING SET	EA	1
65	422A09-2	CUSHION RING 8	EA	1
66	183X68-6	HANDLE SET	EA	1
67	422A08-4	CAP	EA	1
68	413N60-1	AIR DUCT	EA	1
69	232796-7	COMPRESSION SPRING 37	EA	1
70	413N14-8	VALVE	EA	1
71	413N15-6	CAP	EA	1
72	454980-6	정/역 변환 레버	EA	1
73	650689-0	스위치 C3JW-2B	EA	1
74	620K85-2	LED CIRCUIT	EA	1
75	266490-9	태핑 스크류 PT 2X6	EA	3
76	652069-6	FLAT HEAD SCREW M3X6	EA	3
77	629C18-6	STATOR	EA	1
78	620L24-8	CONTROLLER	EA	1
79	619816-8	ROTOR	EA	1
80	643874-2	터미널	EA	1
81	183X92-9	HOUSING SET	EA	1
82	422A09-2	CUSHION RING 8	EA	1
83	183X68-6	HANDLE SET	EA	1
84	136959-6	TOOL HOLDER ASSY	EA	1
85	136960-1	SPUR GEAR 9 ASSY	EA	1
86	8588S0-3	DHR183 SERIAL NO. LABEL	EA	1
87	8588R3-0	DHR183 NAME PLATE	EA	1
A01	413N42-3	DEPTH GAUGE	EA	1
B01	198564-7	HAMMER SERVICE KIT	EA	1
103	210187-2	볼베어링 696ZZ	EA	4
104	251337-0	PAN HEAD SCREW M5	EA	2
107	162B33-6	HOOK	EA	1
108	911138-5	팬 헤드 스크류 M4X20	EA	1
109	267164-5	플랫 와샤 15	EA	1
111	141G78-7	WHEEL COMPLETE A	EA	1
114	256689-4	핀 4	EA	1
115	413D71-6	FRONT WHEEL COVER	EA	1
116	911223-4	팬 헤드 스크류 M5X12	EA	2
117	122B60-5	HOOK ASSEMBLY	EA	1
A02	783202-0	육각.렌치 4	EA	1
A08	B-30128	BAND SAW BLADE 10TPI BIM	EA	1