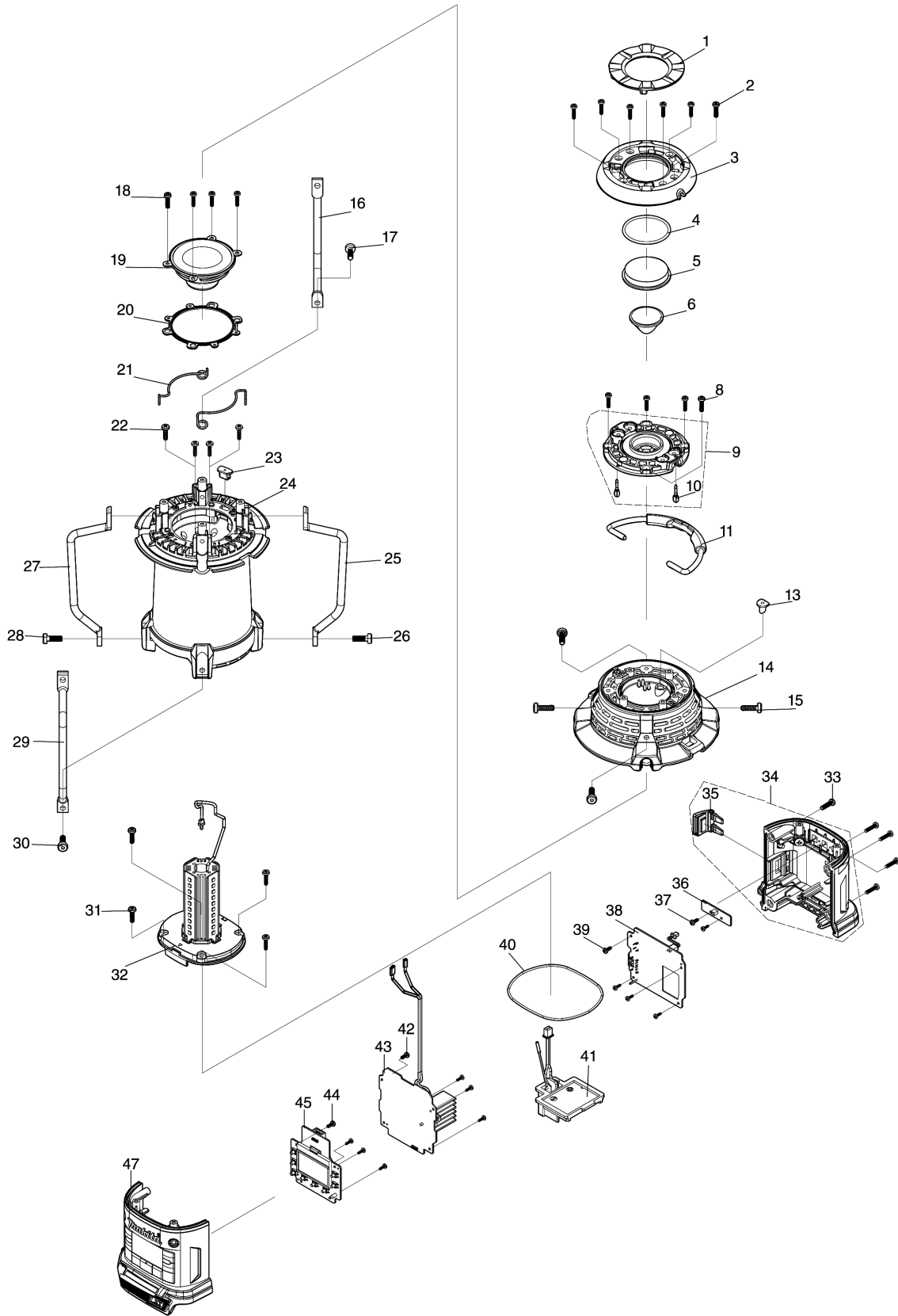


# Model No.DMR057 CORDLESS RADIO WITH LANTERN



**모델명 : DMR057**

도번	부품코드	품명	단위	소요량
001	SE00001125	TOP PANEL	EA	1
002	SE00001127	TAPPING SCREW 3X12(ZK)	EA	6
003	SE00001128	TOP COVER	EA	1
004	SE00001129	O RING D37.8 W2	EA	1
005	SE00001130	FLASH LIGHT LENS	EA	1
006	SE00001131	LED LENS	EA	1
008	SE00001127	TAPPING SCREW 3X12(ZK)	EA	4
009	SE00001134	LED HOLDER+PCB F ASSY (MR054)	EA	1
010	SE00001136	RUBBER PAD A	EA	2
011	SE00001137	HANDLE	EA	1
013	SE00001138	WATERPROOF PLUG A	EA	1
014	SE00001139	TOP CABINET ASSY	EA	1
015	SE00001140	HEX SOCKET HEAD BOLT M4X16	EA	4
016	SE00001141	FIXER BAR	EA	1
017	SE00001216	HEX SOCKET HEAD BOLT M4X13	EA	1
018	SE00001127	TAPPING SCREW 3X12(ZK)	EA	4
019	SE00001144	SPEAKER	EA	1
020	SE00001146	PACKING	EA	1
021	SE00001147	ANT WIRE	EA	2
022	SE00001148	SCREW STB 3X12(MC)	EA	4
023	SE00001149	WATERPROOF PLUG B	EA	1
024	SE00001150	LAMP COVER ASSY	EA	1
025	SE00001141	FIXER BAR	EA	1
026	SE00001216	HEX SOCKET HEAD BOLT M4X13	EA	1
027	SE00001141	FIXER BAR	EA	1
028	SE00001216	HEX SOCKET HEAD BOLT M4X13	EA	1
029	SE00001141	FIXER BAR	EA	1
030	SE00001216	HEX SOCKET HEAD BOLT M4X13	EA	1
31	SE00001218	HEX SOCKET HEAD BOLT 3X12	EA	4
32	SE00001152	PCB D+E LIGHT CTRL ASSY	EA	1
33	SE00001127	TAPPING SCREW 3X12(ZK)	EA	5
34	SE00001224	REAR BOTTOM CABINET ASSY	EA	1
35	SE00001158	USB RUBBER COVER	EA	1
36	SE00001159	PCB K ASSY	EA	1
37	SE00001160	TAPPING SCREW 2X6	EA	2
38	SE00001226	PCB H ASSY (USB JACK)	EA	1
39	SE00001160	TAPPING SCREW 2X6	EA	4
40	SE00001163	BOTTOM CABINET PACKING D1.5xL2	EA	1
41	SE00001165	LXT TERMINAL(18V) ASSY	EA	1
42	SE00001160	TAPPING SCREW 2X6	EA	4
43	SE00001228	PCB A ASSY	EA	1
44	SE00001160	TAPPING SCREW 2X6	EA	4
45	SE00001232	PCB C ASSY(CE)	EA	1
47	SE00001237	FRONT BOTTOM CABINET ASSY	EA	1
A01	SE00001178	STRAP WITH HOOK	EA	1