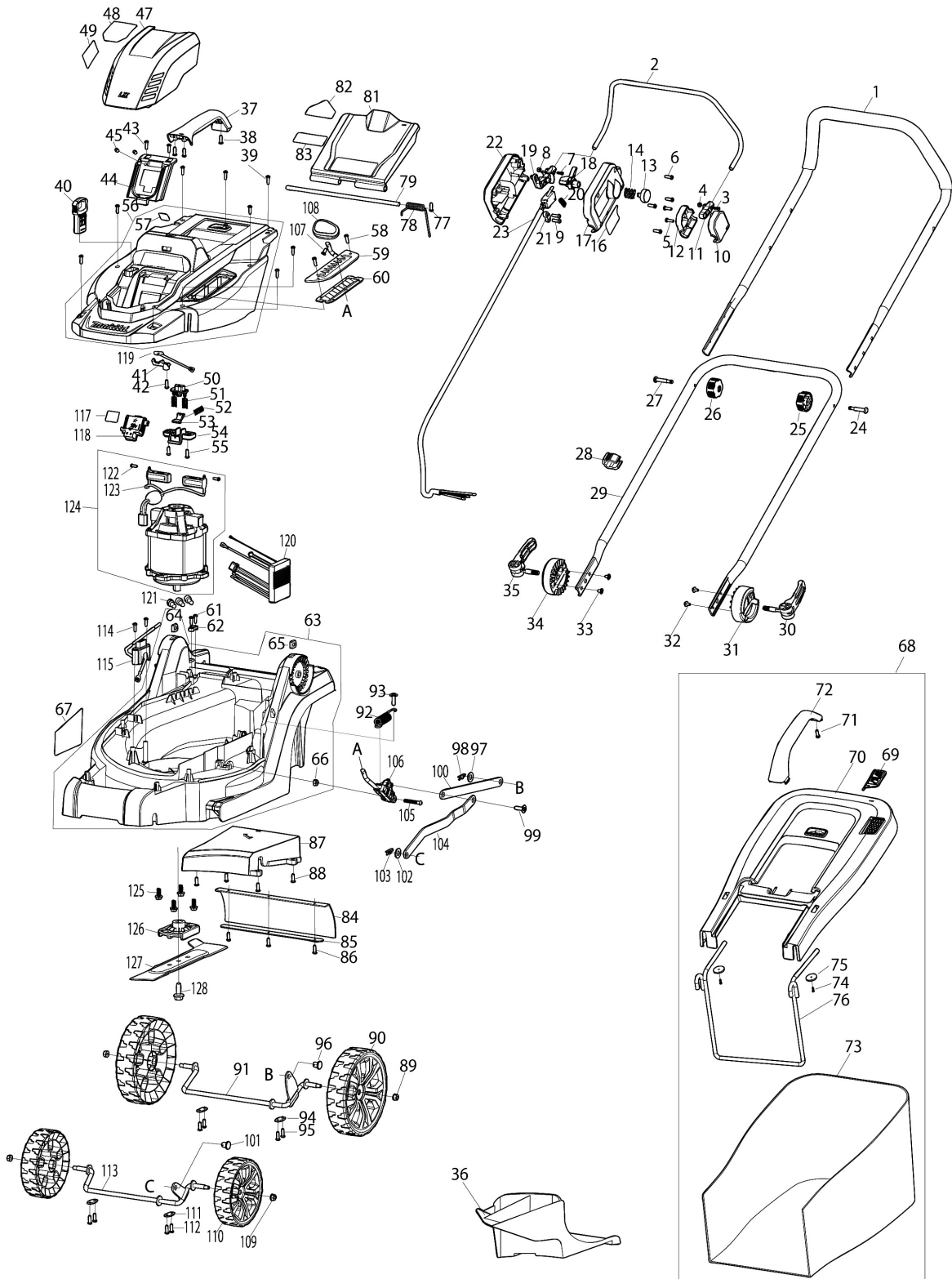


Model No.DLM330 330MM CORDLESS LAWN MOWER



**모델명 : DLM330**

도번	부품코드	품명	단위	소요량
001	GB00000136	UPPER HANDLE	EA	1
002	GB00000044	SWITCH LEVER	EA	1
003	GB00000045	PAN HEAD SCREW M4X18	EA	1
004	GB00000046	HEX LOCK NUT M4	EA	1
005	GB00000003	테핑 스크류 ST4.2X15	EA	2
006	GB00000003	테핑 스크류 ST4.2X15	EA	4
007	GB00000045	PAN HEAD SCREW M4X18	EA	1
008	GB00000046	HEX LOCK NUT M4	EA	1
009	GB00000003	테핑 스크류 ST4.2X15	EA	2
010	GB00000047	SWITCH LEVER HINGE BOX L	EA	1
011	GB00000048	SWITCH LEVER END CAP L	EA	1
012	GB00000049	SWITCH LEVER HINGE BOX R	EA	1
013	GB00000050	SWITCH LINK BUTTON	EA	1
014	GB00000051	COMPRESSION SPRING	EA	1
016	GB00000153	SWITCH OPERATION LABEL	EA	1
017	GB00000053	SWITCH BOX COVER L	EA	1
018	GB00000054	SWITCH CONTROL LINK	EA	1
019	GB00000055	SWITCH LEVER END CAP R	EA	1
020	GB00000056	TENSION SPRING	EA	1
021	GB00000057	CORD CLAMP	EA	1
022	GB00000058	SWITCH BOX COVER R	EA	1
023	GB00000138	SWITCH&CORD ASSY	EA	1
024	GB00000060	SQUARE NECK BOLT M6X42	EA	1
025	GB00000061	KNOB NUT M6	EA	1
026	GB00000061	KNOB NUT M6	EA	1
027	GB00000060	SQUARE NECK BOLT M6X42	EA	1
028	GB00000062	CORD CLIP	EA	1
029	GB00000063	LOWER HANDLE	EA	1
30	GB00000064	TENSION LEVER ASSY	EA	1
31	GB00000065	HANDLE FIX BLOCK	EA	1
32	GB00000066	TRAS HEAD TAPPING SCREW 4X8	EA	2
33	GB00000066	TRAS HEAD TAPPING SCREW 4X8	EA	2
34	GB00000065	HANDLE FIX BLOCK	EA	1
35	GB00000064	TENSION LEVER ASSY	EA	1
36	GB00000067	MULCHING PLUG	EA	1
37	GB00000068	CARRYNG HANDLE	EA	1
38	GB00000003	테핑 스크류 ST4.2X15	EA	3
39	GB00000003	테핑 스크류 ST4.2X15	EA	8
40	GB00000069	KEY	EA	1
41	GB00000070	INDICATOR UNIT MOUNT	EA	1
42	GB00000003	테핑 스크류 ST4.2X15	EA	1
43	GB00000158	FLANGED TAPPING SCREW ST4.2X15	EA	2
44	GB00000071	BATTERY HOLDER	EA	1
45	GB00000072	RUBBER PIN 5.5X8.5	EA	2
47	GB00000074	BATTERY HOOD	EA	1
48	GB00000140	330MM LABEL	EA	1
50	GB00000077	BATTERY HOOD LOCK BUTTON	EA	1
51	GB00000078	COMPRESSION SPRING	EA	2
52	GB00000078	COMPRESSION SPRING	EA	1
53	GB00000079	BATTERY HOOD RATCHI	EA	1
54	GB00000080	BATTERY HOOD RATCHI FIX PLATE	EA	1

**모델명 : DLM330**

도번	부품코드	품명	단위	소요량
55	GB00000003	테핑 스크류 ST4.2X15	EA	2
56	GB00000081	UPPER HOUSING ASSEMBLY	EA	1
57	GB00000082	BATTERY INDICATOR LABEL	EA	1
58	GB00000083	TAPPING SCREW ST4.2X15 SILVER	EA	2
59	GB00000084	HEIGHT ADJUST GUIDE PLATE	EA	1
60	GB00000085	RUBBER SHEET FOR GUIDE PLATE	EA	1
61	GB00000003	테핑 스크류 ST4.2X15	EA	2
62	GB00000057	CORD CLAMP	EA	1
63	GB00000086	DECK ASSEMBLY	EA	1
64	GB00000087	SQUARE NUT M8	EA	1
65	GB00000087	SQUARE NUT M8	EA	1
66	GB00000088	HEX LOCK NUT M6	EA	1
67	GB00000141	NAMEPLATE DLM330	EA	1
68	GB00000151	GRASS CATCHER ASSY	EA	1
69	GB00000090	GRASS LEVEL INDICATOR PLATE	EA	1
70	GB00000091	GRASS CATCHER UPPER PLATE	EA	1
71	GB00000003	테핑 스크류 ST4.2X15	EA	1
72	GB00000092	GRASS CATCHER GRIP	EA	1
73	GB00000142	GRASS CATCHER LOWER PLATE ASSY	EA	1
74	GB00000003	테핑 스크류 ST4.2X15	EA	2
75	GB00000094	FLAT WASHER 4.5X20X1.4	EA	2
76	GB00000095	GRASS CATCHER FLAME	EA	1
77	GB00000003	테핑 스크류 ST4.2X15	EA	1
78	GB00000096	REAR FLAP TORSION SPRING	EA	1
79	GB00000097	REAR FLAP HINGE ROD	EA	1
81	GB00000099	REAR FLAP	EA	1
83	GB00000144	WARNING SOUND LABEL	EA	1
87	GB00000104	GRASS OUTLET LOWER PLATE	EA	1
88	GB00000003	테핑 스크류 ST4.2X15	EA	4
89	GB00000105	HEX FLANGED+F130 LOCK NUT M6	EA	2
90	GB00000106	WHEEL 180MM	EA	2
91	GB00000107	REAR AXLE	EA	1
92	GB00000108	HEIGHT ADJUST TENSION SPRING	EA	1
93	GB00000109	TRUSS HEAD TAPPING SCREW 5X18	EA	1
94	GB00000110	AXLE FIX PLATE	EA	2
95	GB00000003	테핑 스크류 ST4.2X15	EA	4
96	GB00000111	STEPPED PIN 10-12	EA	1
97	GB00000112	FLAT WASHER 10	EA	1
98	GB00000159	R-PIN 10	EA	1
99	GB00000109	TRUSS HEAD TAPPING SCREW 5X18	EA	1
100	GB00000114	HEIGHT ADJUST LINK ROD REAR	EA	1
101	GB00000111	STEPPED PIN 10-12	EA	1
102	GB00000112	FLAT WASHER 10	EA	1
103	GB00000159	R-PIN 10	EA	1
104	GB00000115	HEIGHT ADJUST LINK ROD FRONT	EA	1
105	GB00000116	PAN HEAD SCREW 6X30	EA	1
106	GB00000117	HEIGHT ADJUST LEVER ASSY	EA	1
107	GB00000118	FLAT HEAD SCREW M4X10	EA	1
108	GB00000119	GRIP FOR HEIGHT ADJUSTMENT	EA	1
109	GB00000105	HEX FLANGED+F130 LOCK NUT M6	EA	2
110	GB00000120	WHEEL 138MM	EA	2
111	GB00000110	AXLE FIX PLATE	EA	2
112	GB00000003	테핑 스크류 ST4.2X15	EA	4
113	GB00000121	FRONT AXLE	EA	1
114	GB00000003	테핑 스크류 ST4.2X15	EA	2
115	GB00000122	KEY SOCKET	EA	1

**모델명 : DLM330**

도번	부품코드	품명	단위	소요량
117	GB00000145	SERIAL NO. LABEL DLM330	EA	1
118	GB00000124	TERMINAL	EA	1
119	GB00000125	INDICATOR UNIT	EA	1
120	GB00000126	CONTROLLER	EA	1
121	GB00000127	CLOSED END SPLICE 5.5-SD	EA	3
122	GB00000128	TAPPING SCREW ST3.0X8	EA	2
123	GB00000147	CARBON BRUSH ASSY WITH COIL	EA	1
124	GB00000148	MOTOR ASSY WITH CHOKE COIL	EA	1
125	GB00000131	HEX FLANGED BOLT M8X18 W/BOND	EA	4
126	GB00000132	BLADE SUPPORT	EA	1
127	GB00000042	BLADE 330	EA	1
128	GB00000133	BLADE HEX BOLT M8X28 WITH WR	EA	1
A01	GB00000134	WRENCH 13	EA	1