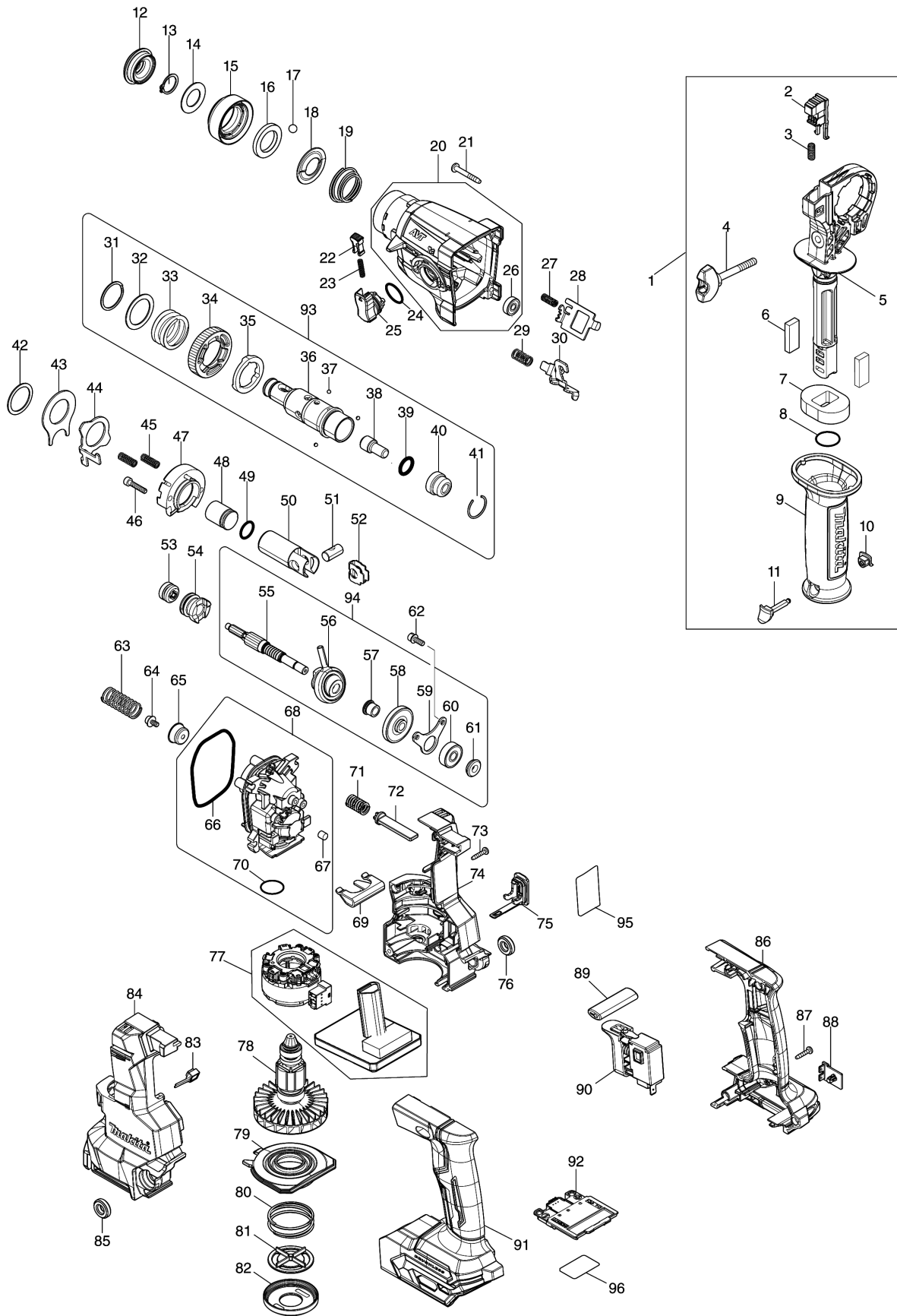


Model No.HR010G 20MM CRDLS COMBINATION HAMMER



모델명 : HR010G

도번	부품코드	품명	단위	소요량
001	122D63-1	GRIP ASSEMBLY	EA	1
002	413N19-8	LOCK BUTTON	EA	1
003	233360-7	압력스프링 4	EA	1
004	265625-9	THUMB SCREW M6X50	EA	1
005	413N18-0	SIDE HANDLE BASE	EA	1
006	422A20-4	SPONGE SHEET B	EA	2
007	422A19-9	SPONGE SHEET A	EA	1
008	213262-3	O RING 18	EA	1
009	413N20-3	GRIP 36	EA	1
010	422255-1	캡	EA	1
011	162C55-2	FIX PIN	EA	1
012	286037-3	캡 34	EA	1
013	961057-5	리테이닝 링S-17	EA	1
014	253377-4	플랫 와샤 17	EA	1
015	458845-4	척 커버	EA	1
016	257416-2	링21	EA	1
017	216022-2	스틸 볼 7.0	EA	2
018	346177-0	가이드 와샤	EA	1
019	232347-6	CONICALCOMPRESSION SPRING	EA	1
020	136975-8	GEAR HOUSING ASSY	EA	1
021	266050-7	TAPPING SCREW.FLANGE.PT.4X30	EA	4
022	458851-9	락 버튼	EA	1
023	234264-6	압력스프링3	EA	1
024	213278-8	O RING 17	EA	1
025	162C16-2	CHANGE LEVER COMPLETE	EA	1
026	210035-5	볼베어링 625DDW	EA	1
027	232805-2	COMPRESSION SPRING 4	EA	1
028	347A82-0	LOCK PLATE	EA	1
29	232795-9	COMPRESSION SPRING 8	EA	1
30	347A83-8	CHANGE PLATE B	EA	1
31	347555-7	SPIRAL RETAINING RING 25	EA	1
32	267304-5	플랫 와샤 25	EA	1
33	232360-4	압력스프링 25	EA	1
34	226854-9	SPUR GEAR 44	EA	1
35	327B07-6	DRIVING FLANGE	EA	1
36	326886-7	툴홀더	EA	1
37	216019-1	스틸 볼 3	EA	3
38	326887-5	임팩트 볼트	EA	1
39	213117-2	O RING 11	EA	1
40	327C61-6	CUP SLEEVE 9	EA	1
41	233942-5	RING SPRING 22	EA	1
42	267175-0	플랫 와샤 24	EA	1
43	345681-6	조인트 플레이트	EA	1
44	347A81-2	CHANGE PLATE A	EA	1
45	232794-1	COMPRESSION SPRING 6	EA	2
46	922137-2	헥스. 소켓 헤드 볼트 M4X20	EA	2
47	141M98-7	INNER SUPPORT COMPLETE	EA	1
48	327215-7	스트라이커	EA	1
49	213832-8	O RING 13	EA	1
50	327B06-8	PISTON CYLINDER	EA	1

모델명 : HR010G

도번	부품코드	품명	단위	소요량
51	324612-8	피스톤 조인트	EA	1
52	347A84-6	GUIDE PLATE	EA	1
53	227A97-2	SPUR GEAR 12	EA	1
54	327B05-0	CLUTCH CAM	EA	1
55	327B04-2	CAM SHAFT	EA	1
56	219032-8	SWASH BEARING 9	EA	1
57	257893-8	SLEEVE 7	EA	1
58	227A27-3	SPIRAL BEVEL GEAR 25	EA	1
59	347A79-9	BEARING RETAINER B	EA	1
60	210025-8	볼베어링 627LLB	EA	1
61	257897-0	RING 7	EA	1
62	266273-7	HEX.SOCKET HEAD BOLT M4X12	EA	2
63	232793-3	COMPRESSION SPRING 12	EA	1
64	266831-9	HEX SOCKET HEAD BOLT M4X8	EA	1
65	347A80-4	SPRING GUIDE	EA	1
66	213833-6	O RING 60	EA	1
67	443138-2	필터	EA	1
68	136976-6	INNER HOUSING ASSY	EA	1
69	347A85-4	BEARING RETAINER	EA	1
70	213325-5	O RING 19	EA	1
71	232797-5	COMPRESSION SPRING 8	EA	1
72	413N16-4	PUSHER	EA	1
73	266130-9	태핑 스크류 바인드 3X16	EA	5
74	183Y25-0	HOUSING SET	EA	1
75	140G30-2	캡 컴플리트	EA	1
76	422A09-2	CUSHION RING 8	EA	1
77	629B82-1	STATOR COMPLETE	EA	1
78	619782-9	ROTOR	EA	1
078-1	213134-2	O-RING 11	EA	1
79	413N13-0	AIR DUCT	EA	1
80	232796-7	COMPRESSION SPRING 37	EA	1
81	413N14-8	VALVE	EA	1
82	413N15-6	CAP	EA	1
83	620K85-2	LED CIRCUIT	EA	1
84	183Y25-0	HOUSING SET	EA	1
85	422A09-2	CUSHION RING 8	EA	1
86	183Y92-5	HANDLE SET	EA	1
086-1	263005-3	고무 핀 6	EA	2
086-2	8007R2-2	XGT LOGO 라벨	EA	1
87	266130-9	태핑 스크류 바인드 3X16	EA	6
88	422A08-4	CAP	EA	1
89	454980-6	정/역 변환 레버	EA	1
90	651439-6	스위치 C3JR-4B-2	EA	1
91	183Y92-5	HANDLE SET	EA	1
091-1	263005-3	고무 핀 6	EA	2
091-2	8007R2-2	XGT LOGO 라벨	EA	1
92	632P65-6	TERMINAL UNIT	EA	1
93	136977-4	TOOL HOLDER ASSY	EA	1
94	136978-2	CAM SHAFT ASSY	EA	1
95	8589B0-0	HR010G NAME PLATE	EA	1
96	8589F2-4	HR010G SERIAL NO. LABEL	EA	1
A01	413N42-3	DEPTH GAUGE	EA	1
B01	1911K0-5	TOOL HANGER SET	EA	1
B02	1911P5-0	DUST CASE SET	PC	1
B03	1911P8-4	DUSTCUP SET FOR DHR183	EA	1