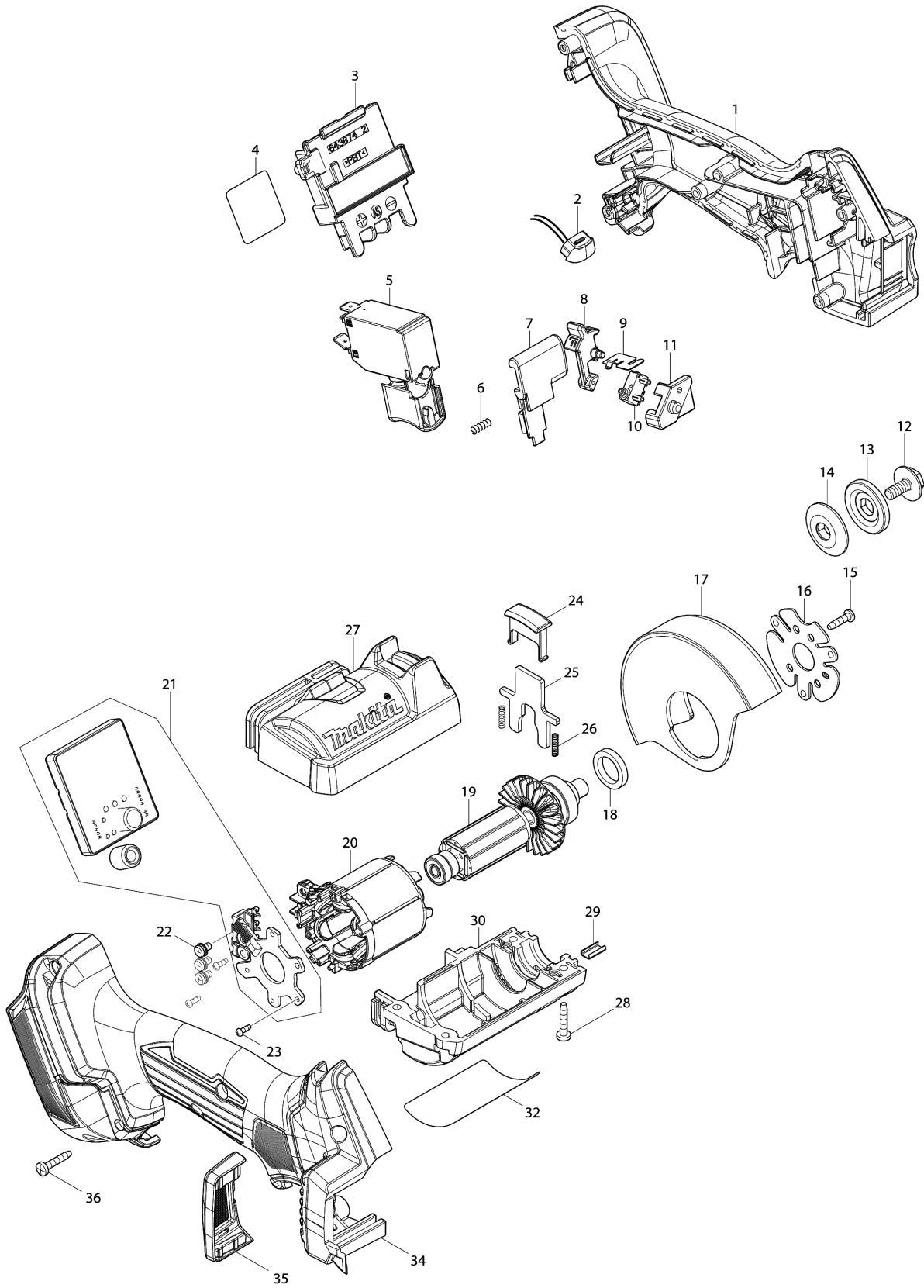


Model No.DMC300 76MM CORDLESS COMPACT CUT OFF



모델명 : DMC300

도번	부품코드	품명	단위	소요량
001	183V87-0	HANDLE SET	EA	1
002	620549-0	LED 서킷	EA	1
003	643874-2	터미널	EA	1
004	8119H1-1	DMC300 SERIAL NO. LABEL	EA	1
005	650027-6	SWITCH C3JW-4CM-R	EA	1
006	231433-0	압력스프링 4	EA	1
007	413F56-4	LOCK OFF BUTTON	EA	1
008	413F52-2	F/R CHANGE LEVER	EA	1
009	232747-0	LEAF SPRING	EA	1
010	632T84-6	SWITCH UNIT	EA	1
011	413F55-6	SWITCH BASE	EA	1
012	265C51-0	HEX.SOCKET HEX.BOLT M5X12	EA	1
013	224624-0	OUTER FLANGE 25	EA	1
014	224623-2	INNER FLANGE 25	EA	1
015	266556-5	태핑 스크류 3X12	EA	4
016	347979-7	PLATE A	EA	1
017	141K67-6	WHEEL COVER 76KCK COMPLETE	EA	1
018	422870-1	FELT RING 18	EA	1
019	619755-2	ROTOR	EA	1
020	629B23-7	STATOR DC18V	EA	1
021	620J17-3	CONTROLLER	EA	1
022	652069-6	FLAT HEAD SCREW M3X6	EA	3
023	266490-9	태핑 스크류 PT 2X6	EA	3
024	413F51-4	CAP	EA	1
025	347978-9	SHAFT LOCK	EA	1
026	232472-3	압력스프링 2	EA	2
027	183X33-5	MOTOR HOUSING SET	EA	1
028	266429-2	태핑 스크류 3X16	EA	4
029	347980-2	PLATE B	EA	1
030	183X33-5	MOTOR HOUSING SET	EA	1
032	8119G4-8	DMC300 NAME PLATE	EA	1
034	183V87-0	HANDLE SET	EA	1
035	422880-8	DUST COVER	EA	1
036	266429-2	태핑 스크류 3X16	EA	6
A01	122C54-6	DUST COLLECT COVER ATTACHMENT	EA	1
A01-1	265760-3	THUMB SCREW M5X10	EA	1
A01-2	267010-2	플랫 와샤 5	EA	1
A01-3	413F54-8	CLEAR COVER	EA	1
A01-4	265C71-4	TAPPING SCREW 3X6	EA	2
A02	D-77263	Diamond wheel for tile 76 x 10	EA	1
A03	D-74837	Tungsten Carbide Grit Blade	EA	1
A04	D-74815	CUTTING WHEEL/THIN THICKNESS	EA	1
A05	783202-0	육각 렌치 4	EA	1
B01	D-74815-5	Cut-off wheel Stainless Thin thickness 76x1.0x10mm WA60	EA	1