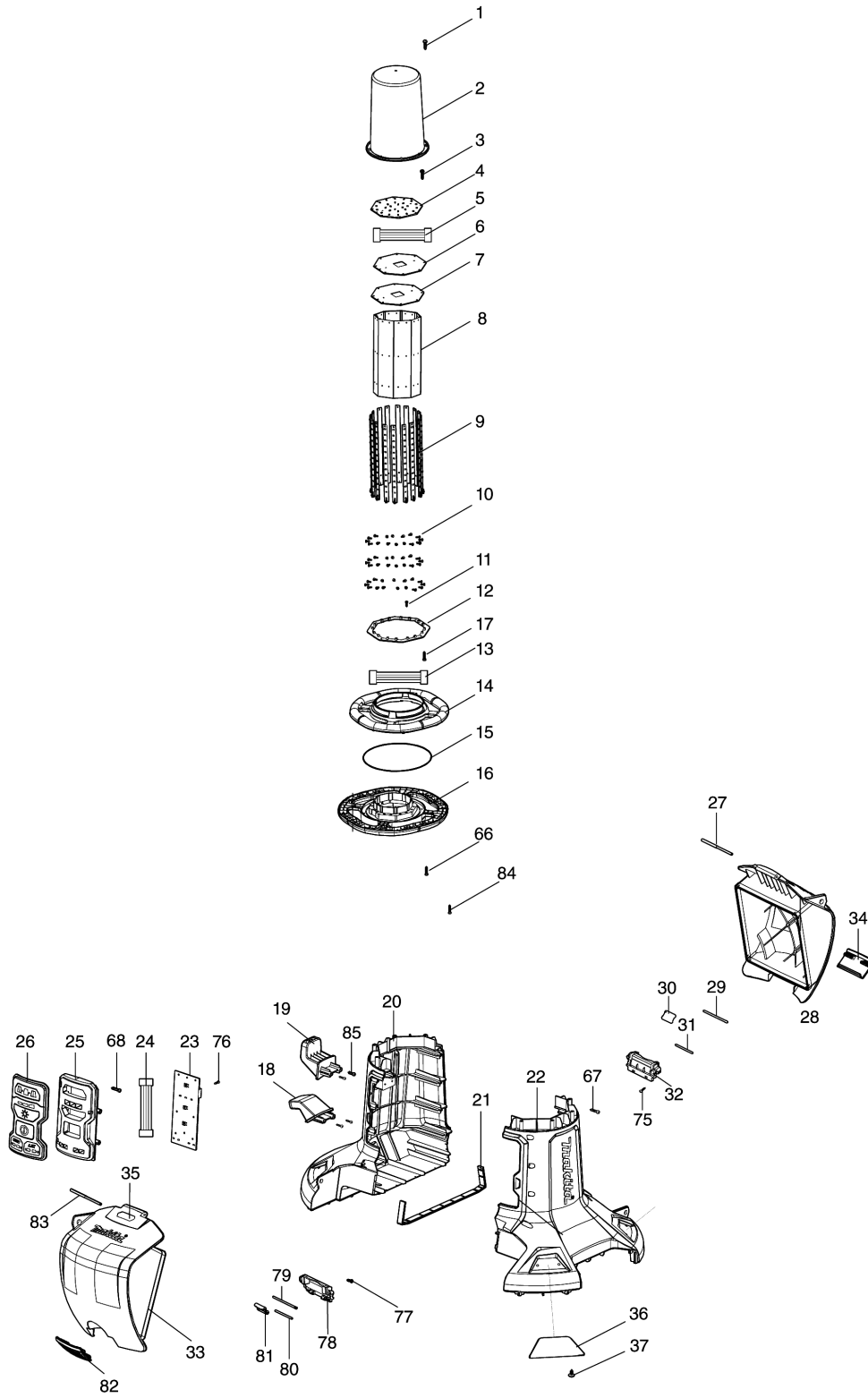
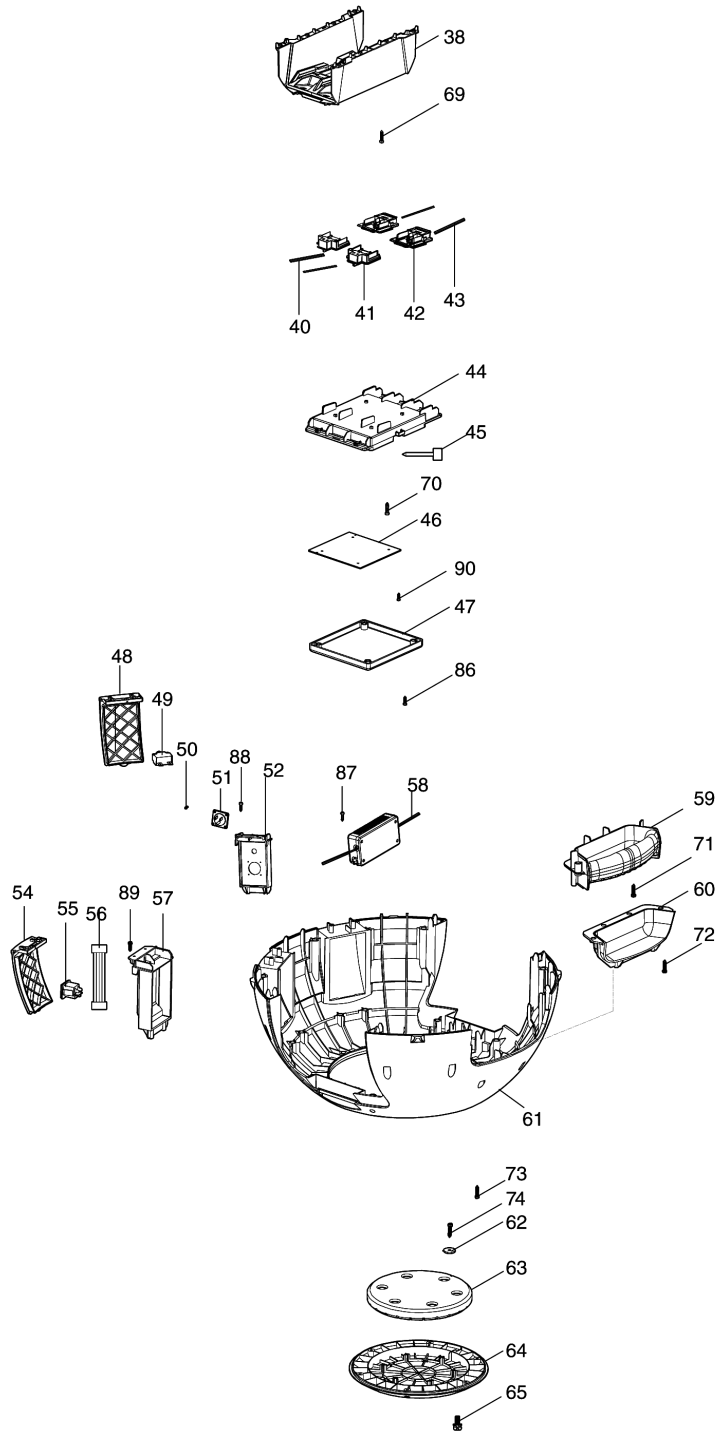


# Model No.ML010G CORDLESS AREA WORKLIGHT



# Model No.ML010G CORDLESS AREA WORKLIGHT



**모델명 : ML010G**

도번	부품코드	품명	단위	소요량
001	QY00000001	TAPPING SCREW 4X20	EA	8
002	QY00000002	LED COVER	EA	1
003	QY00000003	TAPPING SCREW 3.5X14	EA	8
004	QY00000102	LED PLATE	EA	1
005	QY00000005	WIRE UNIT 6X300	EA	1
006	QY00000006	INSULATION PLATE	EA	1
007	QY00000007	HEAT SINK PLATE COVER	EA	1
008	QY00000008	HEAT SINK PLATE	EA	1
009	QY00000103	LED PLATE LONG	EA	16
010	QY00000009	TAPPING SCREW 3X6	EA	48
011	QY00000011	TAPPING SCREW 3X12	EA	4
012	QY00000104	LED PCB CONNECTOR	EA	1
013	QY00000105	CABLE	EA	1
014	QY00000014	CIRCLE HANDLE UPPER	EA	1
015	QY00000015	O-RING	EA	1
016	QY00000016	CIRCLE HANDLE LOWER	EA	1
017	QY00000017	TAPPING SCREW 3.5X14	EA	8
018	QY00000106	CABLE HOOK UNDER	EA	1
019	QY00000107	CABLE HOOK UPPER	EA	1
020	QY00000108	CASE L	EA	1
021	QY00000109	SEALING	EA	1
022	QY00000110	CASE R	EA	1
023	QY00000111	SWITCH PCB BOARD	EA	1
024	QY00000112	LEAD UNIT	EA	1
025	QY00000113	SWITCH BASE	EA	1
026	QY00000114	SWITCH COVER	EA	1
027	QY00000115	PIN	EA	2
028	QY00000116	BATTERY COVE A	EA	1
029	QY00000030	PIN 2.5X73	EA	2
030	QY00000032	BATTERY COVER PLATE	EA	2
031	QY00000031	PIN 4X75	EA	2
032	QY00000117	BATTERY COVER BASE	EA	1
033	QY00000118	BATTERY COVER B	EA	1
034	QY00000029	LATCH	EA	2
035	8030S0-0	XGT LOGO LABEL	EA	1
036	QY00000027	REFLECTOR	EA	4
037	QY00000026	TAPPING SCREW 3X8	EA	8
038	QY00000119	BATTERY BOX LOWER	EA	1
040	QY00000121	LEAD UNIT (LXT)	EA	2
041	QY00000122	LXT BATTERY TERMINAL	EA	2
042	QY00000123	XGT BATTERY TERMINAL	EA	2
043	QY00000124	LEAD UNIT (XGT)	EA	2
044	QY00000125	TERMINAL SUPPORT	EA	1
045	QY00000126	CABLE TIES	EA	12
046	QY00000127	MAIN PCB BOARD	EA	1
047	QY00000128	PCB BOARD COVER	EA	1
048	QY00000129	AC INPUT SOCKET COVER	EA	1
049	QY00000056	HUSE SET	EA	1
050	QY00000036	TAPPING SCREW 3X12	EA	2

**모델명 : ML010G**

도번	부품코드	품명	단위	소요량
051	QY00000058	AC INPUT POWER CONNECTOR	EA	1
052	QY00000130	AC INPUT SOCKET CASE	EA	1
054	QY00000135	AC OUTPUT SOCKET COVER	EA	1
055	QY00000138	AC OUTPUT SOCKET K	EA	1
056	QY00000142	LEAD UNIT	EA	1
057	QY00000148	AC OUTPUT SOCKET CASE	EA	1
058	QY00000151	POWER UNIT	EA	1
059	QY00000152	SUB HADDLE	EA	1
060	QY00000153	HANDLE COVER	EA	1
061	QY00000154	BASE	EA	1
062	QY00000061	WASHER 5	EA	6
063	QY00000155	WEIGHT	EA	1
064	QY00000156	UNDER COVER	EA	1
065	QY00000157	PAN HEAD SCREW M5X16	EA	6
066	QY00000001	TAPPING SCREW 4X20	EA	8
067	QY00000001	TAPPING SCREW 4X20	EA	8
068	QY00000001	TAPPING SCREW 4X20	EA	3
069	QY00000001	TAPPING SCREW 4X20	EA	8
070	QY00000001	TAPPING SCREW 4X20	EA	4
071	QY00000001	TAPPING SCREW 4X20	EA	3
072	QY00000001	TAPPING SCREW 4X20	EA	4
073	QY00000001	TAPPING SCREW 4X20	EA	20
074	QY00000001	TAPPING SCREW 4X20	EA	6
075	QY00000011	TAPPING SCREW 3X12	EA	2
076	QY00000011	TAPPING SCREW 3X12	EA	6
077	QY00000011	TAPPING SCREW 3X12	EA	2
078	QY00000117	BATTERY COVER BASE	EA	1
079	QY00000030	PIN 2.5X73	EA	1
080	QY00000031	PIN 4X75	EA	1
081	QY00000032	BATTERY COVER PLATE	EA	1
082	QY00000029	LATCH	EA	1
083	QY00000115	PIN	EA	1
084	QY00000017	TAPPING SCREW 3.5X14	EA	4
085	QY00000017	TAPPING SCREW 3.5X14	EA	4
086	QY00000017	TAPPING SCREW 3.5X14	EA	4
087	QY00000017	TAPPING SCREW 3.5X14	EA	2
088	QY00000017	TAPPING SCREW 3.5X14	EA	2
089	QY00000017	TAPPING SCREW 3.5X14	EA	2
090	QY00000011	TAPPING SCREW 3X12	EA	4
A01	QY00000133	POWER SUPPLY CORD	EA	1